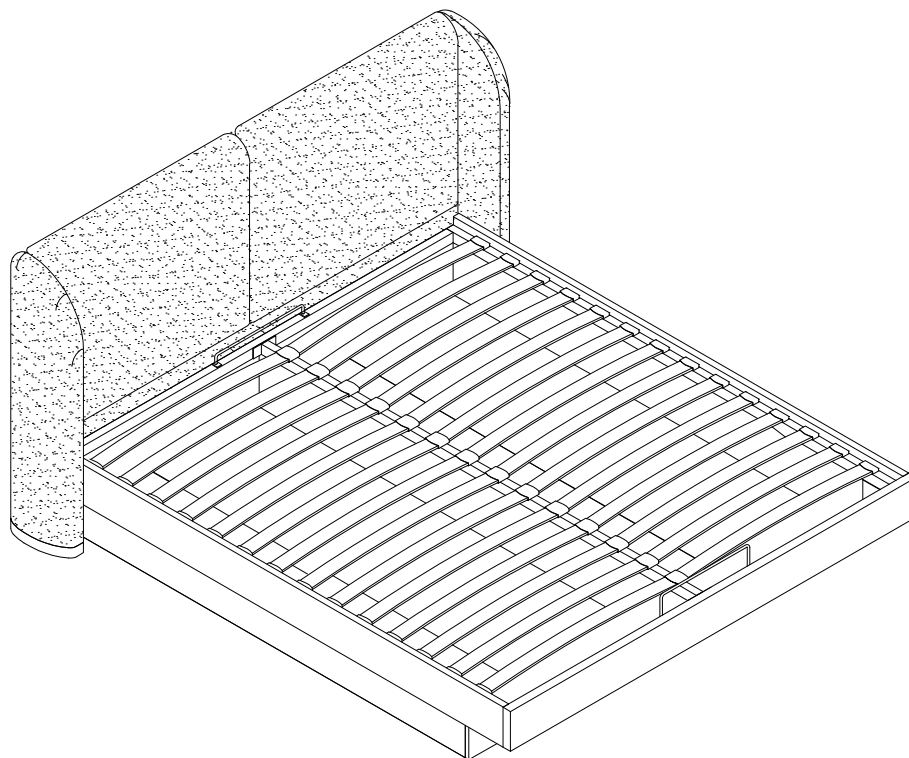


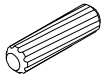
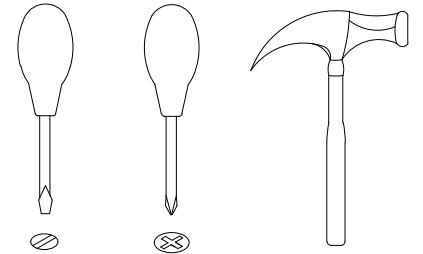
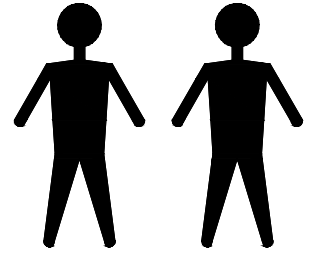


VC.NOC.BD.21LM.1

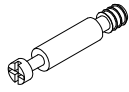


**EAC**

# VC.NOC.BD.21LM.1



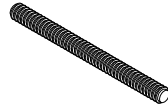
A x12  
Spec:  $\phi 8 * L30$



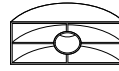
B x16  
Spec:  $\phi 7 * L30$



C x16  
Spec:  $\phi 15 * H12$



D x4  
Spec:  $M8 * L95$



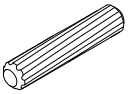
E x4  
Spec:



F x4  
Spec: M8



G x1  
Spec: 10g



H x8  
Spec:  $\phi 10 * L40$



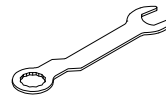
I x12  
Spec:  $M6 * L30$



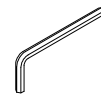
J x12  
Spec:  $\phi 8 * \phi 14$



L x4  
Spec:  $\phi 38$



M x1  
Spec: 14#



N x1  
Spec: 4#



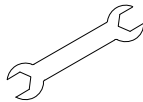
O x8  
Spec:  $M6 * L50$



P x4  
Spec: M6



Q x4  
Spec:  $\phi 6 * \phi 18$



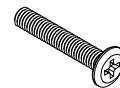
R x1  
Spec: 10mm



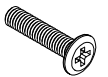
S x8  
Spec:  $\phi 6 * L15$



T x8  
Spec:  $\phi 6 * L15$



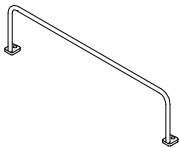
U x4  
Spec:  $M6 * L55$



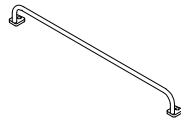
V x6  
Spec:  $M6 * L50$



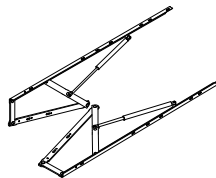
W x10  
Spec: M6



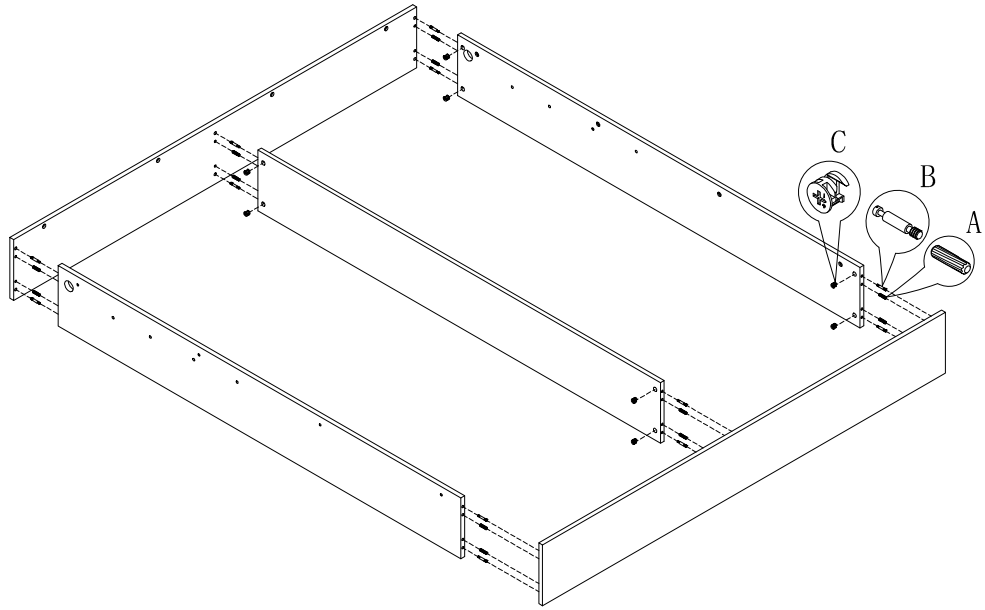
X x1  
Spec: L410mm



Y x1  
Spec: L410mm

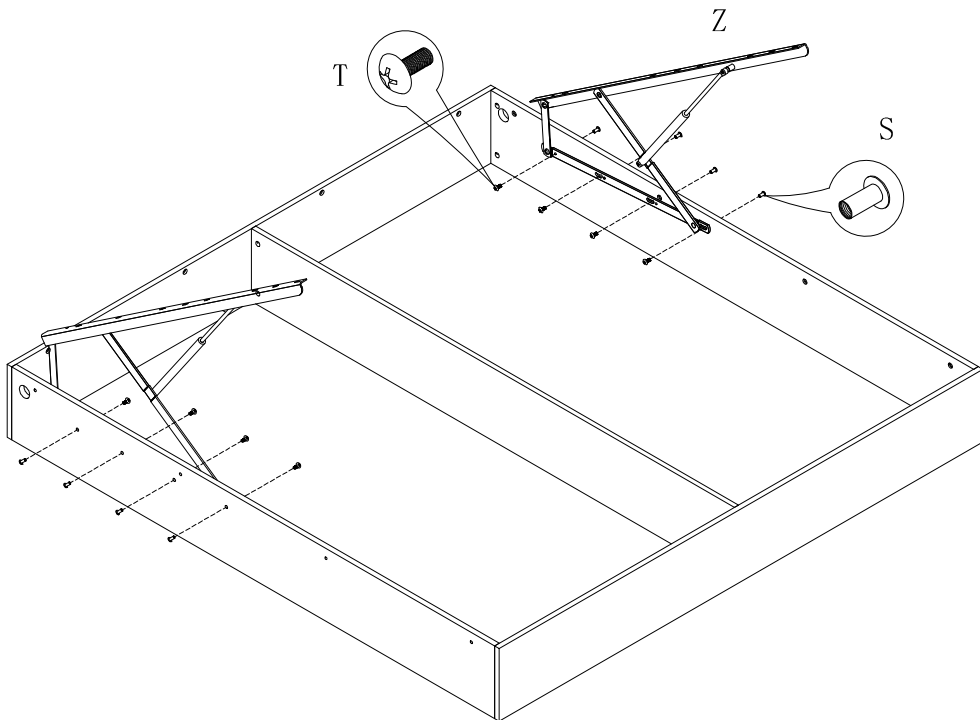


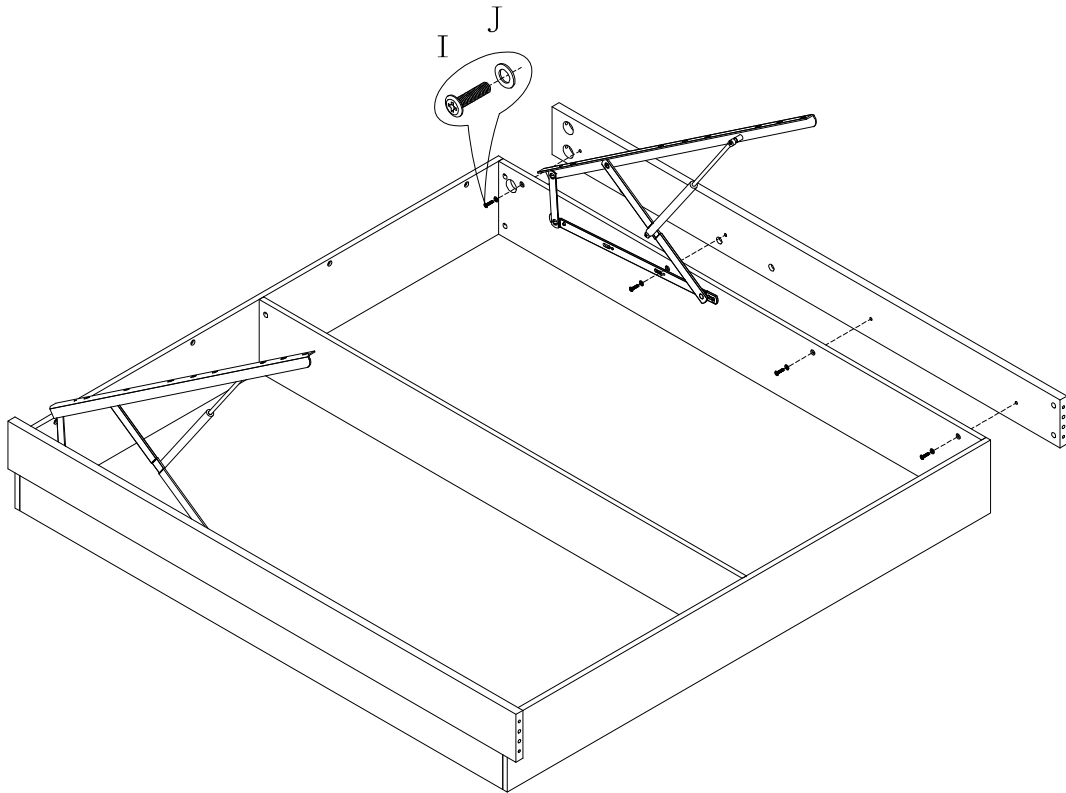
Z x1  
Spec: L1220mm



1

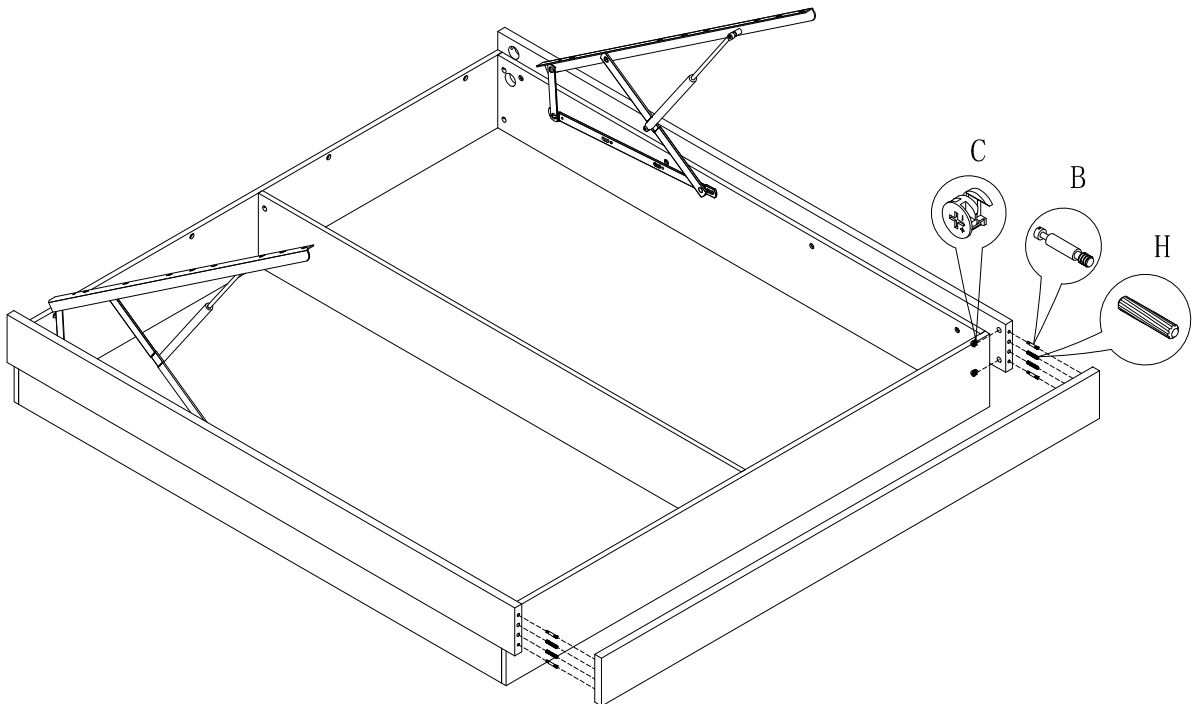
2

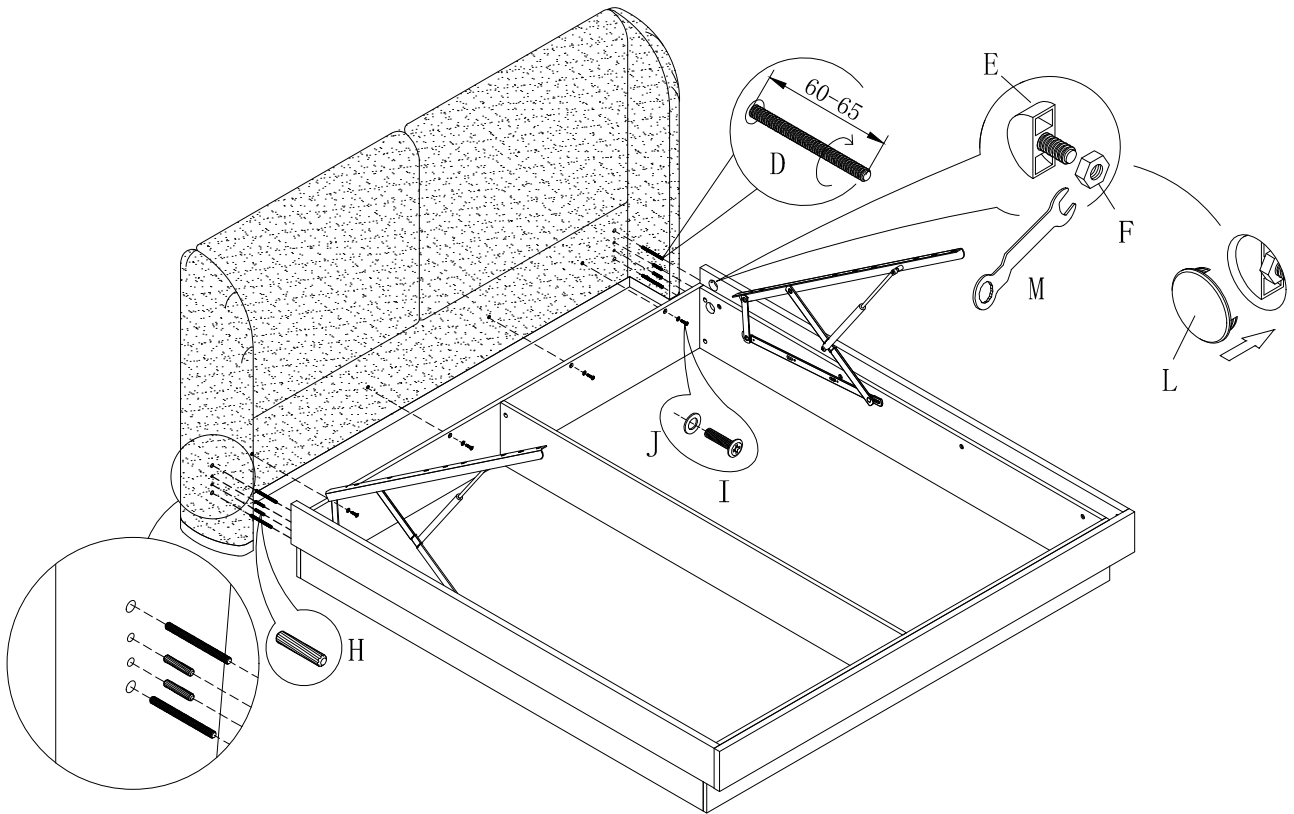




3

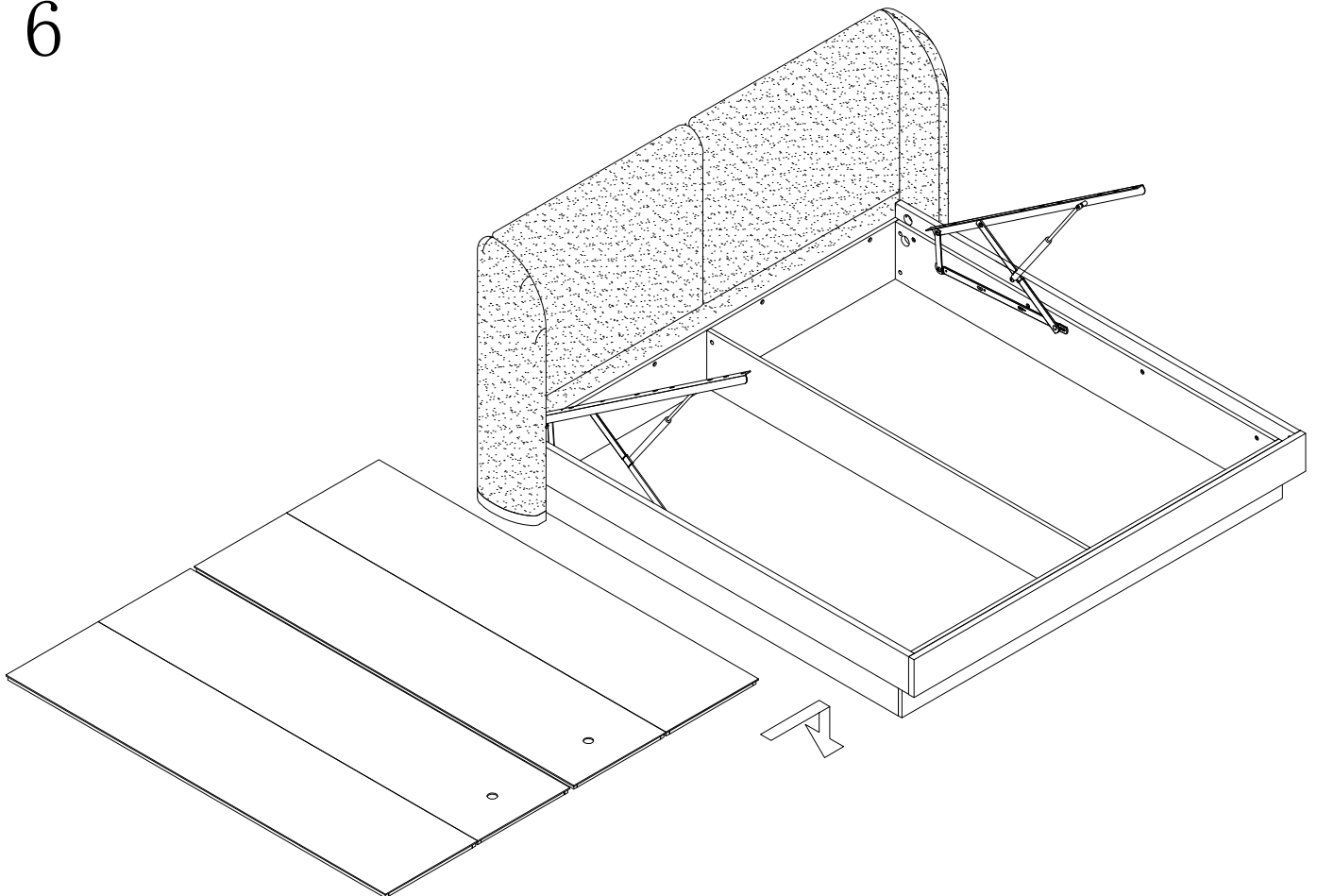
4

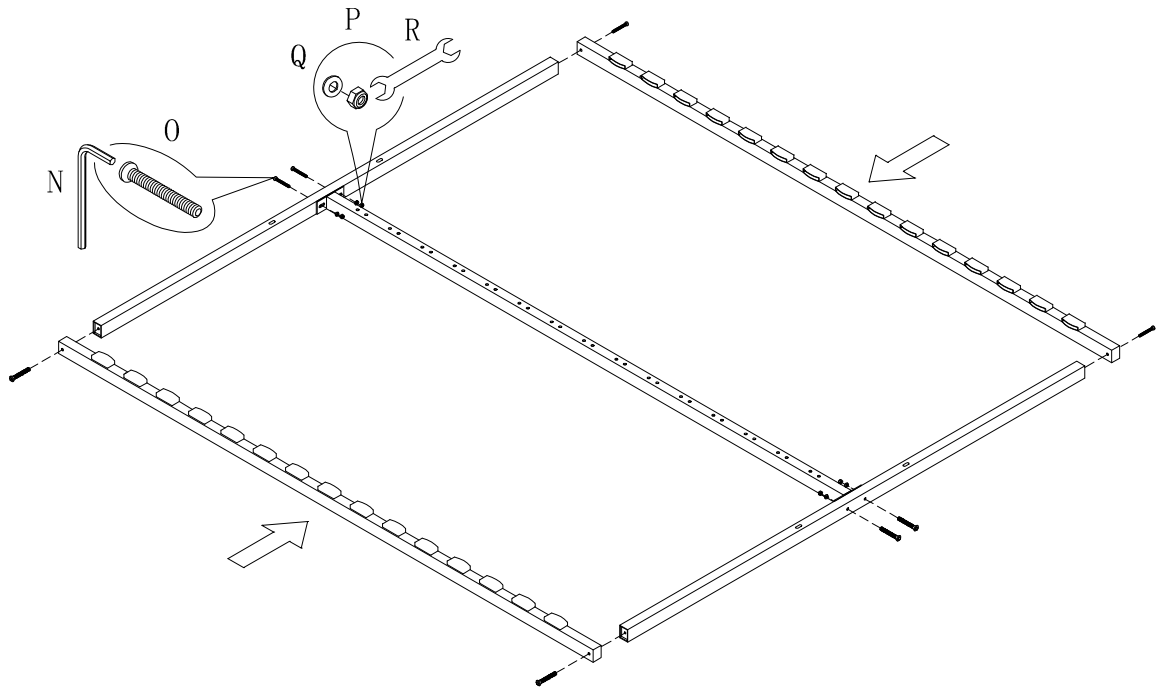




5

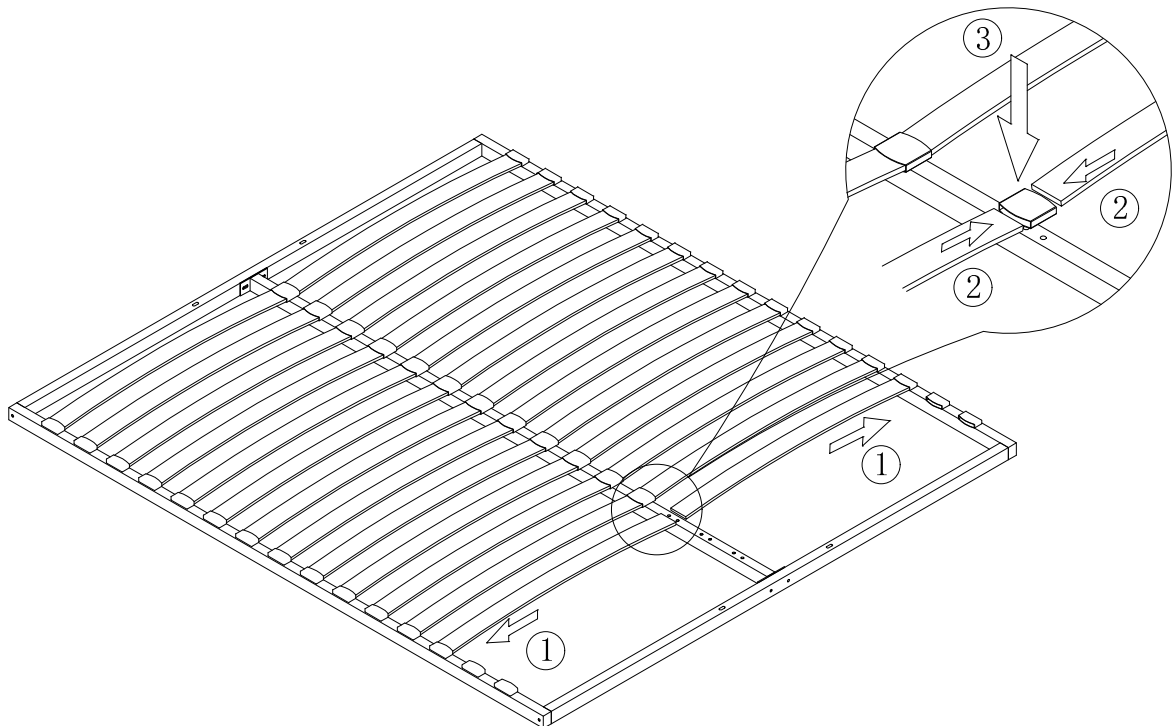
6

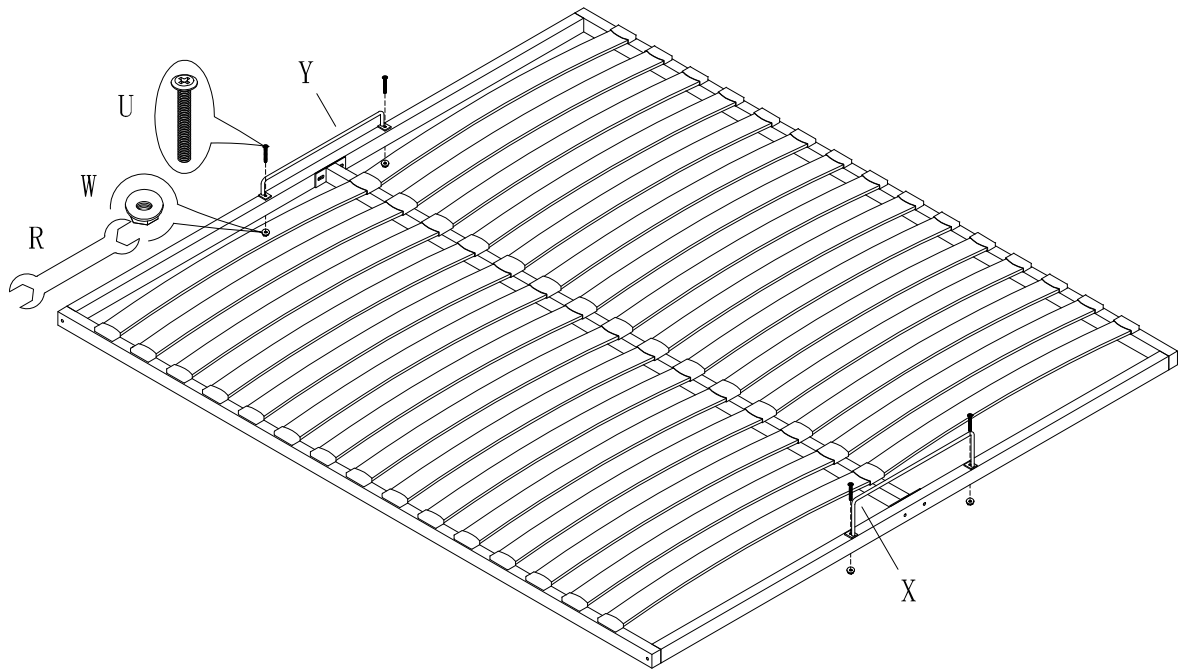




7

8





9

10

