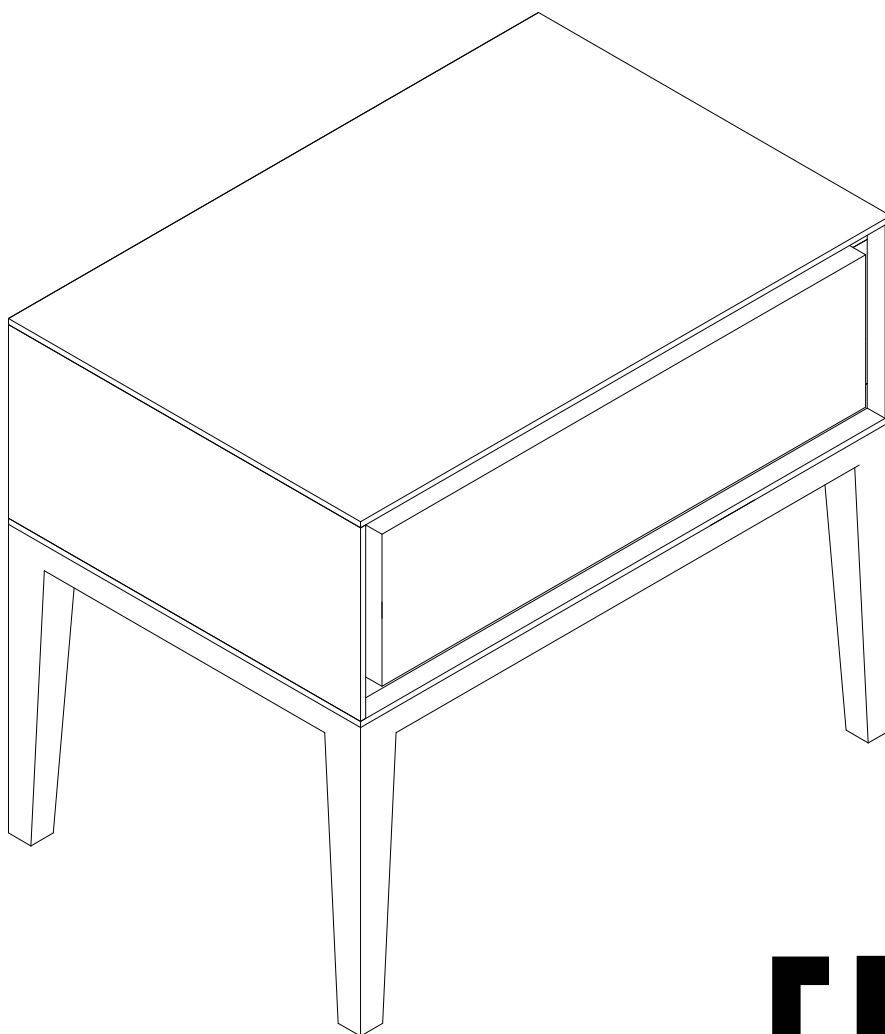


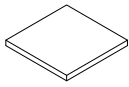
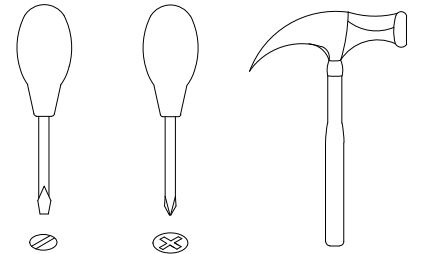
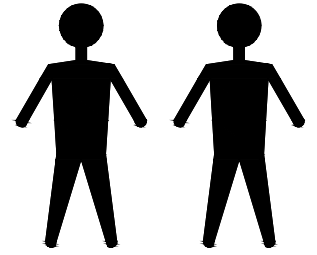


VC.NOC.BT.25.1



EAC

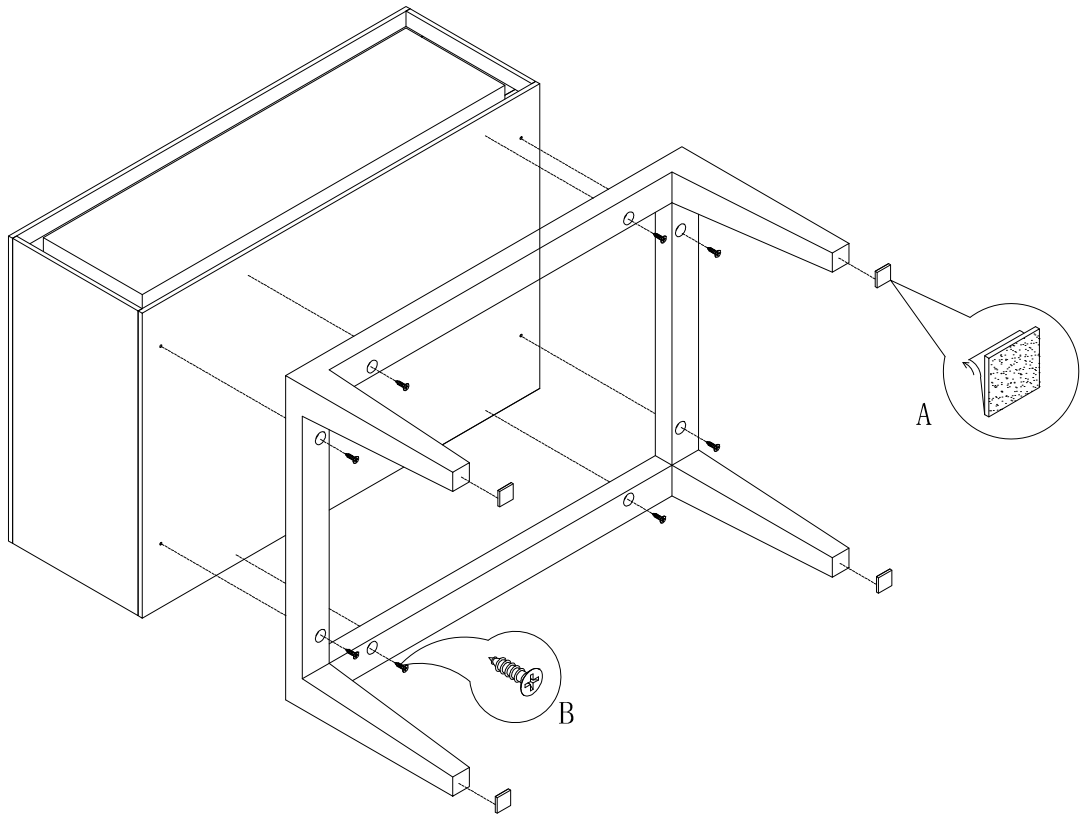
VC.NOC.BT.25.1



A x4
Spec:20*20

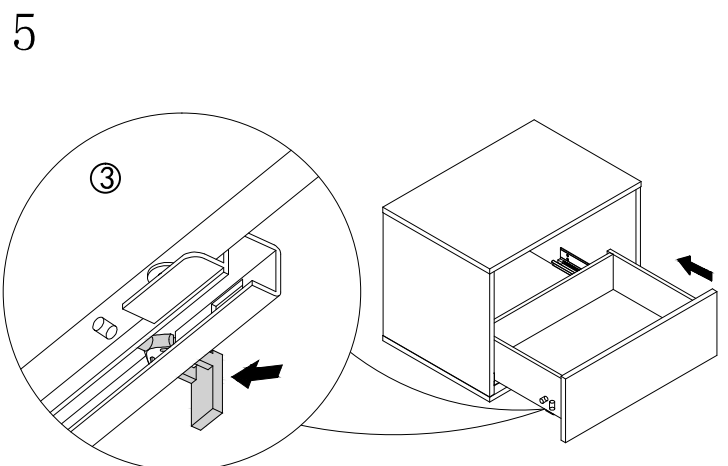
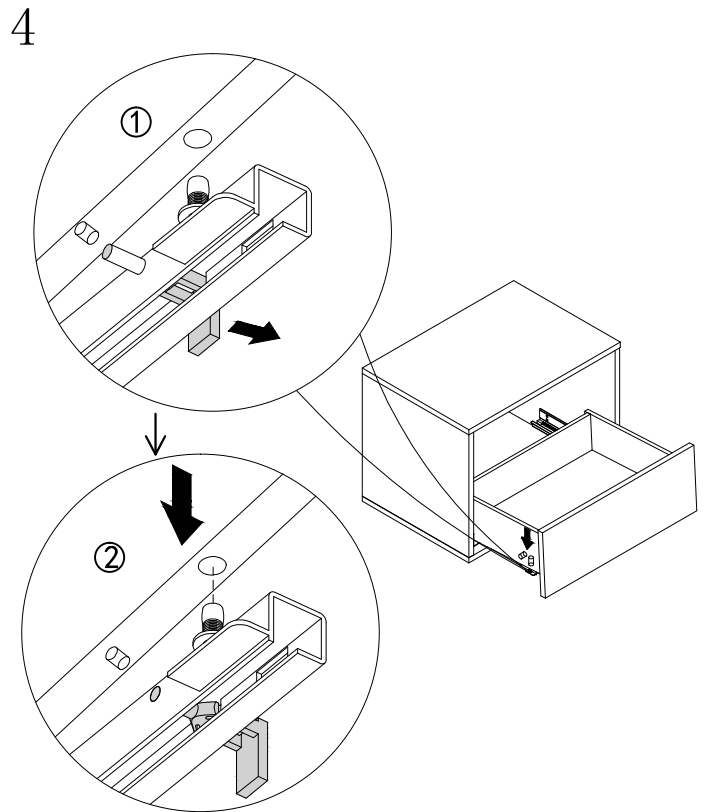
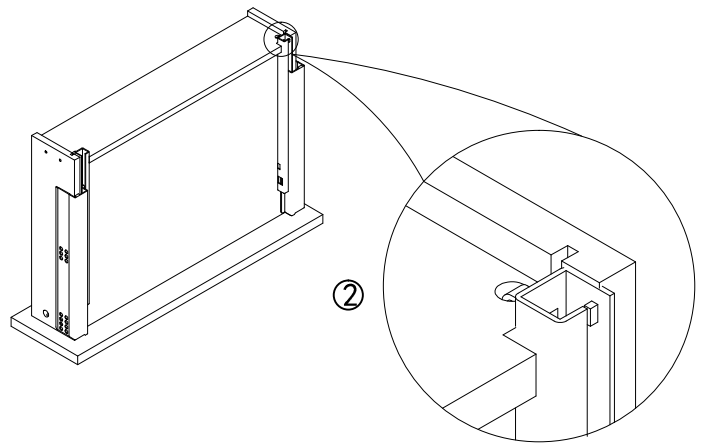
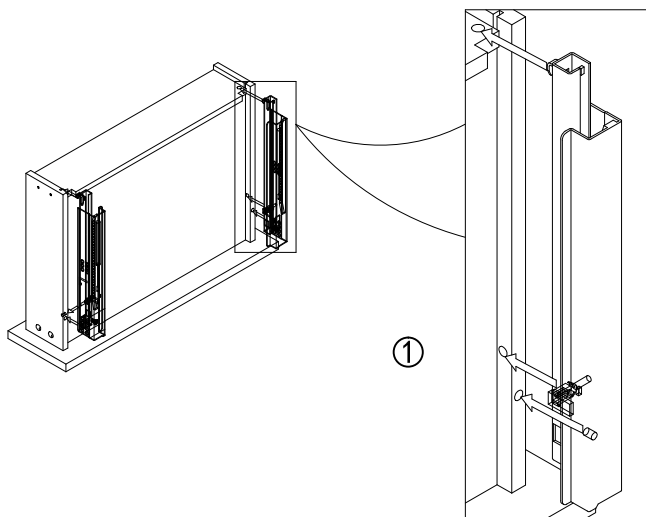
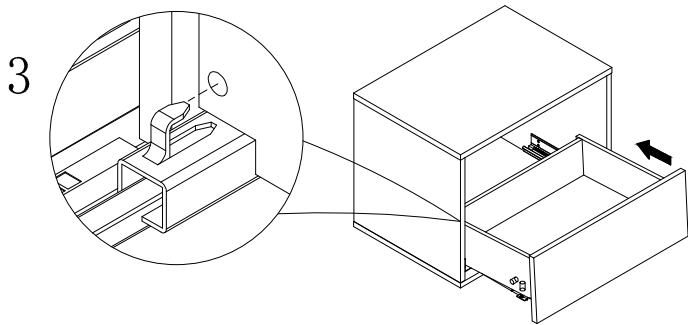
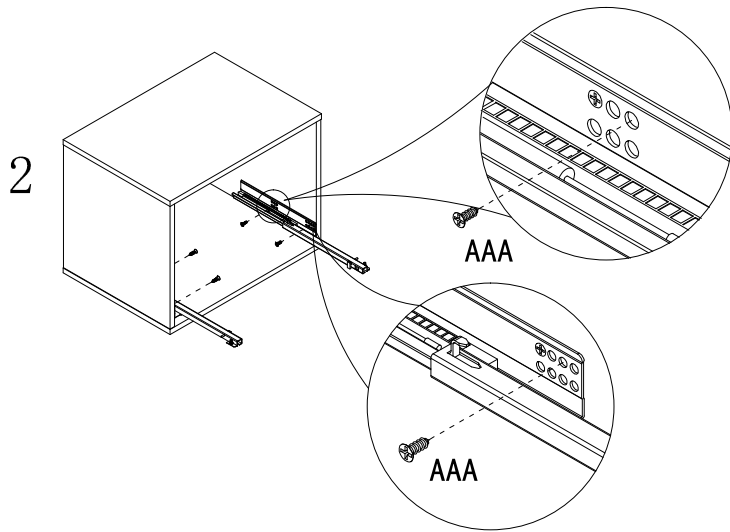
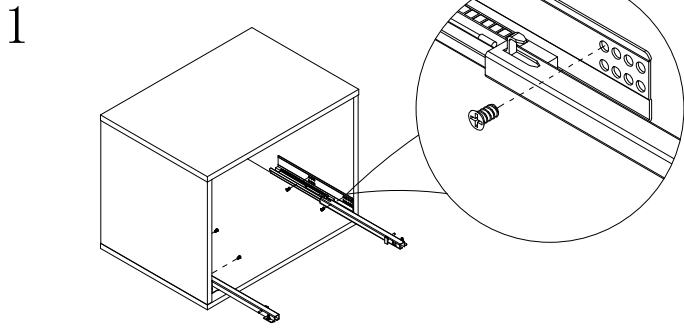


B x8
Spec:3.8*L16



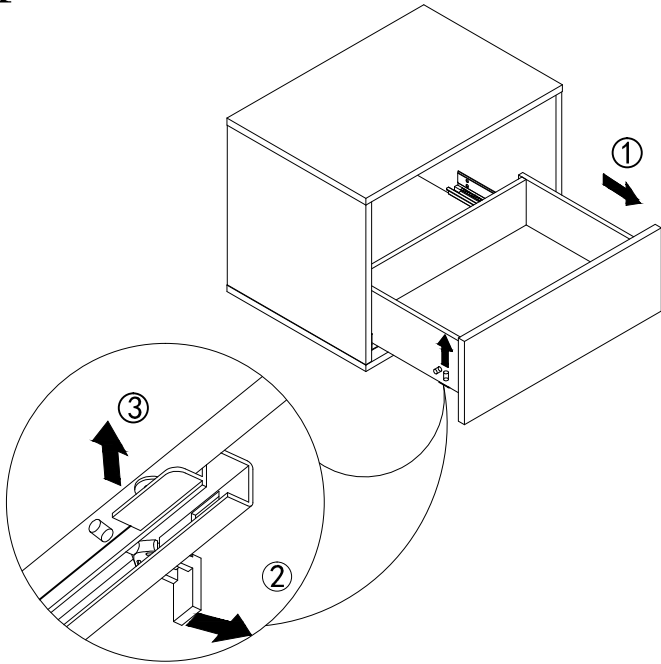
1

Drawer assembly

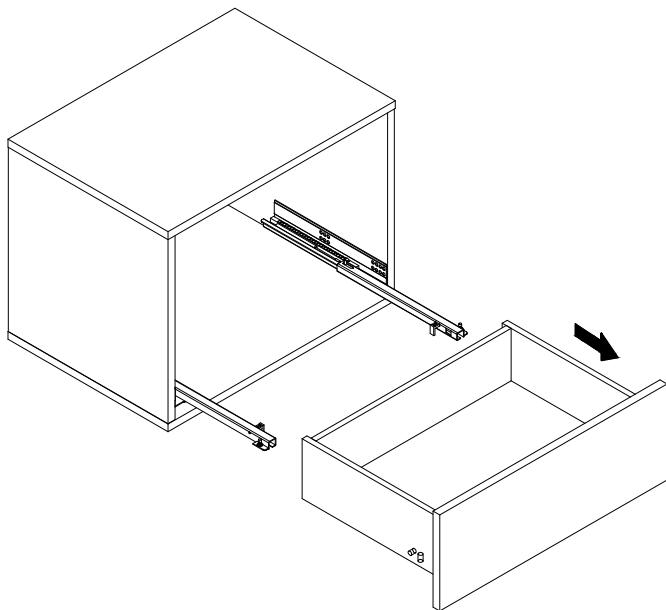


Drawer Renival

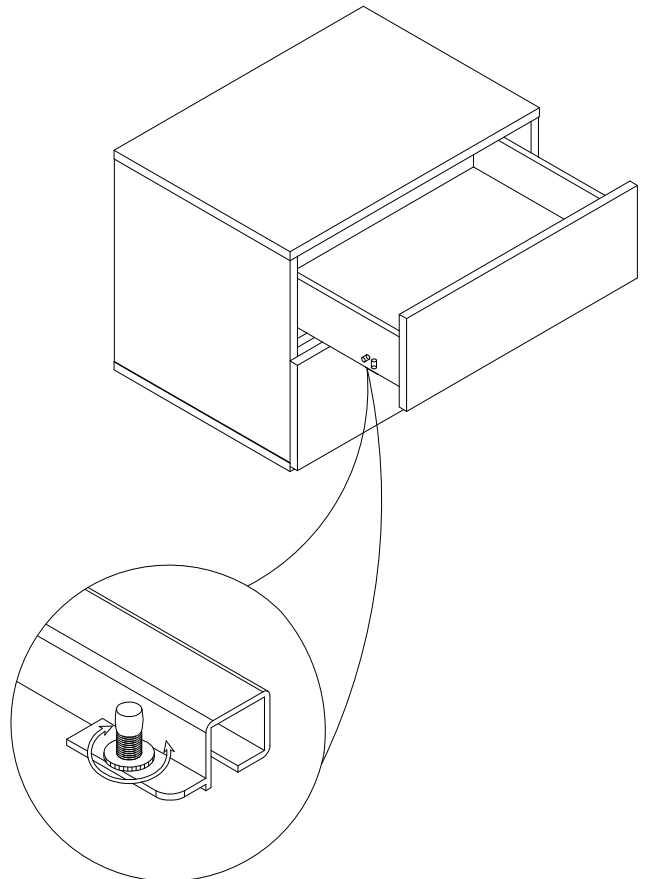
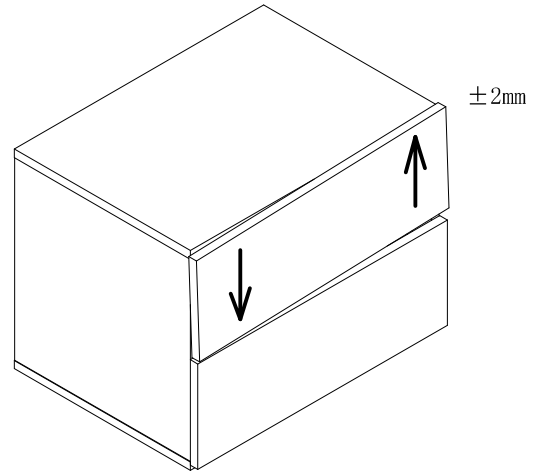
1

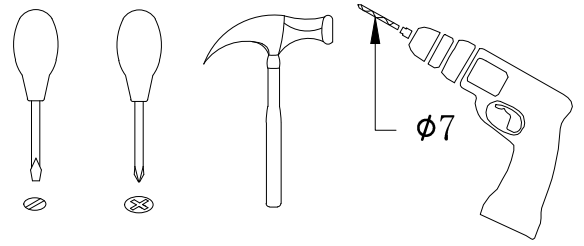




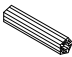

2



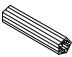



Adjustable Method





- 
AA1 x1
 Spec: L215*W25
- 
AA2 x1
 Spec: $\phi 3.8$ *L16
- 
AA3 x1
 Spec: $\phi 7$ *L26
- 
AA4 x1
 Spec: $\phi 3.8$ *L32

- 
BB1 x2
 Spec: L215*W25
- 
BB2 x2
 Spec: $\phi 3.8$ *L16
- 
BB3 x2
 Spec: $\phi 7$ *L26
- 
BB4 x2
 Spec: $\phi 3.8$ *L32

