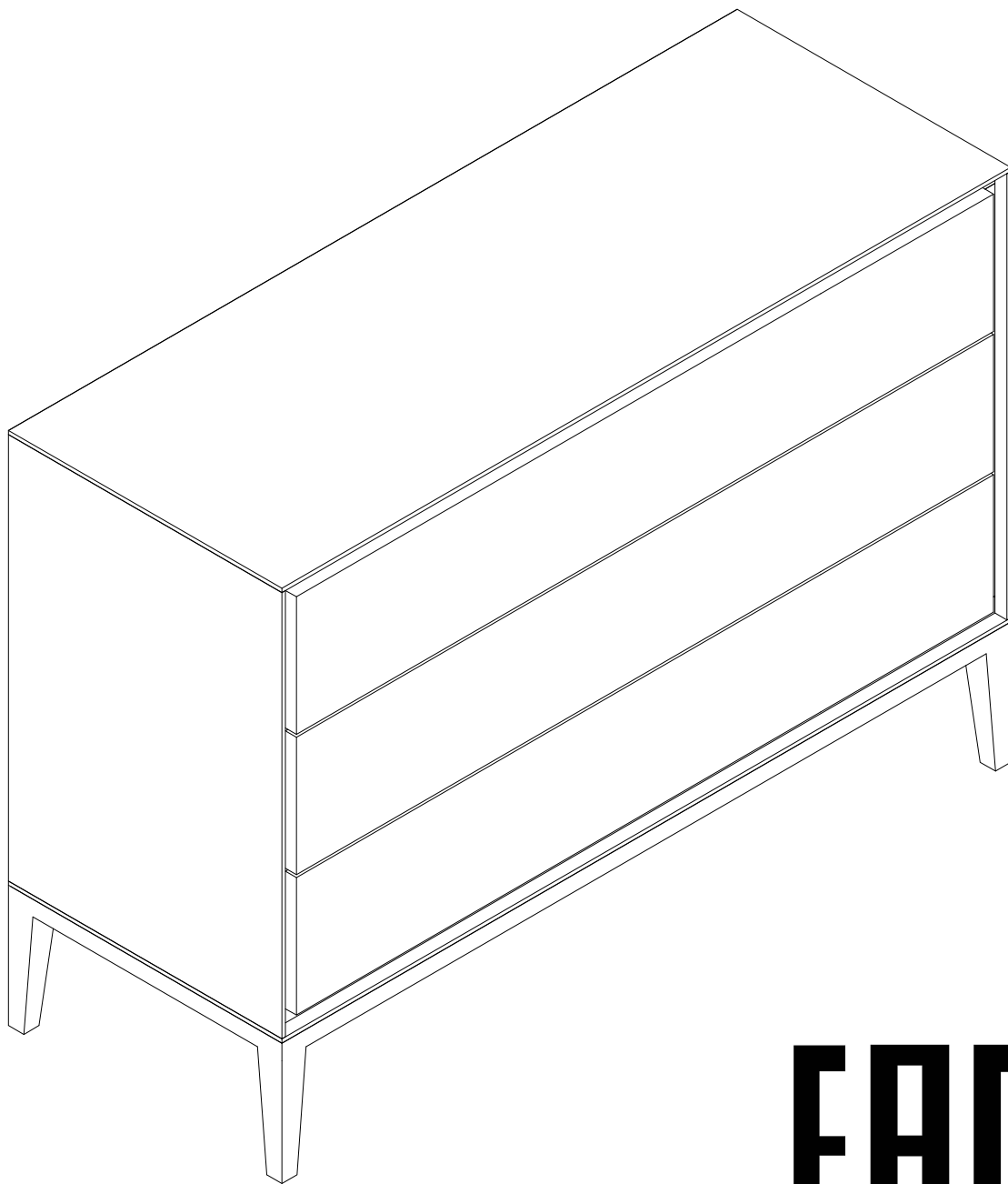


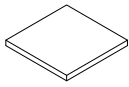
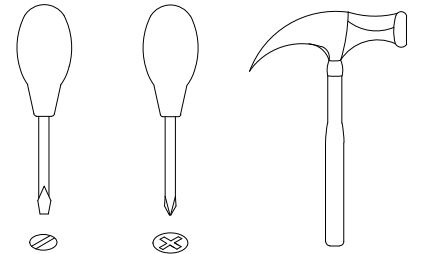
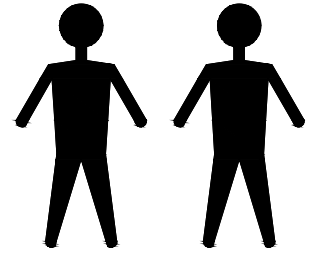


VC.NOC.DR.27.1



EAC

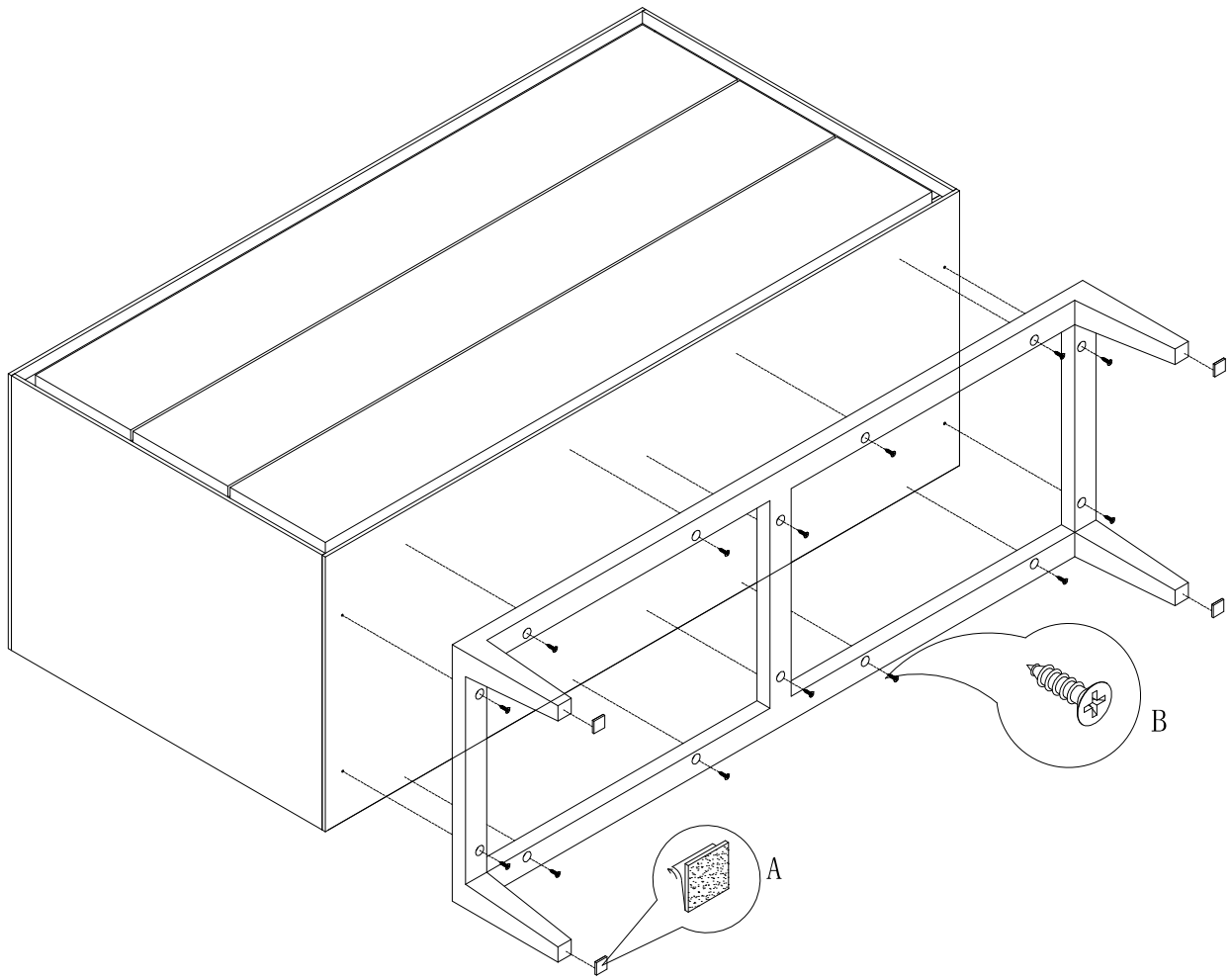
VC.NOC.DR.27.1



A x4
Spec:20*20

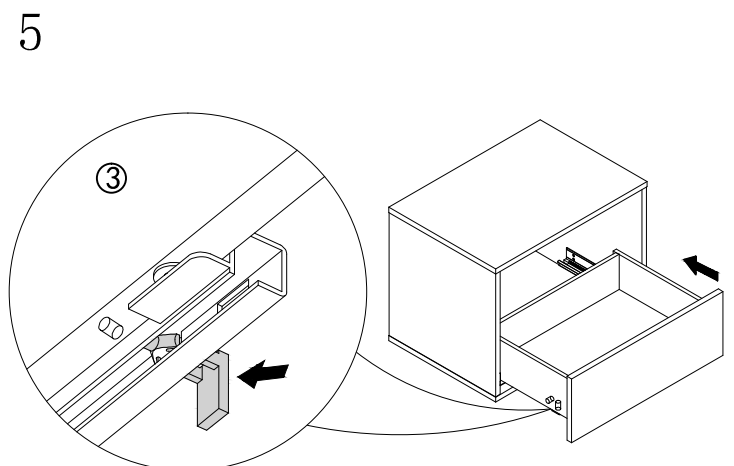
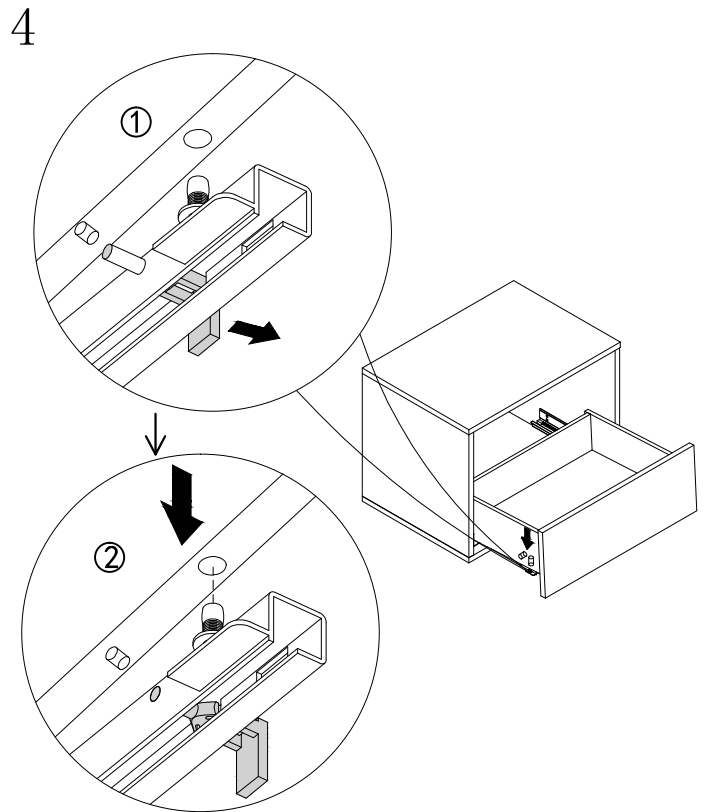
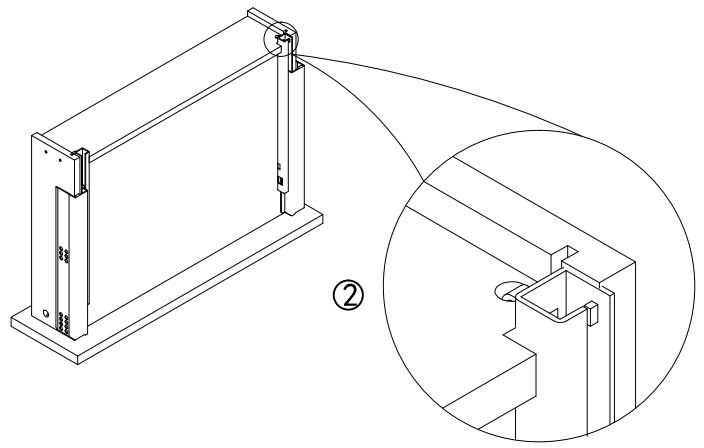
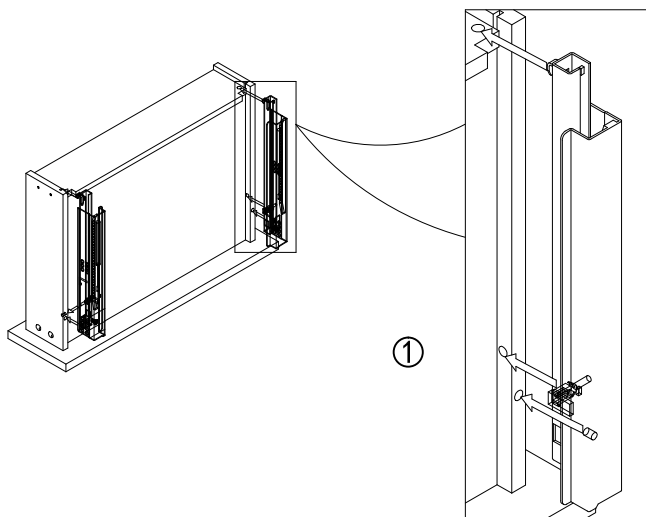
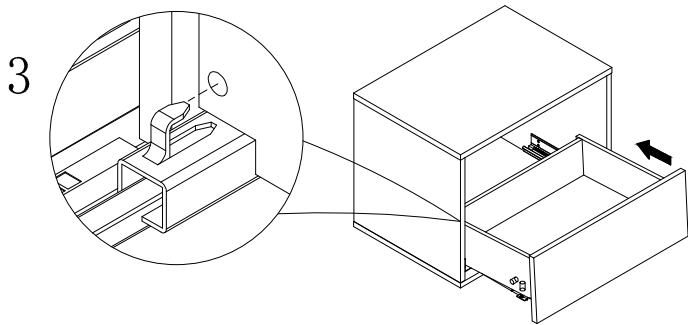
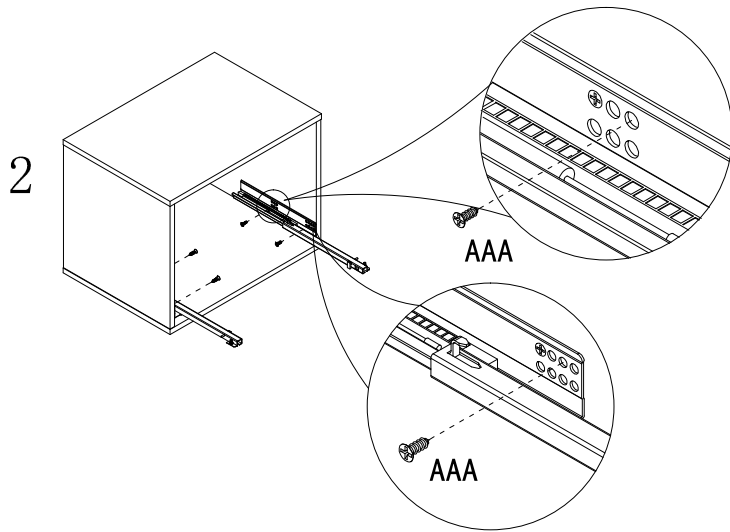
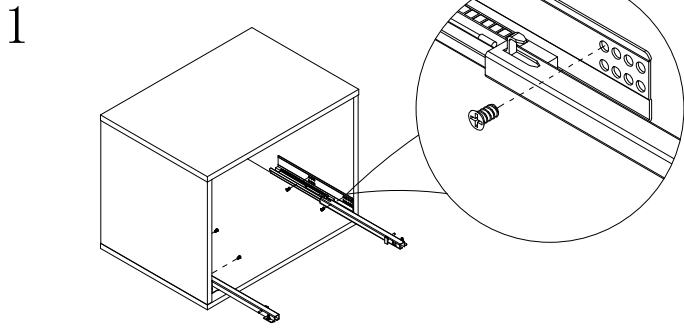


B x14
Spec:3.8*L16



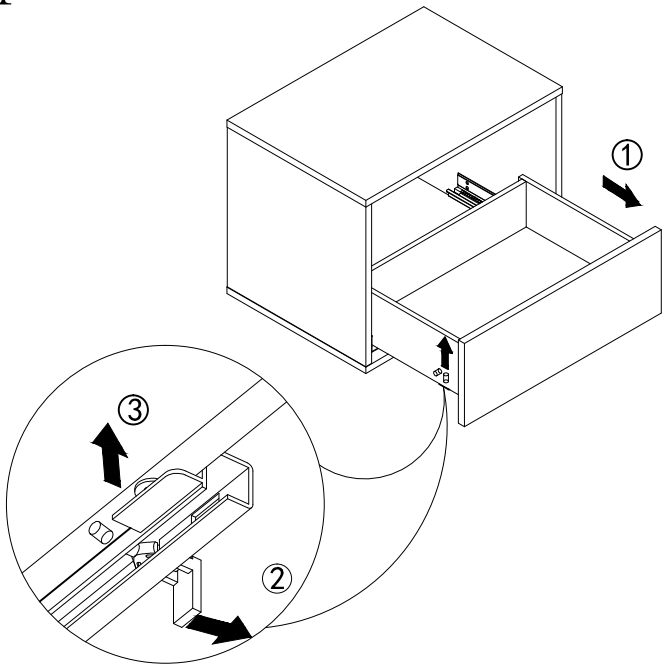
1

Drawer assembly

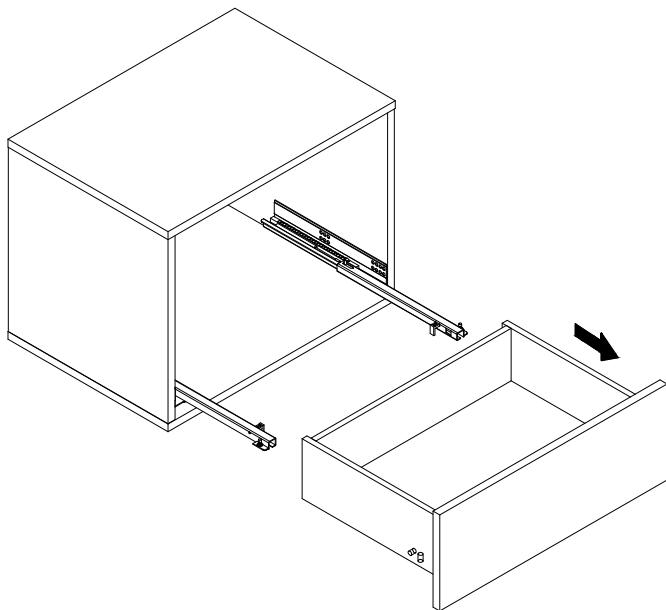


Drawer Renival

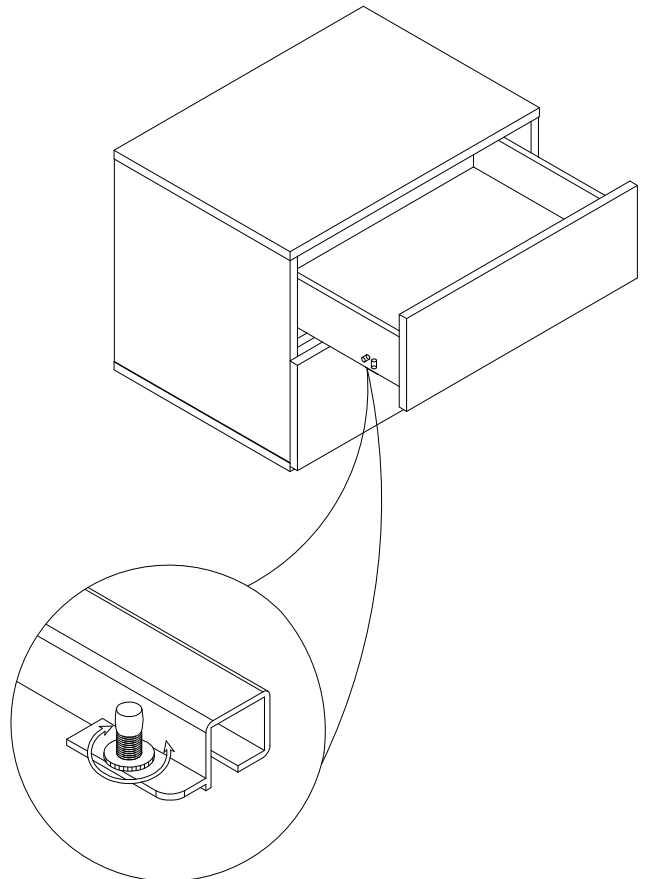
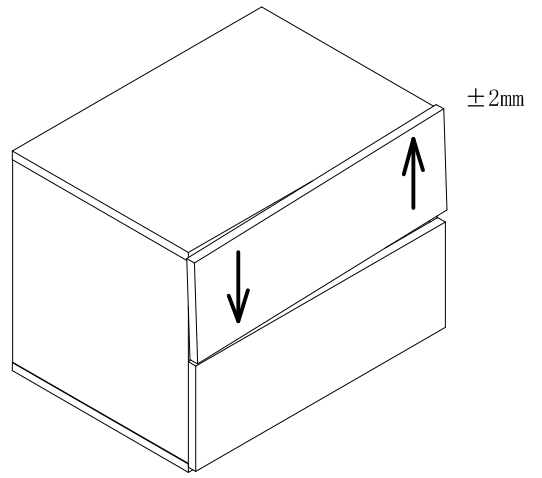
1

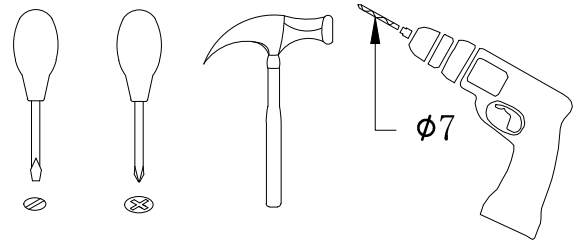




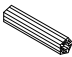

2



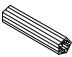



Adjustable Method





- 
 AA1 x1
 Spec: L215*W25
- 
 AA2 x1
 Spec: φ3.8*L16
- 
 AA3 x1
 Spec: φ7*L26
- 
 AA4 x1
 Spec: φ3.8*L32

- 
 BB1 x2
 Spec: L215*W25
- 
 BB2 x2
 Spec: φ3.8*L16
- 
 BB3 x2
 Spec: φ7*L26
- 
 BB4 x2
 Spec: φ3.8*L32

