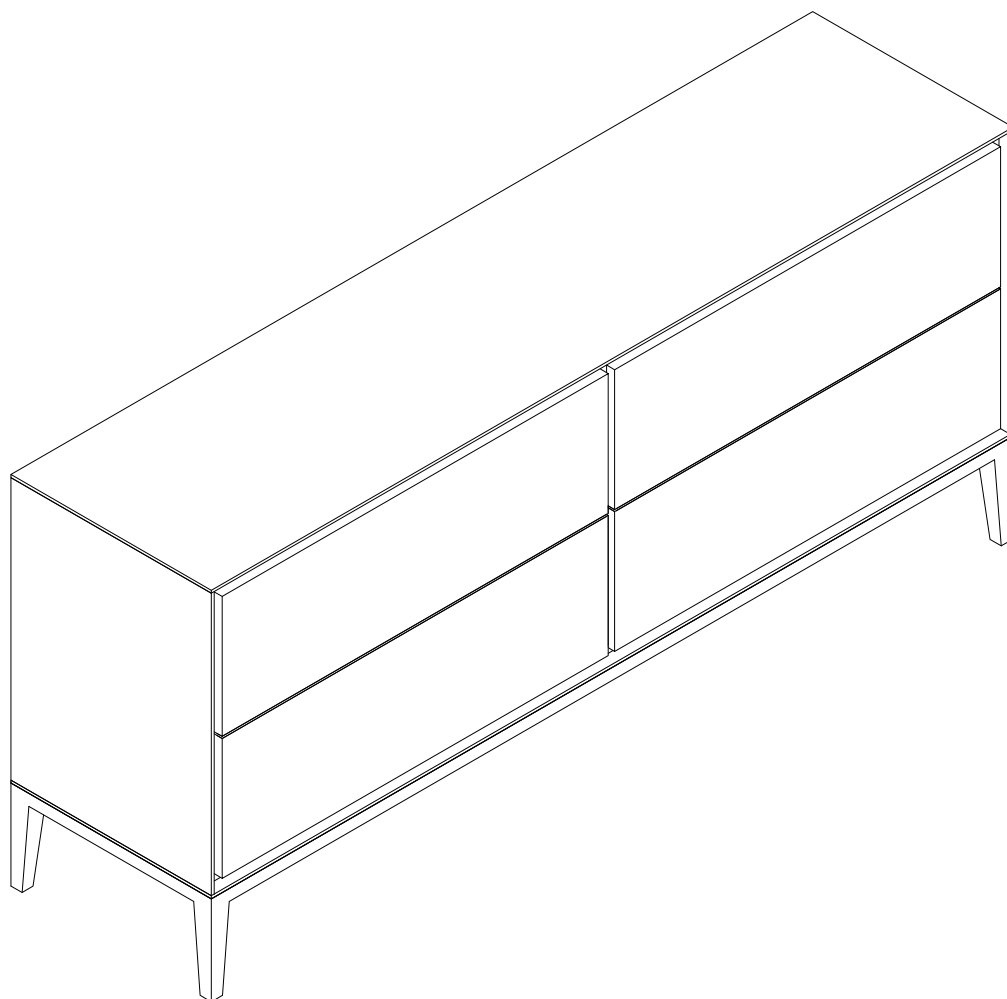


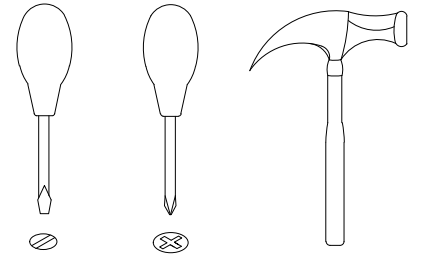
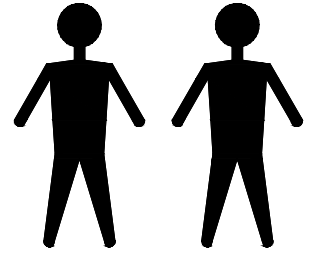


VC.NOC.SB.15.1

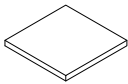


EAC

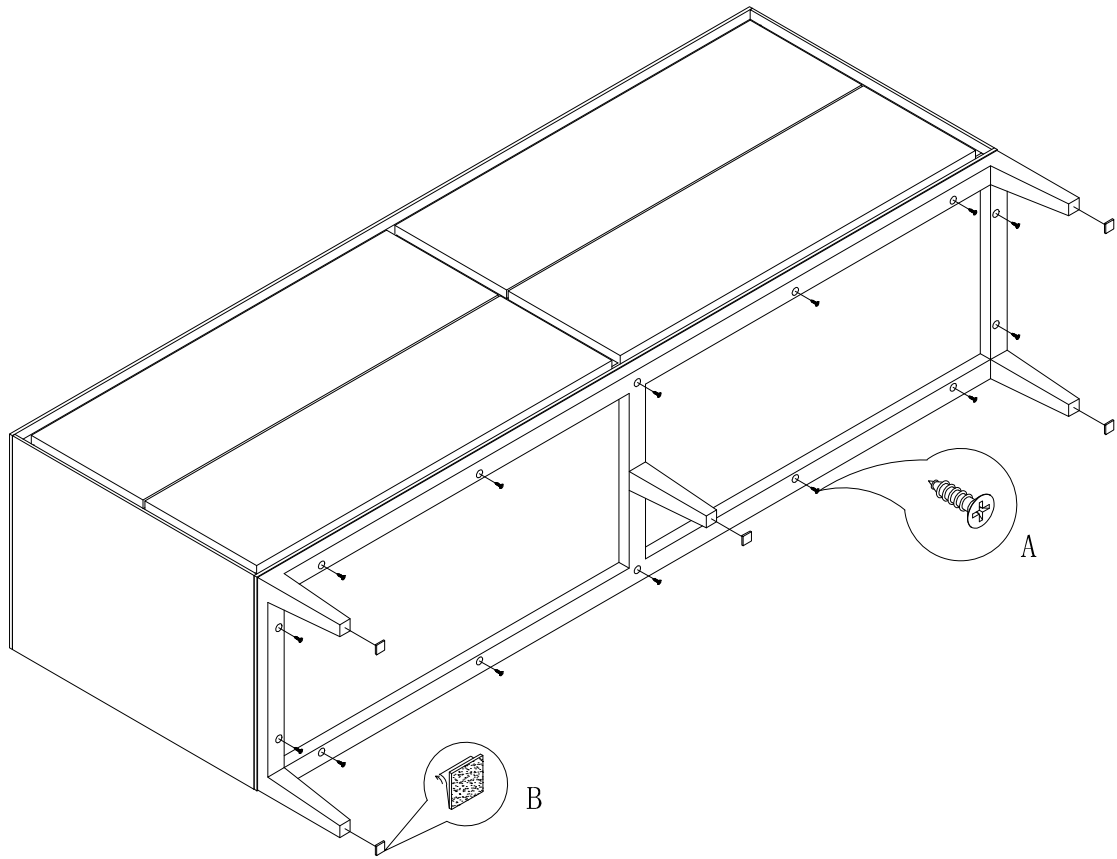
VC.NOC.SB.15.1



A x14
Spec: 3.8*L14



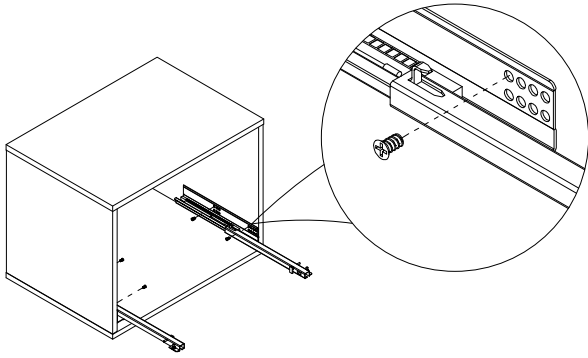
B x5
Spec: 20*20



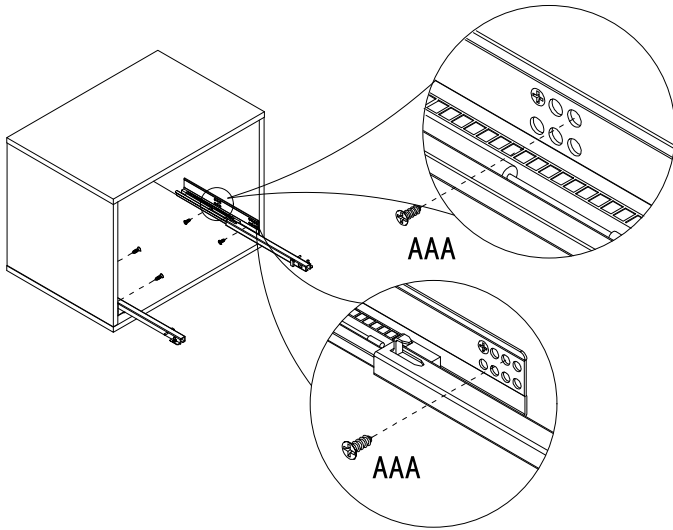
1

Drawer assembly

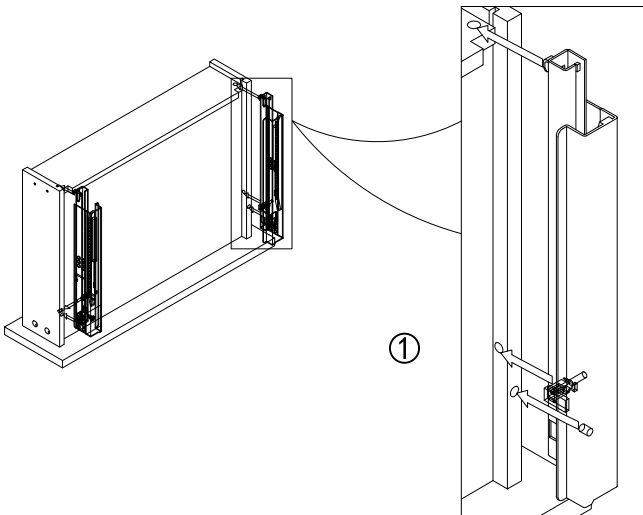
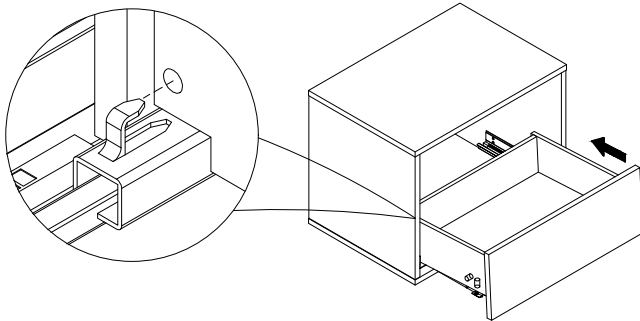
1



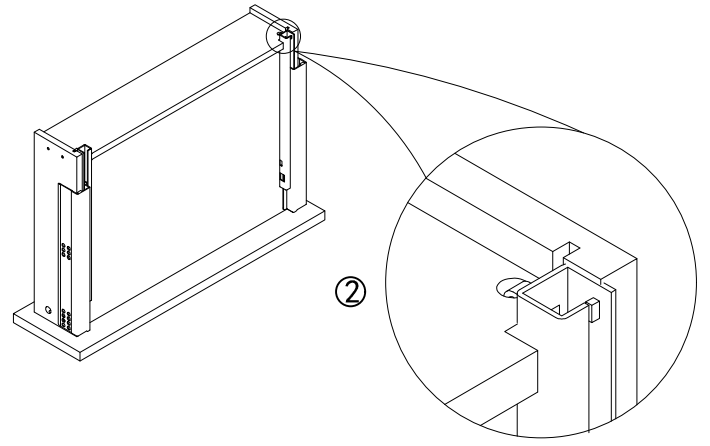
2



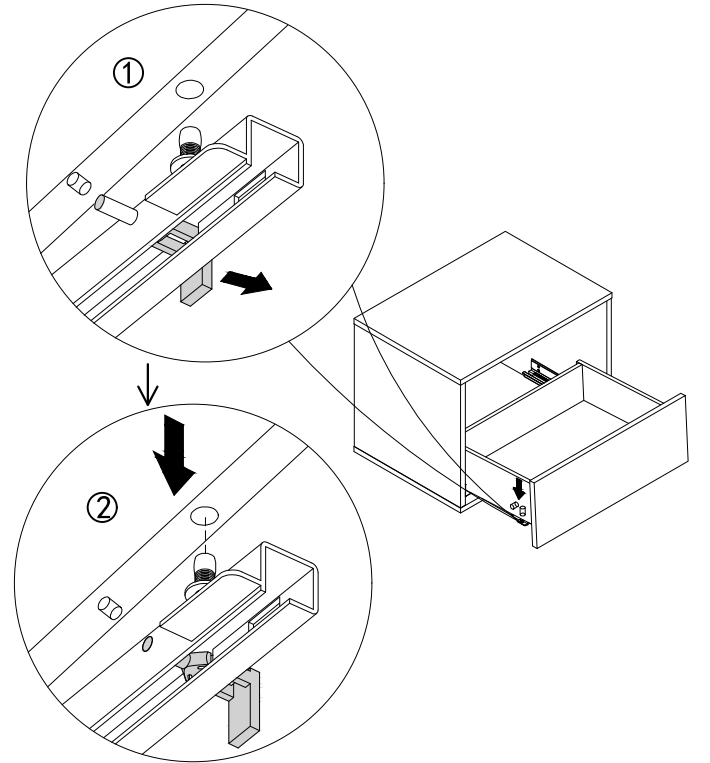
3



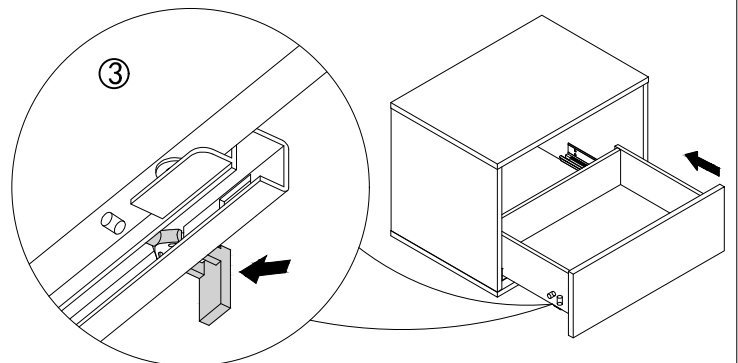
2



4

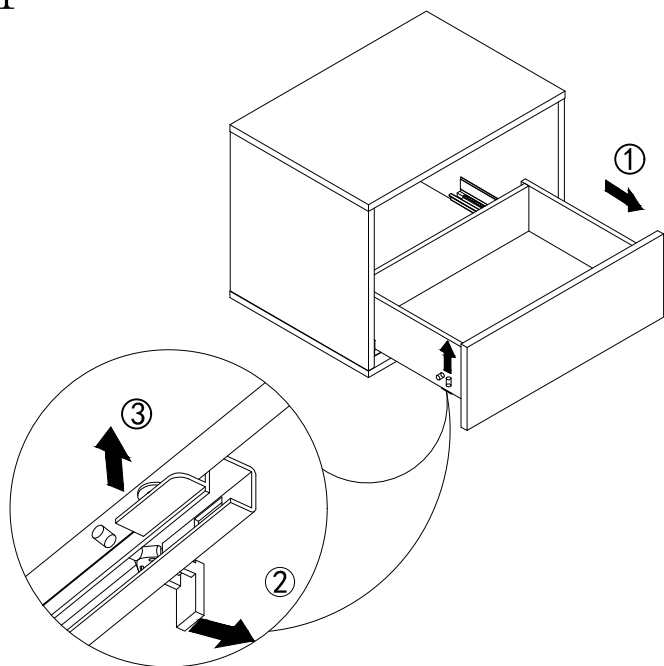


5

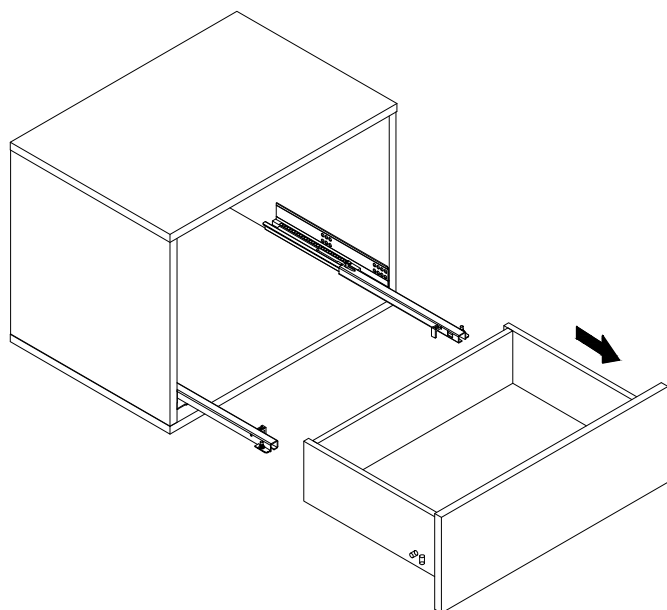


Drawer Renival

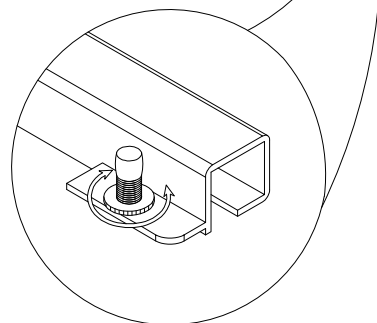
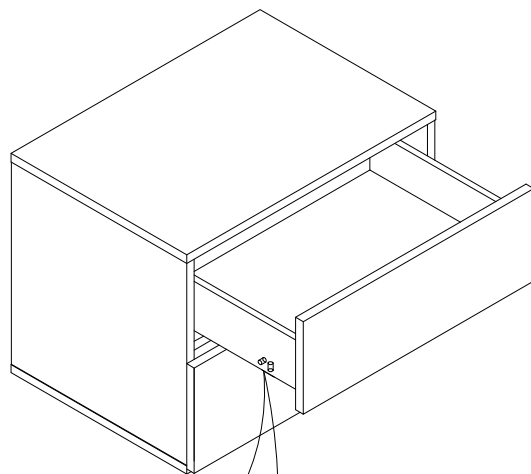
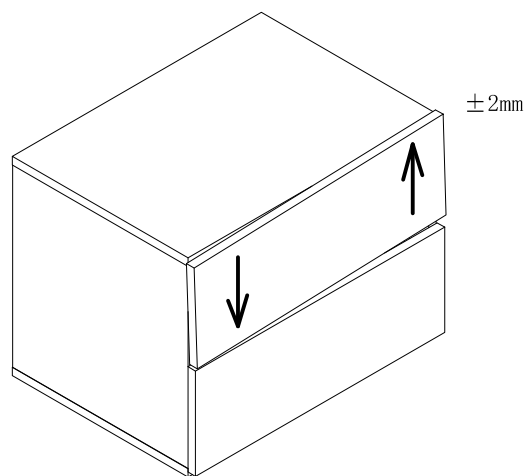
1

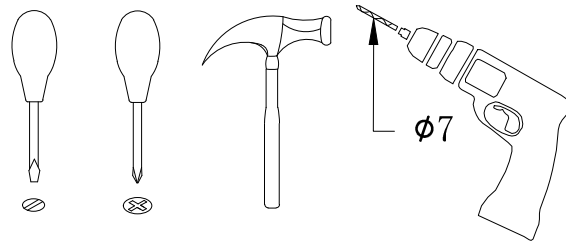




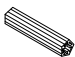

2



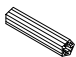



Adjustable Method





- 
AA1 x1
 Spec: L215*W25
- 
AA2 x1
 Spec: $\phi 3.8$ *L16
- 
AA3 x1
 Spec: $\phi 7$ *L26
- 
AA4 x1
 Spec: $\phi 3.8$ *L32

- 
BB1 x2
 Spec: L215*W25
- 
BB2 x2
 Spec: $\phi 3.8$ *L16
- 
BB3 x2
 Spec: $\phi 7$ *L26
- 
BB4 x2
 Spec: $\phi 3.8$ *L32

