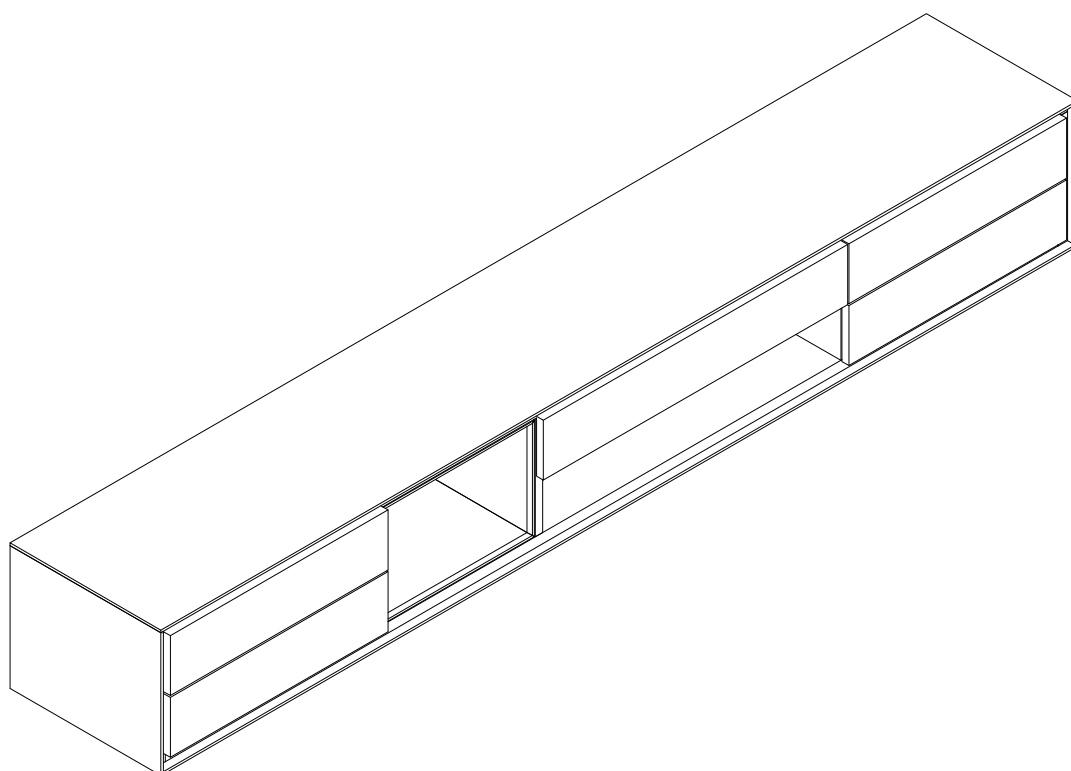


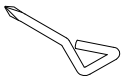
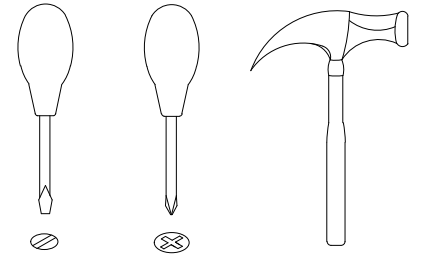
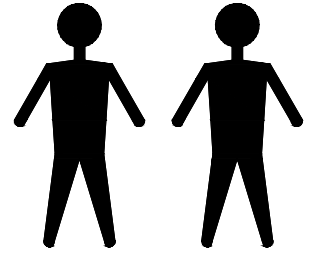


VC.NOC.TV.16.1



EAC

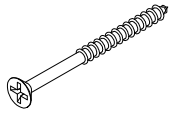
VC.NOC.TV.16.1



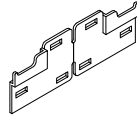
A x1
Spec:



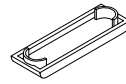
B x9
Spec: $\varnothing 8 * L50$



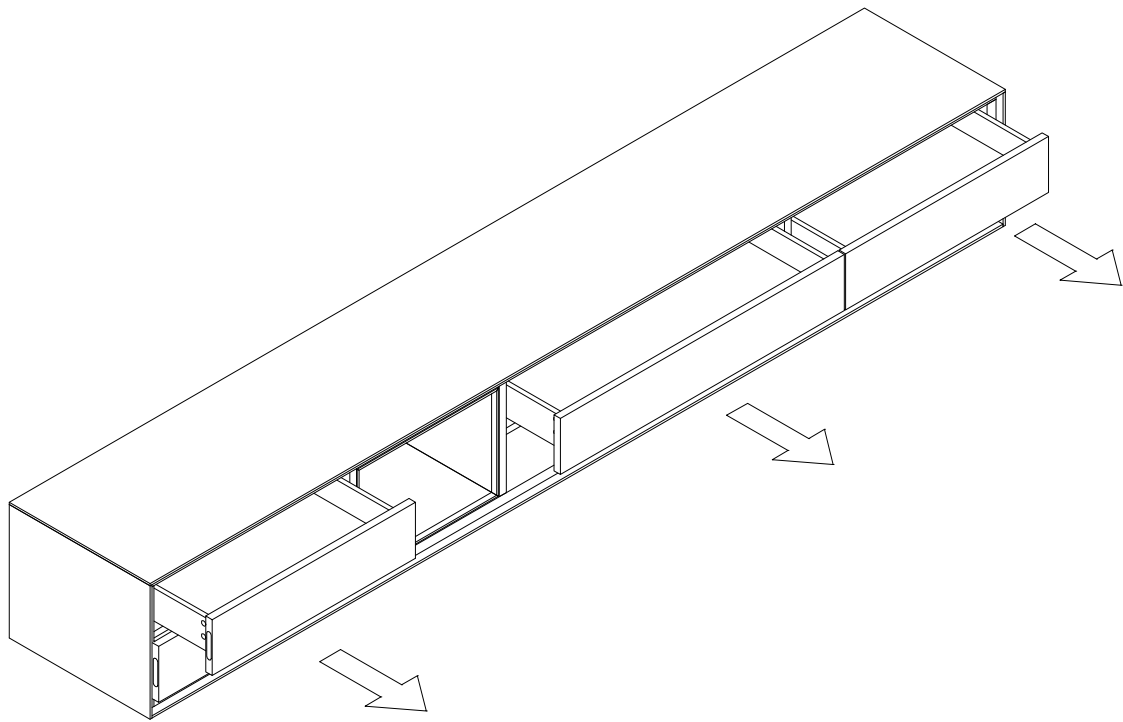
C x9
Spec: $\varnothing 4 * L60$



D x2
Spec:

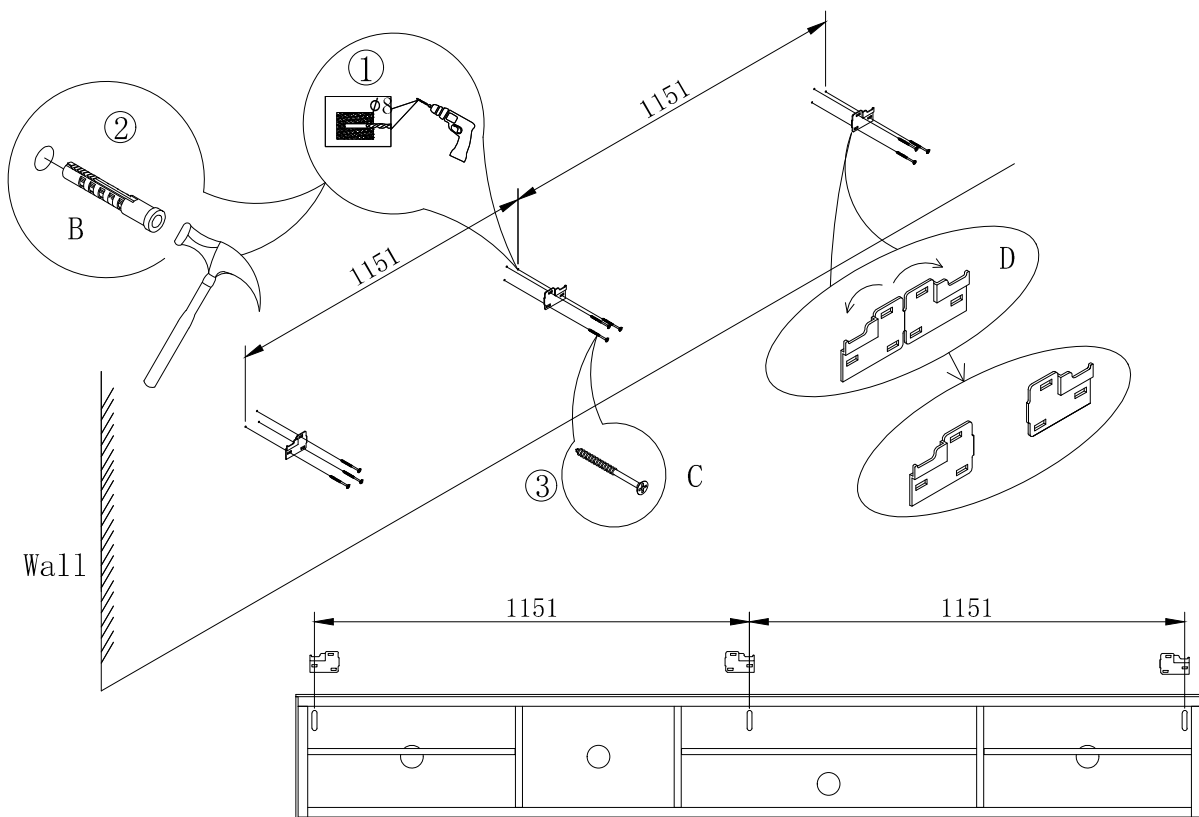


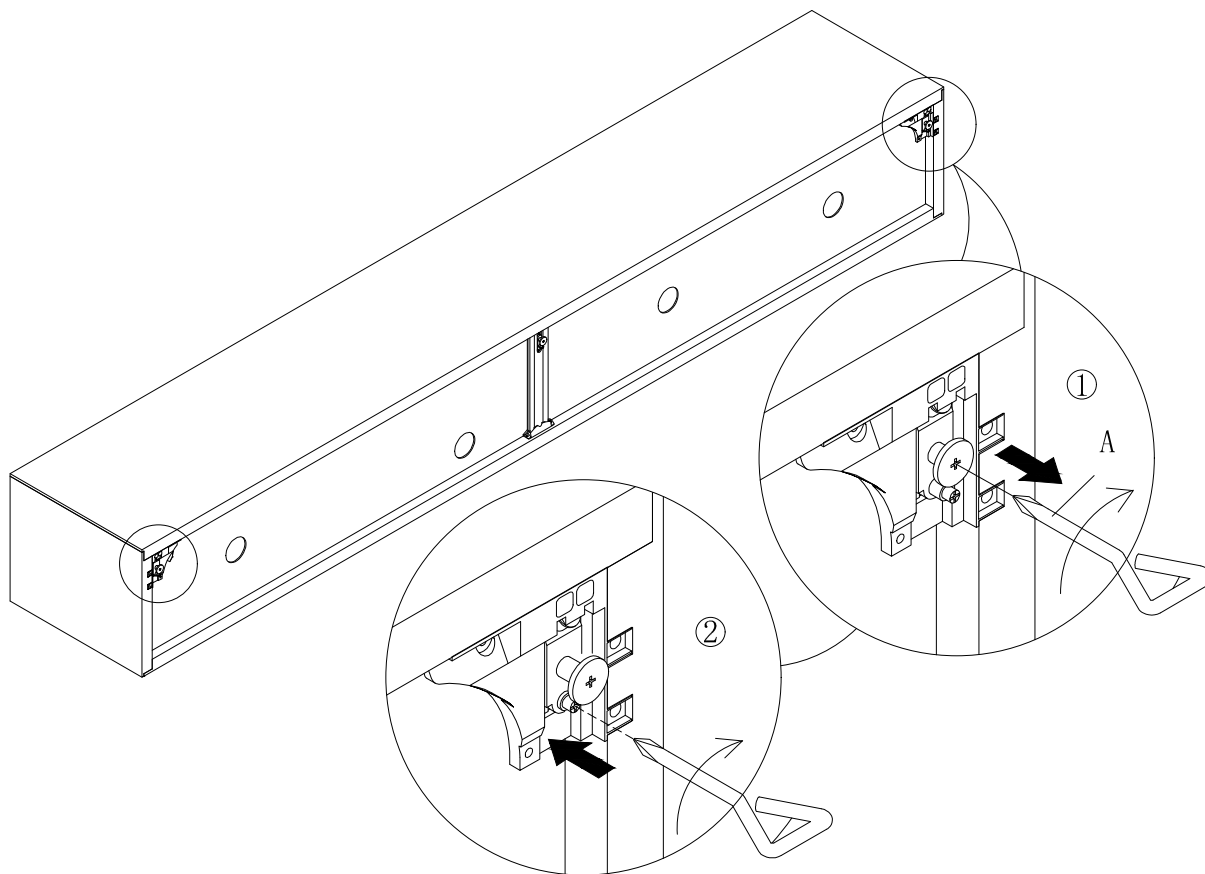
E x3
Spec: $56 * 18 * 7$



1

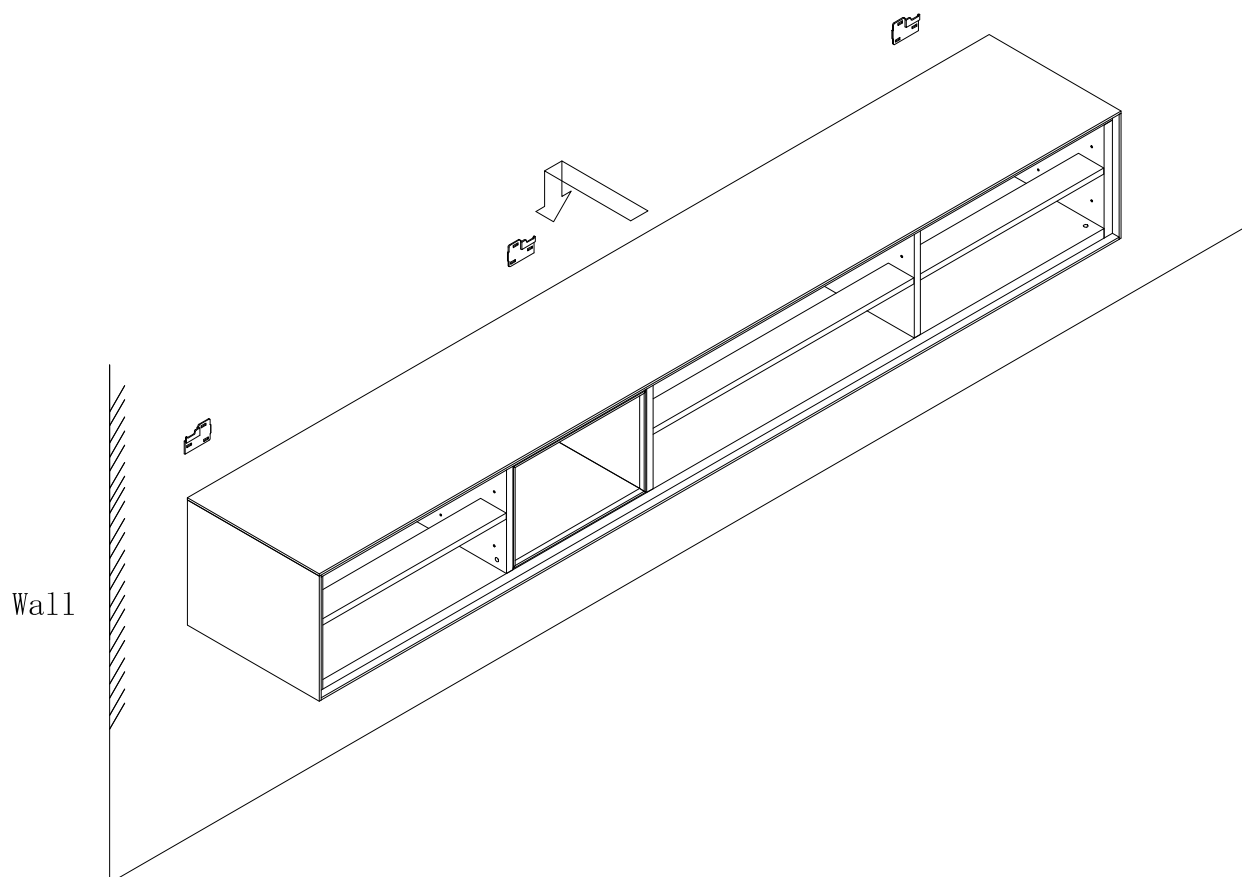
2

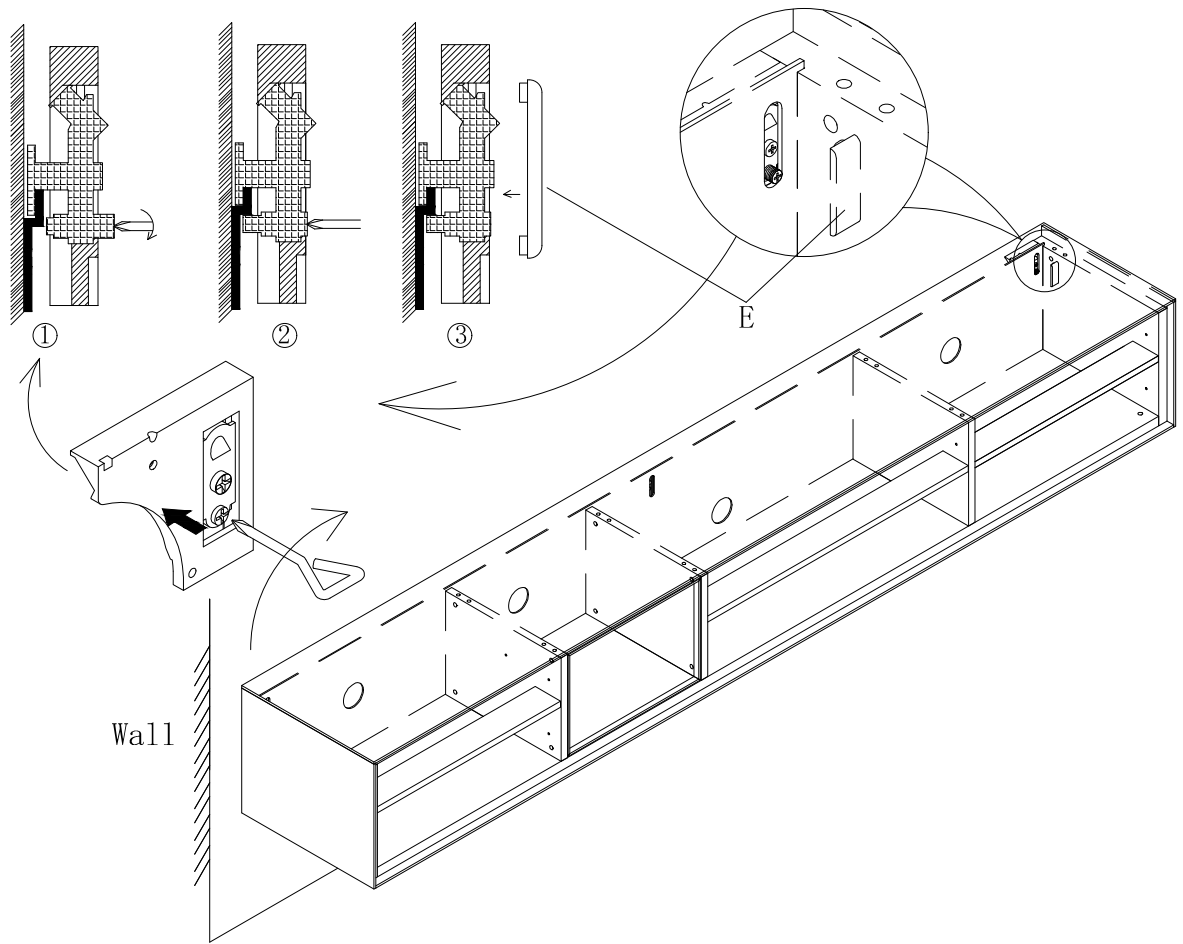




3

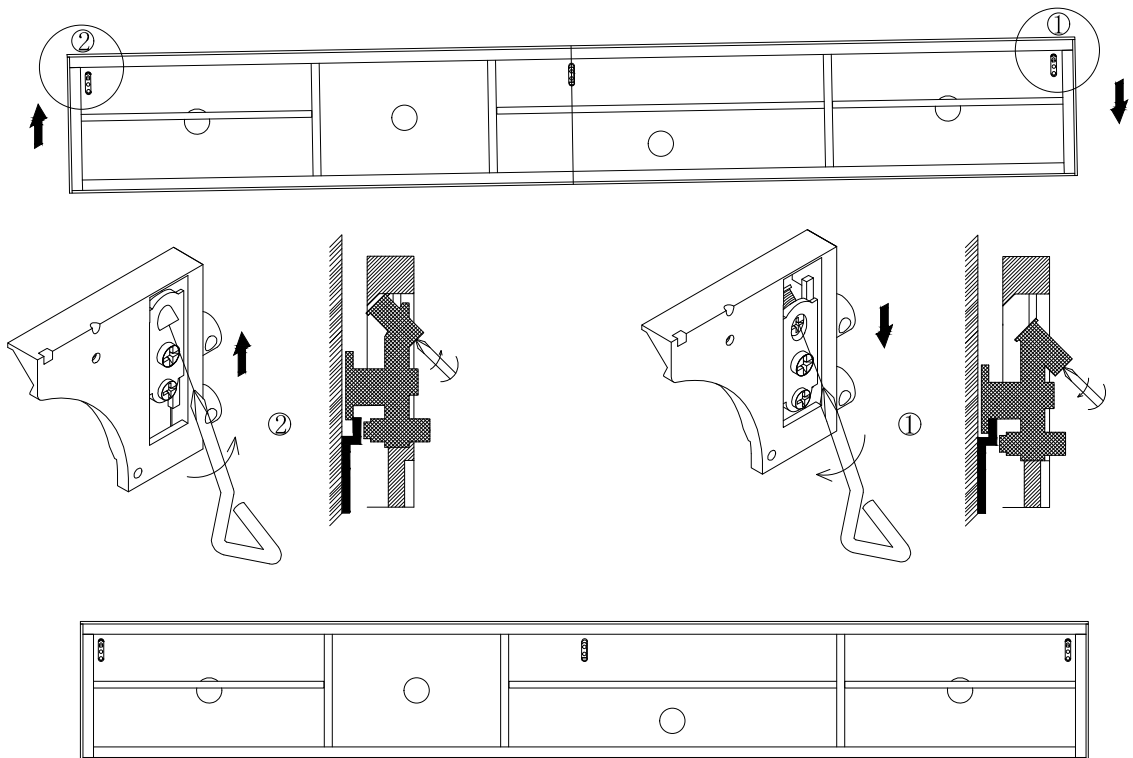
4

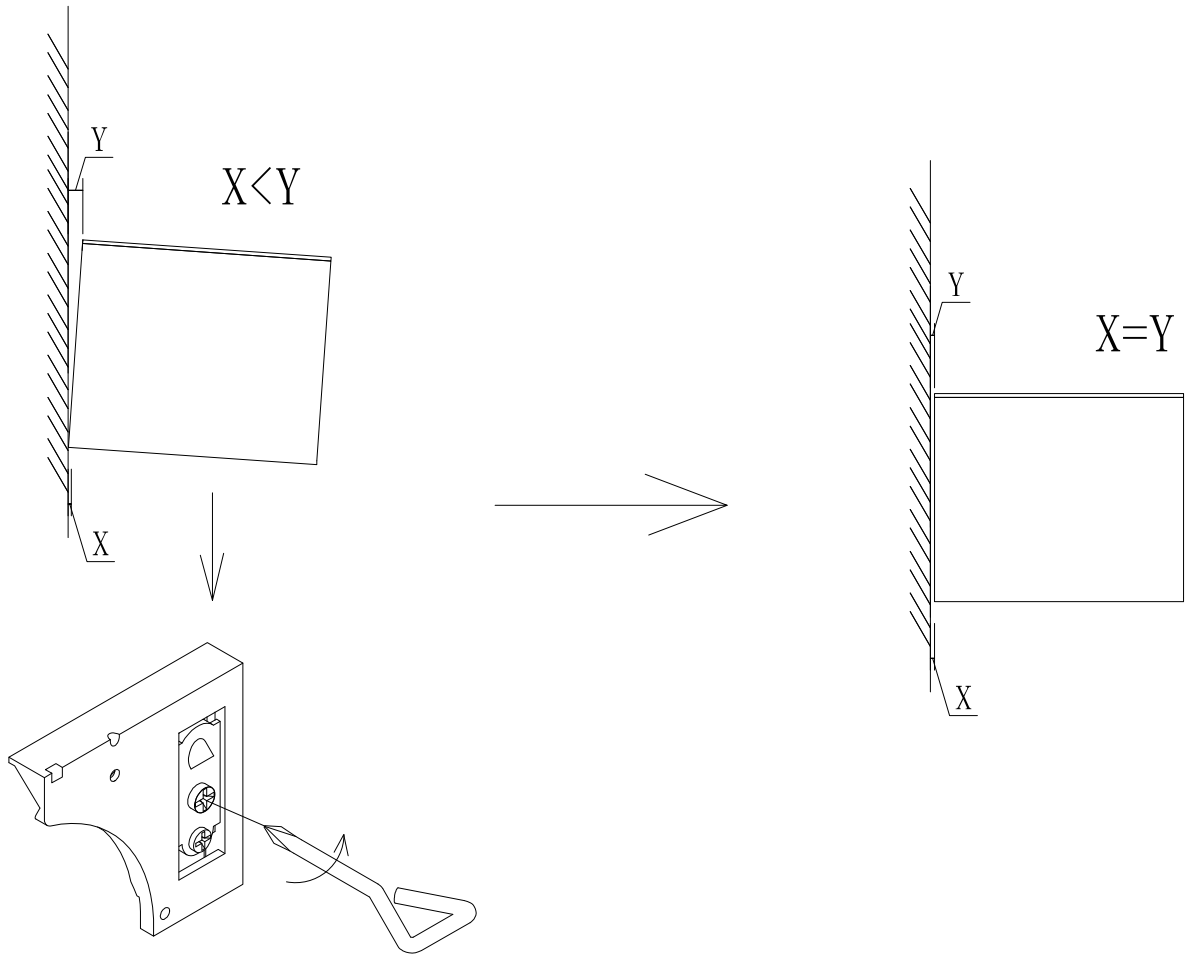




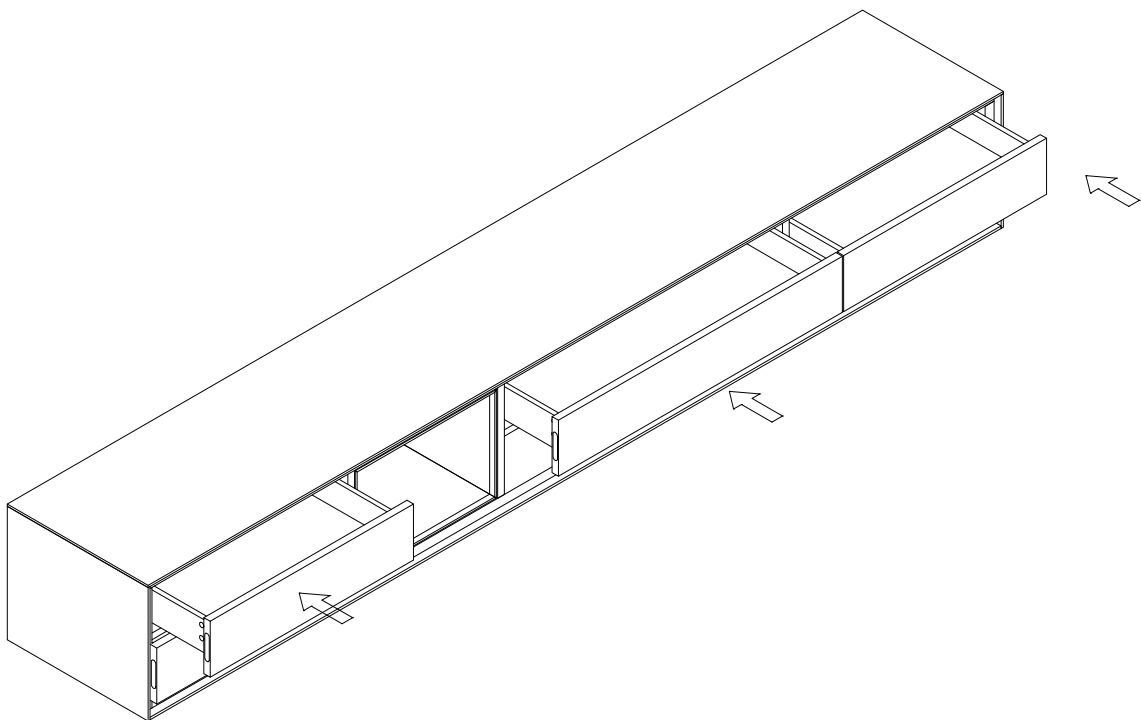
5

6



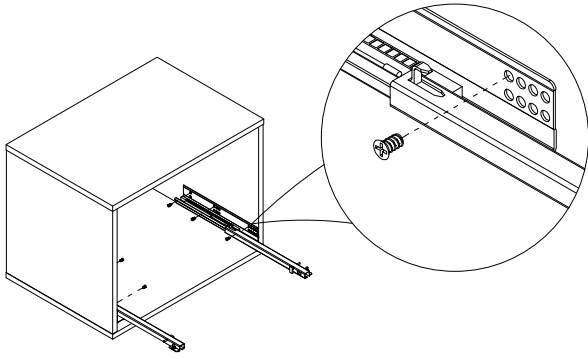


8

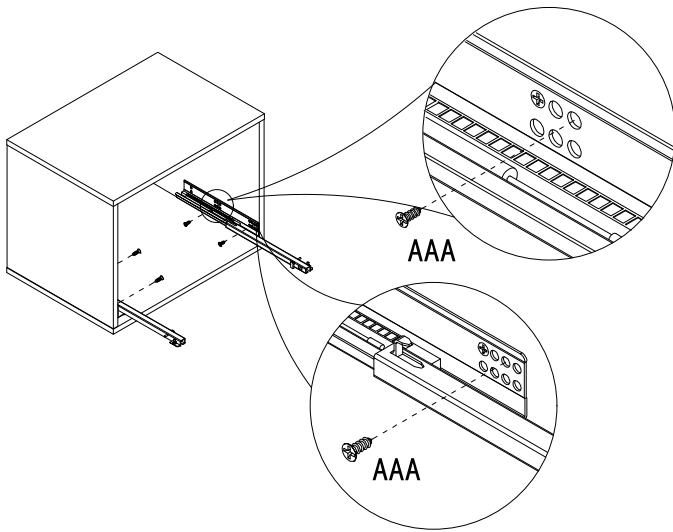


Drawer assembly

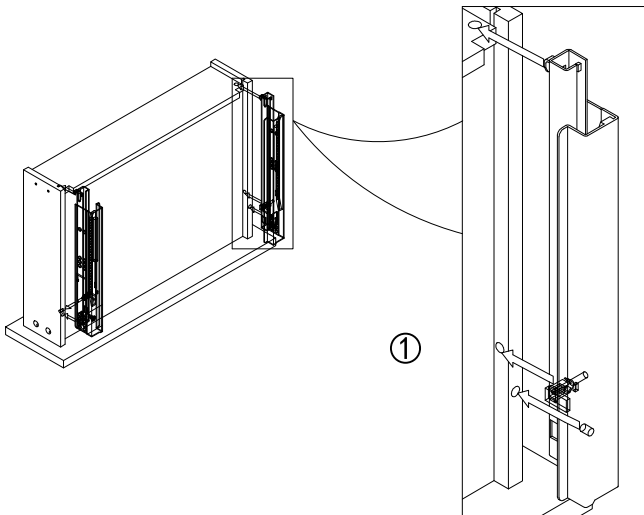
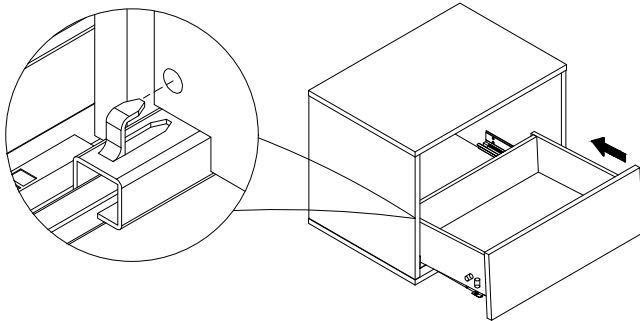
1



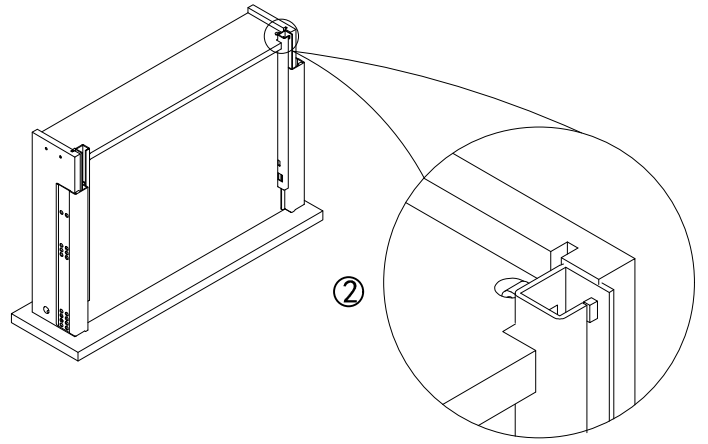
2



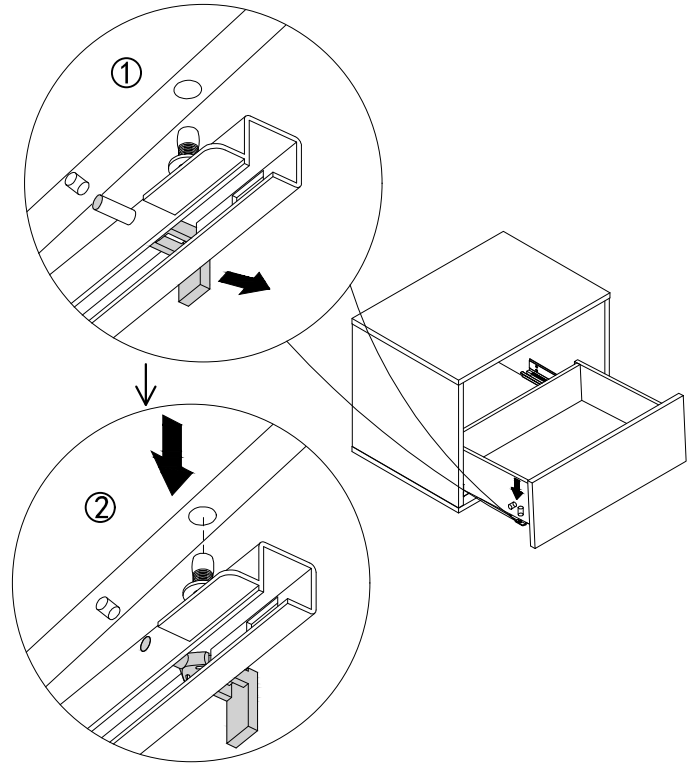
3



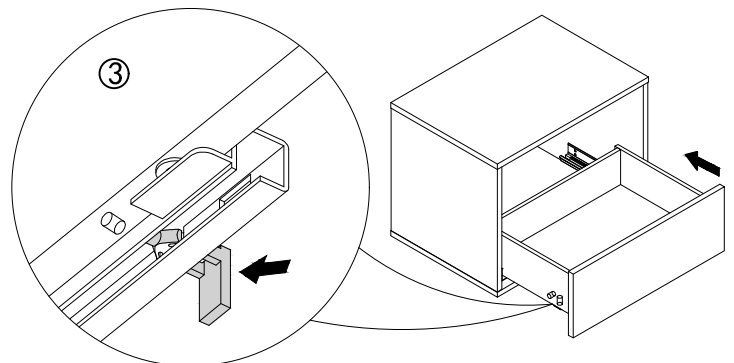
2



4

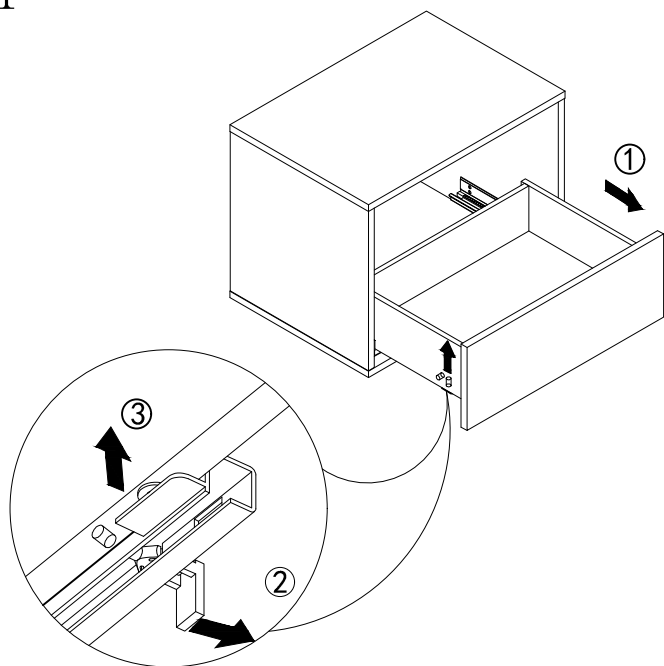


5

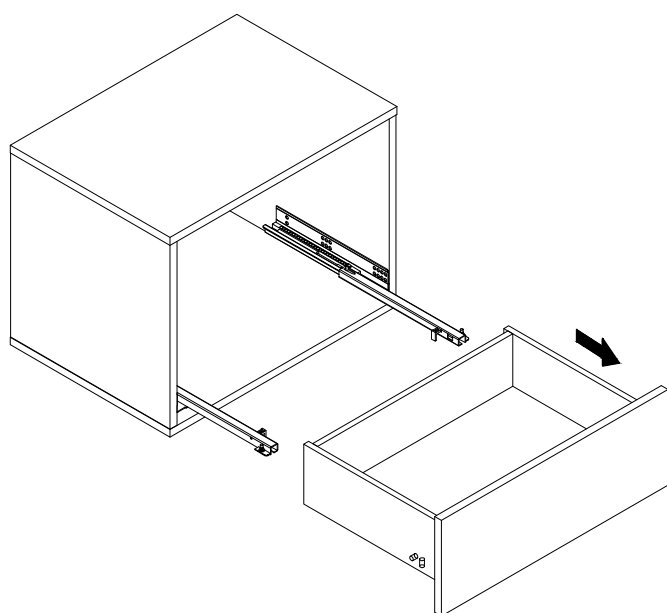


Drawer Renival

1



2



Adjustable Method

