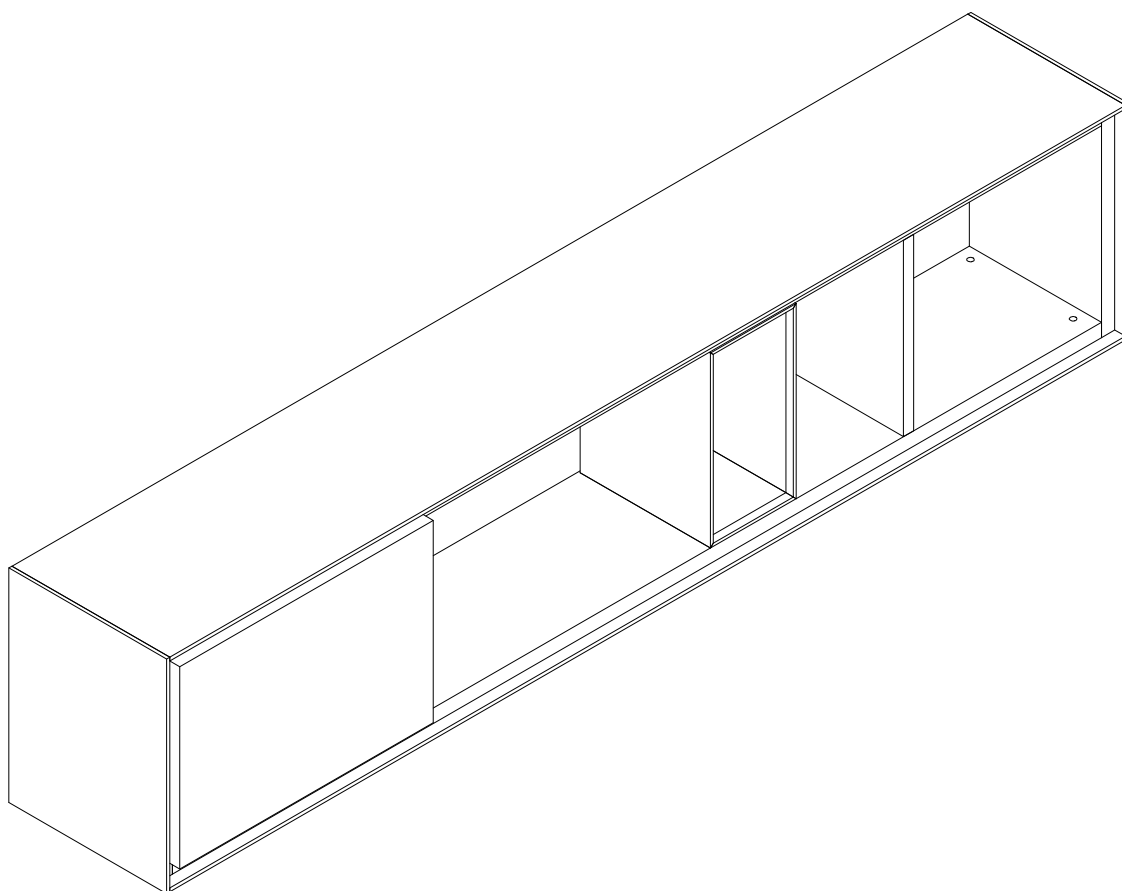


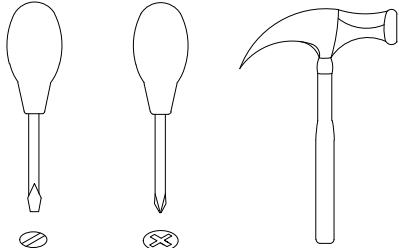
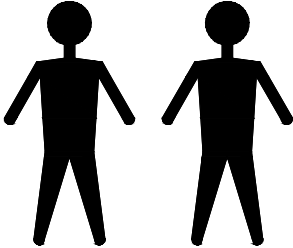


VC.NOC.WT.114.1

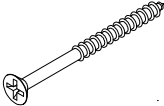


EAC

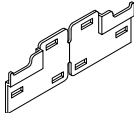
VC.NOC.WT.114.1



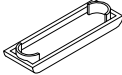
A x9
Spec: $\varnothing 8 * L50$



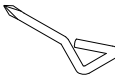
B x9
Spec: $\varnothing 4 * L60$



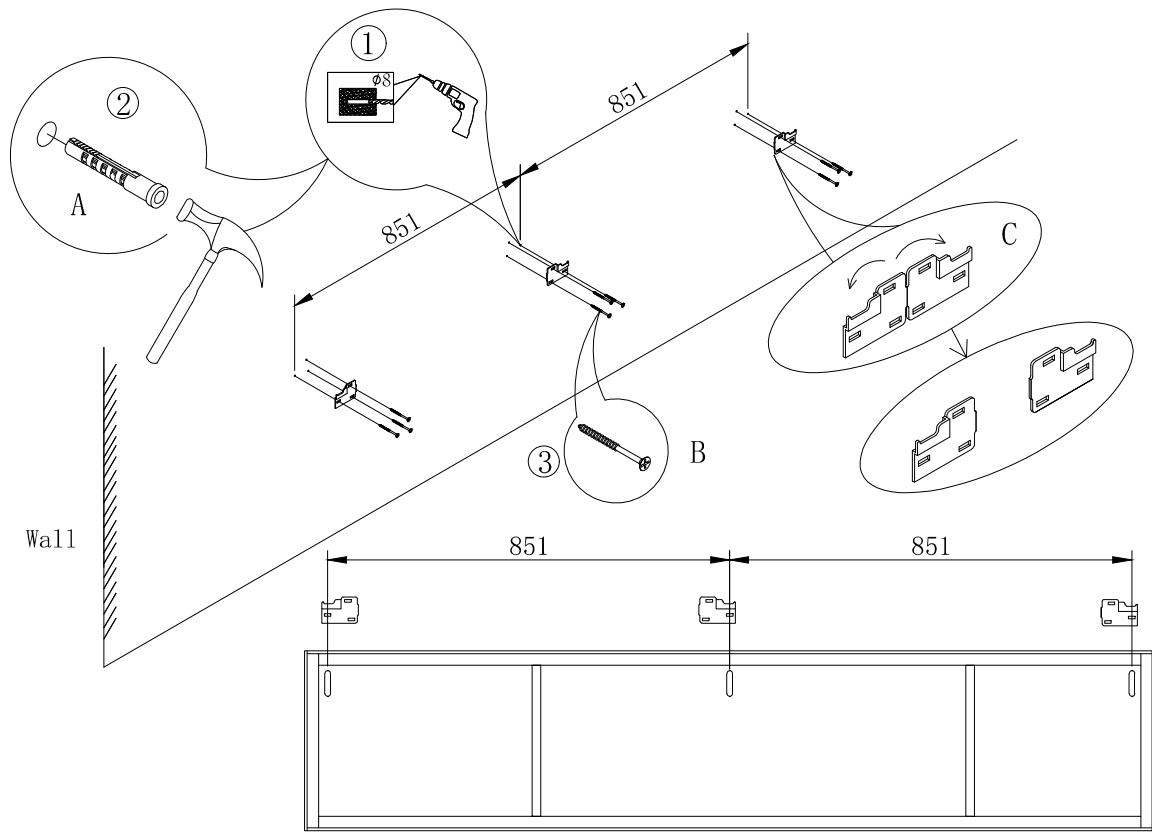
C x2
Spec:



D x3
Spec: $56 * 18 * 7$

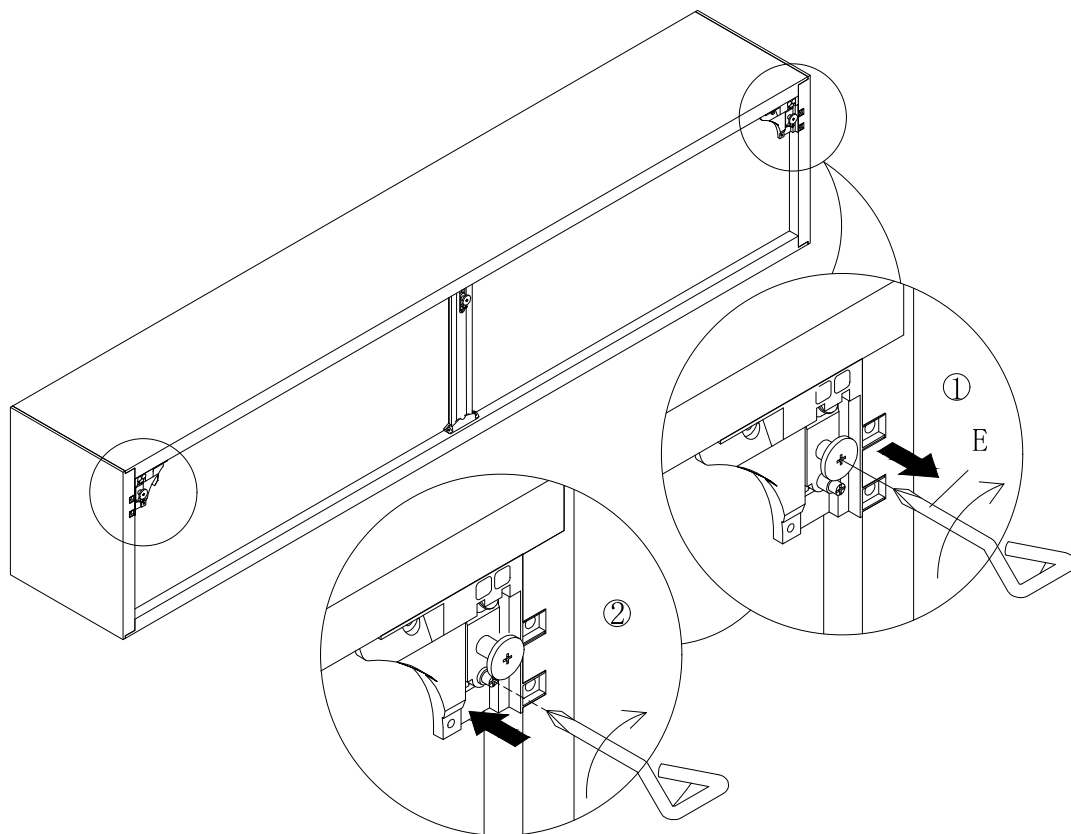


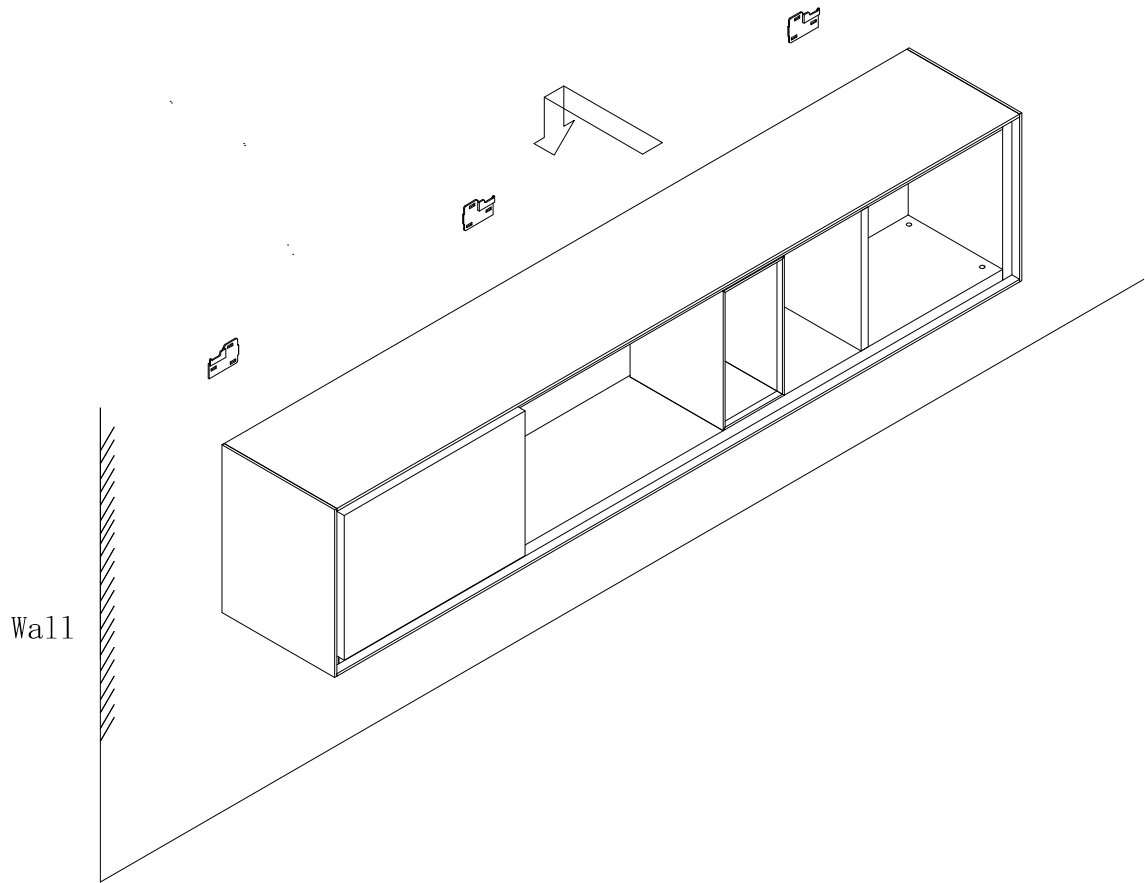
E x1
Spec:



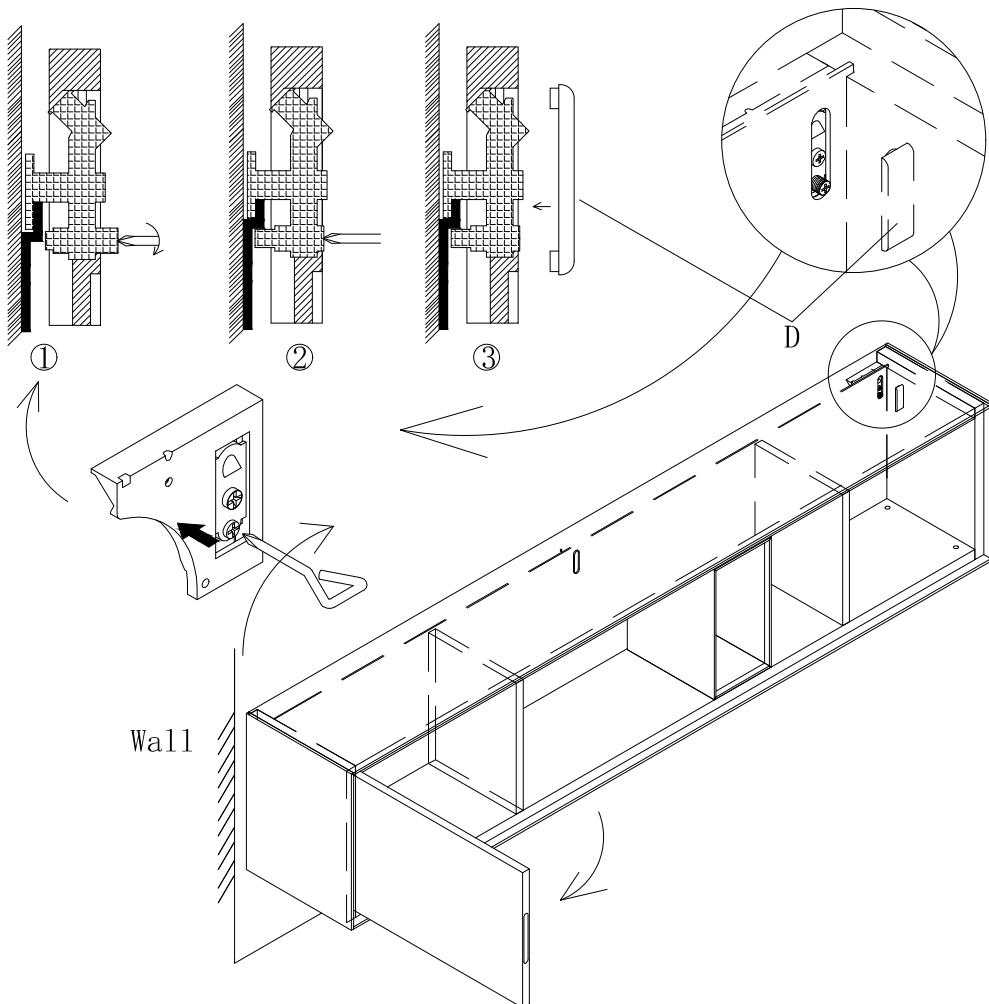
1

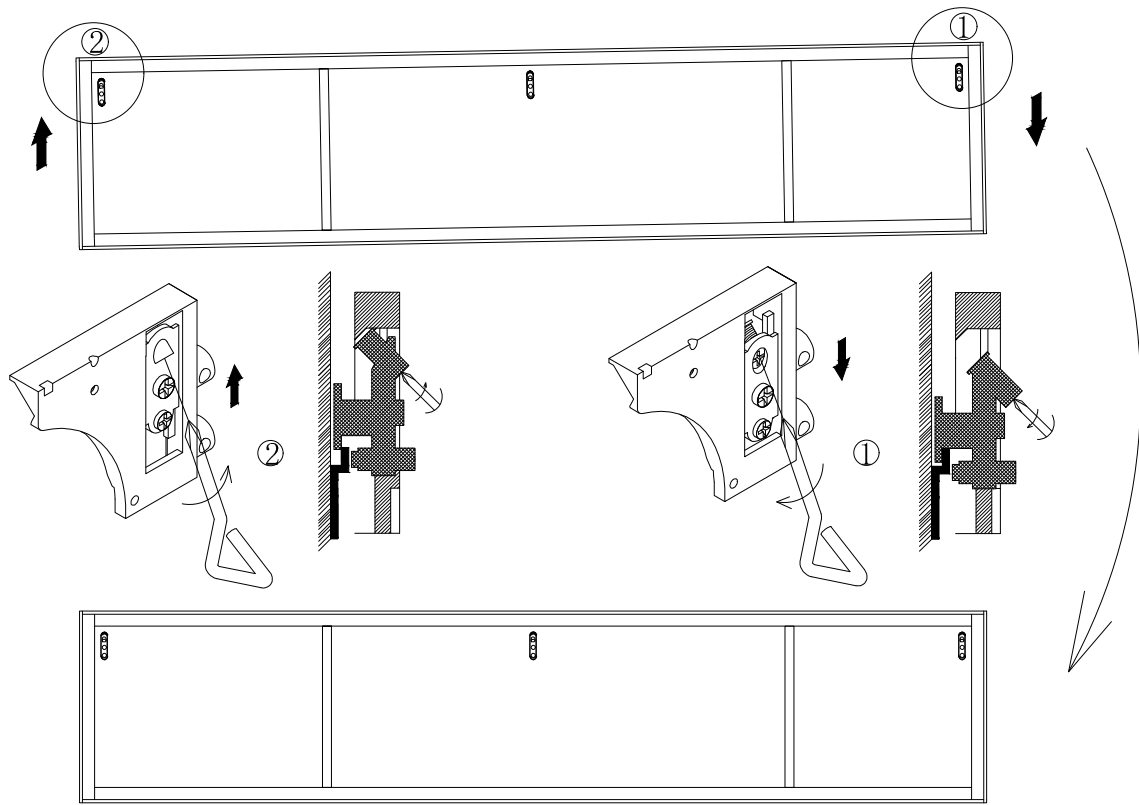
2





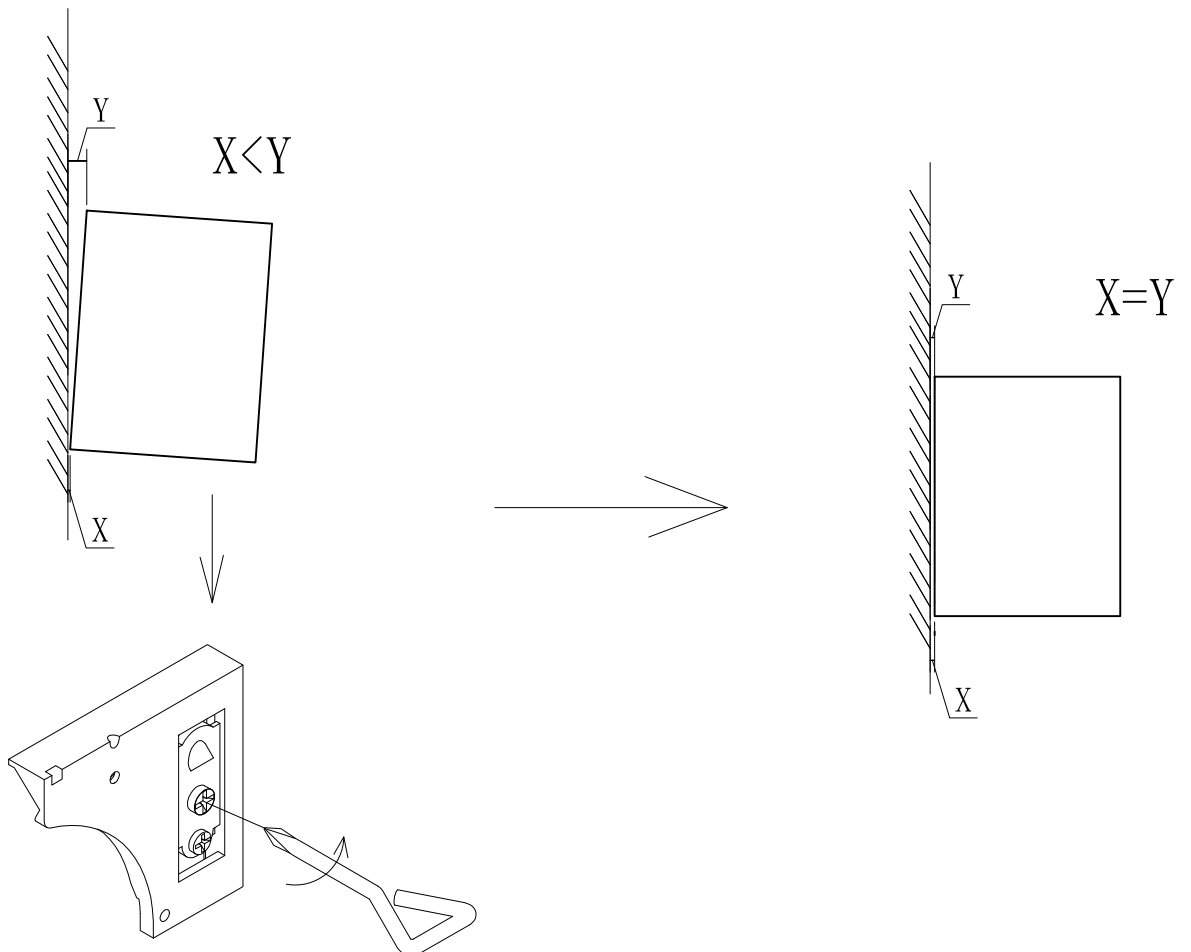
4



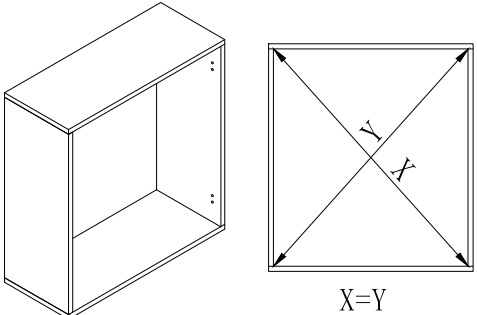


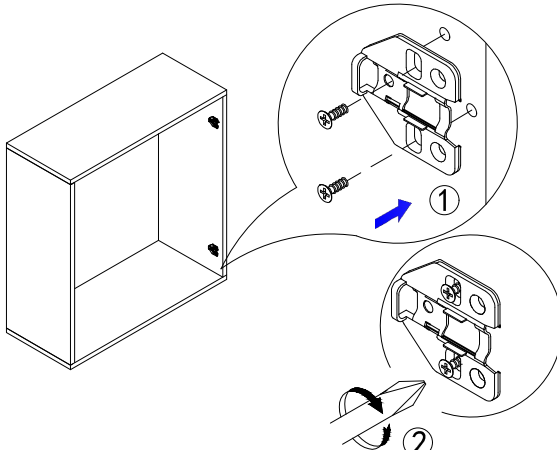
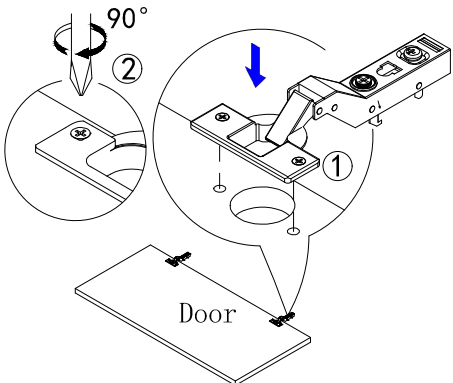
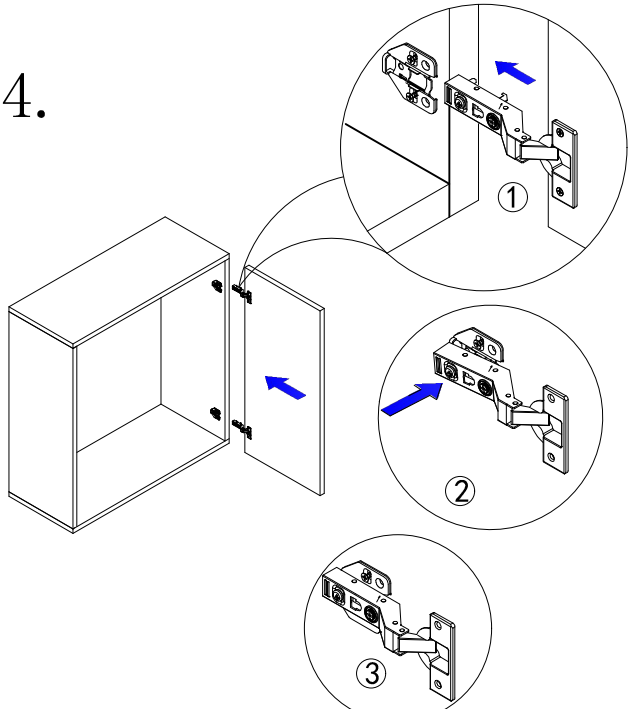
5

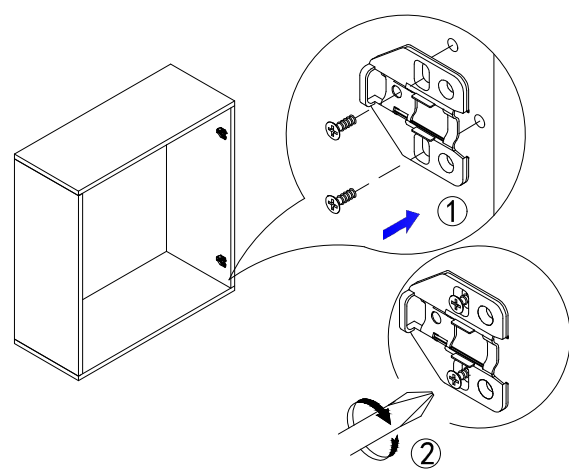
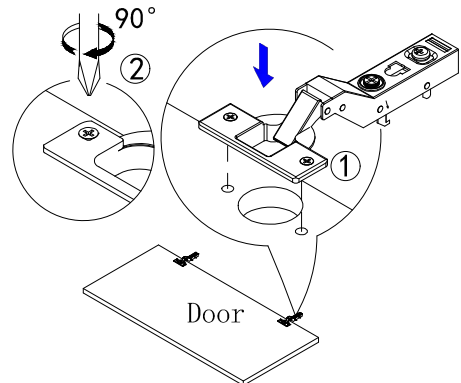
6

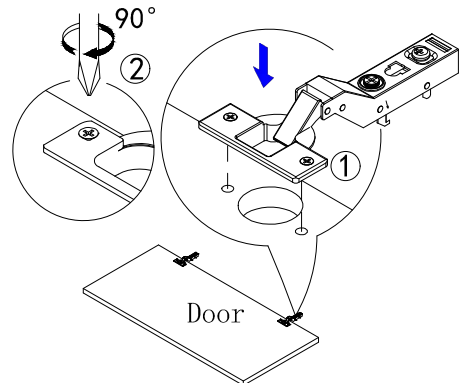
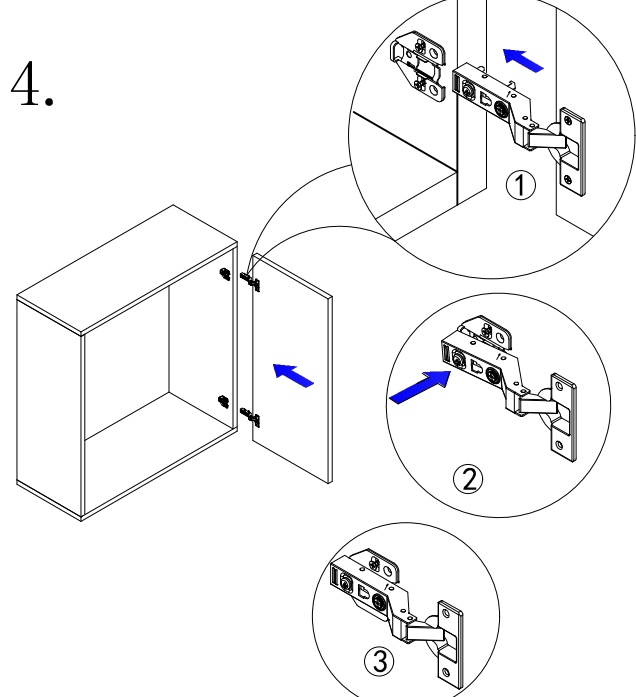


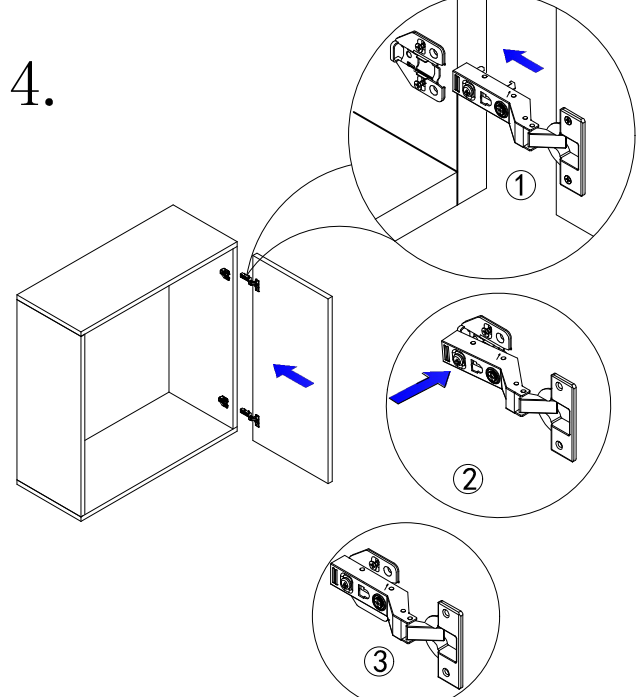
Door assembly:

- 

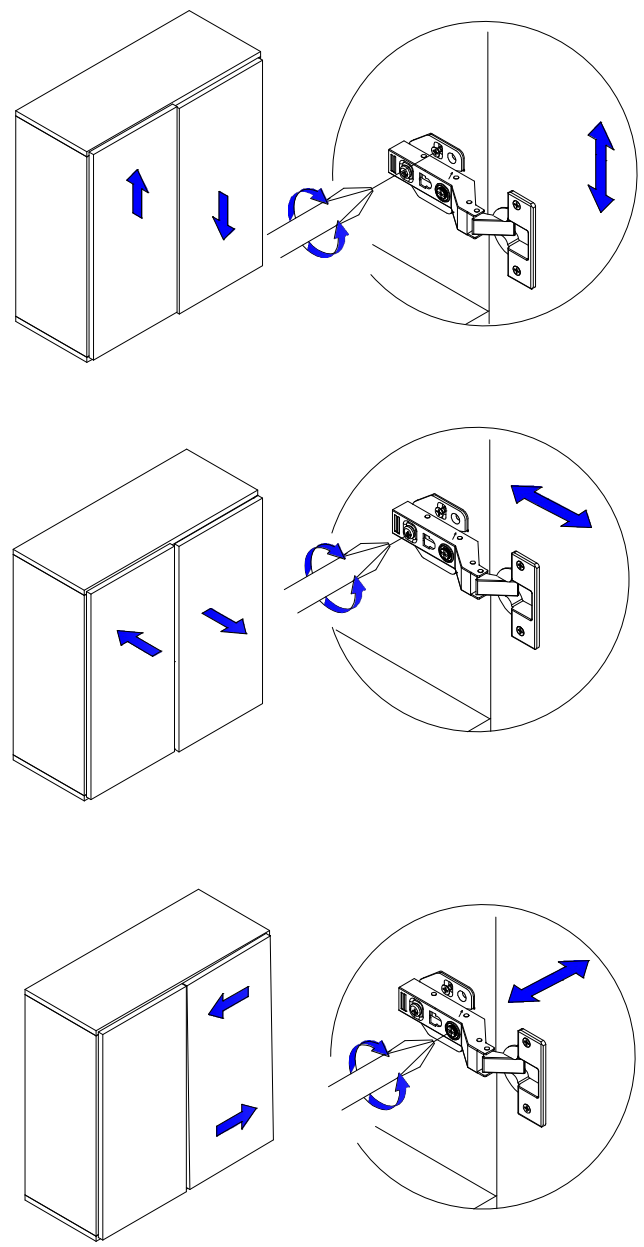
1.  
- 

2. 
- 

3. 
90°
Door
- 

4. 

Adjustable Method:



Door Renival:

