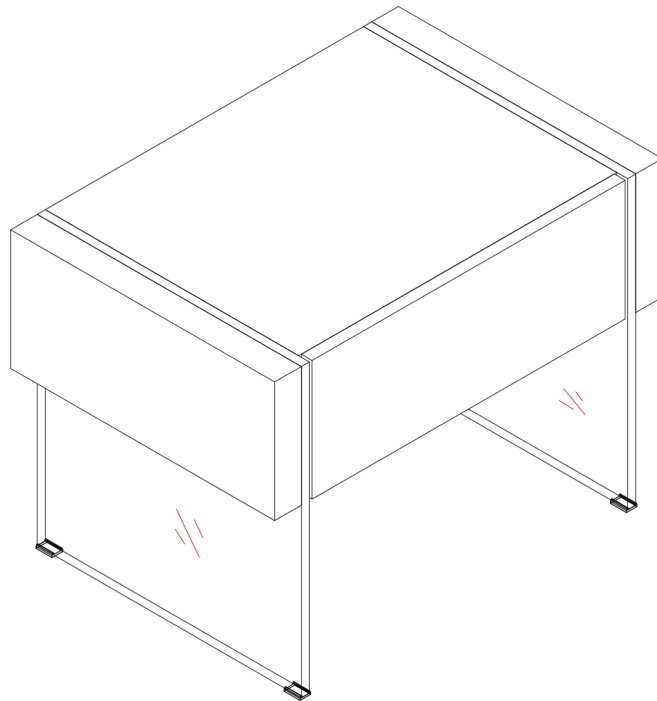


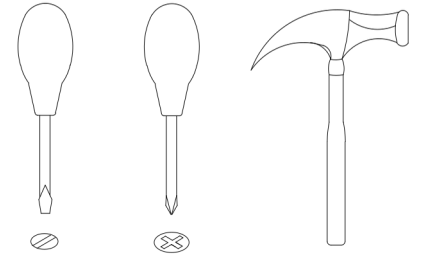
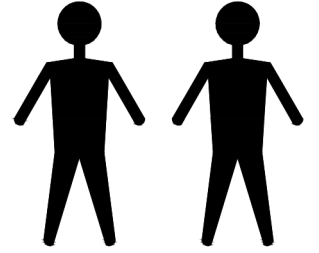


VC.ALT.BT.25.1



EAC

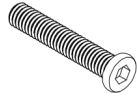
VC.ALT.BT.25.1



A x4
Spec:



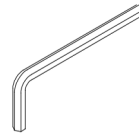
B x8
Spec: $\phi 11.8 * \phi 10 * L11$



C x8
Spec: 5/16*45



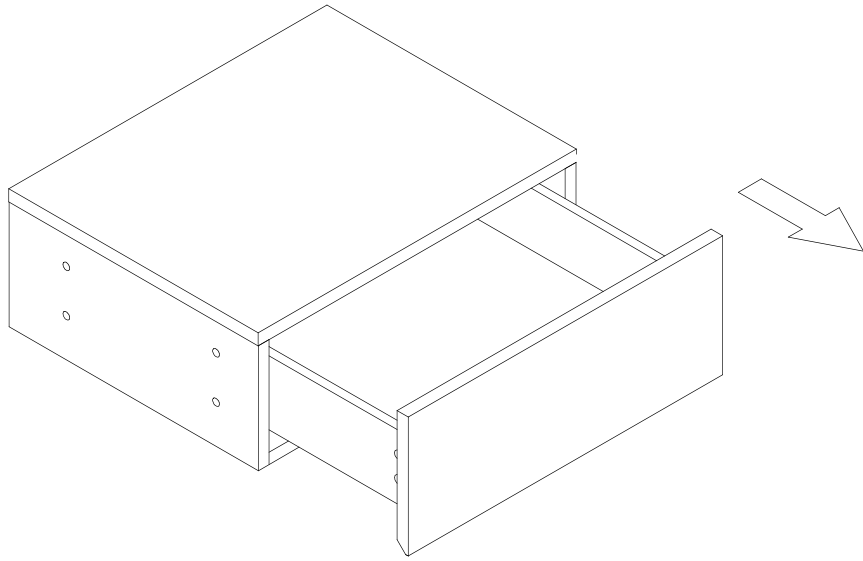
D x8
Spec: $\phi 8 * \phi 14$



E x1
Spec: 5#

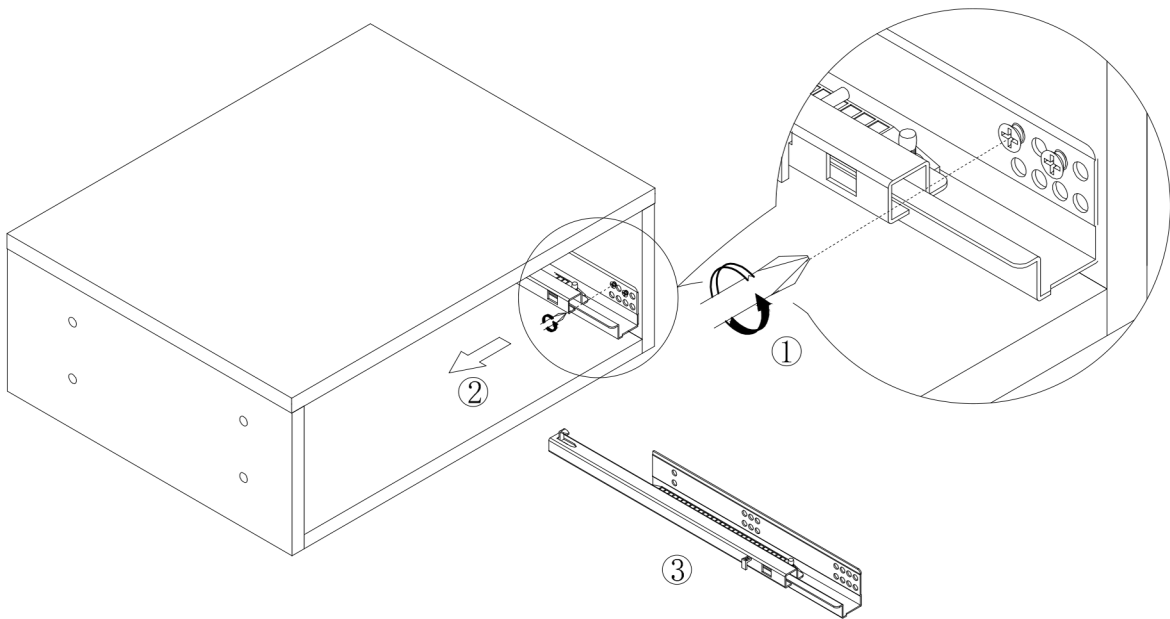


F x4
Spec:

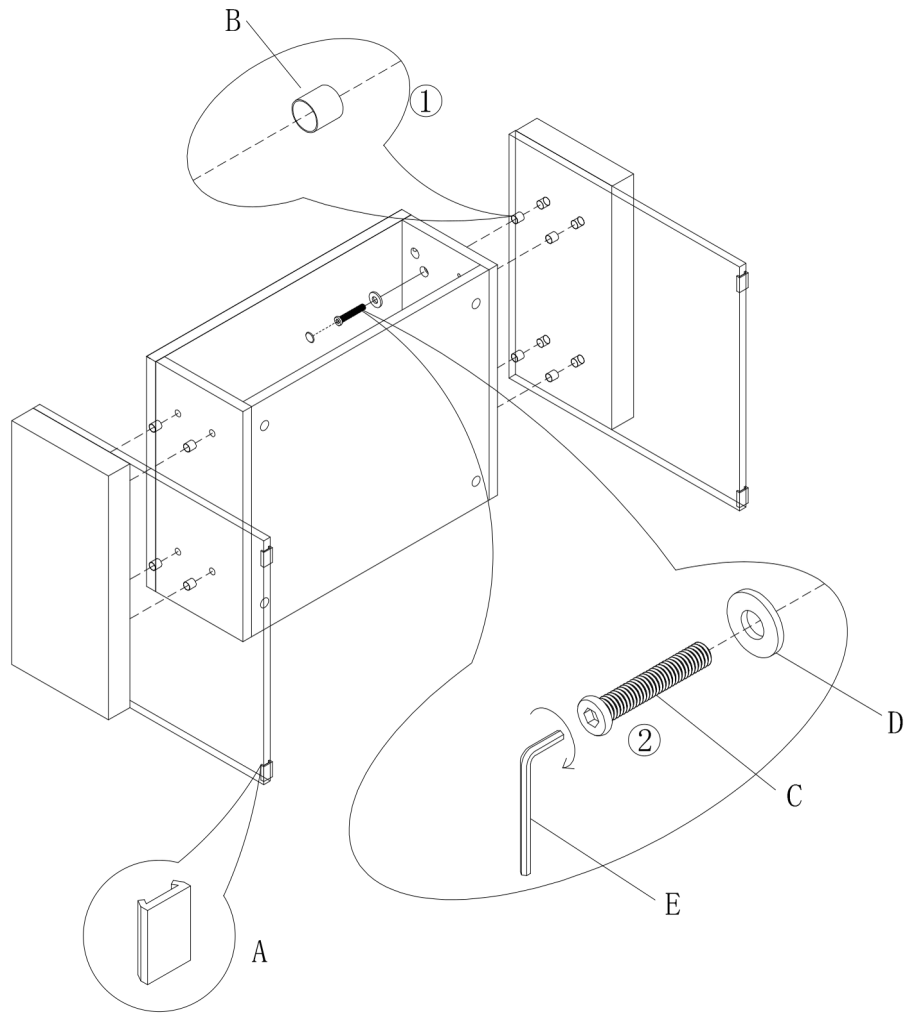


1

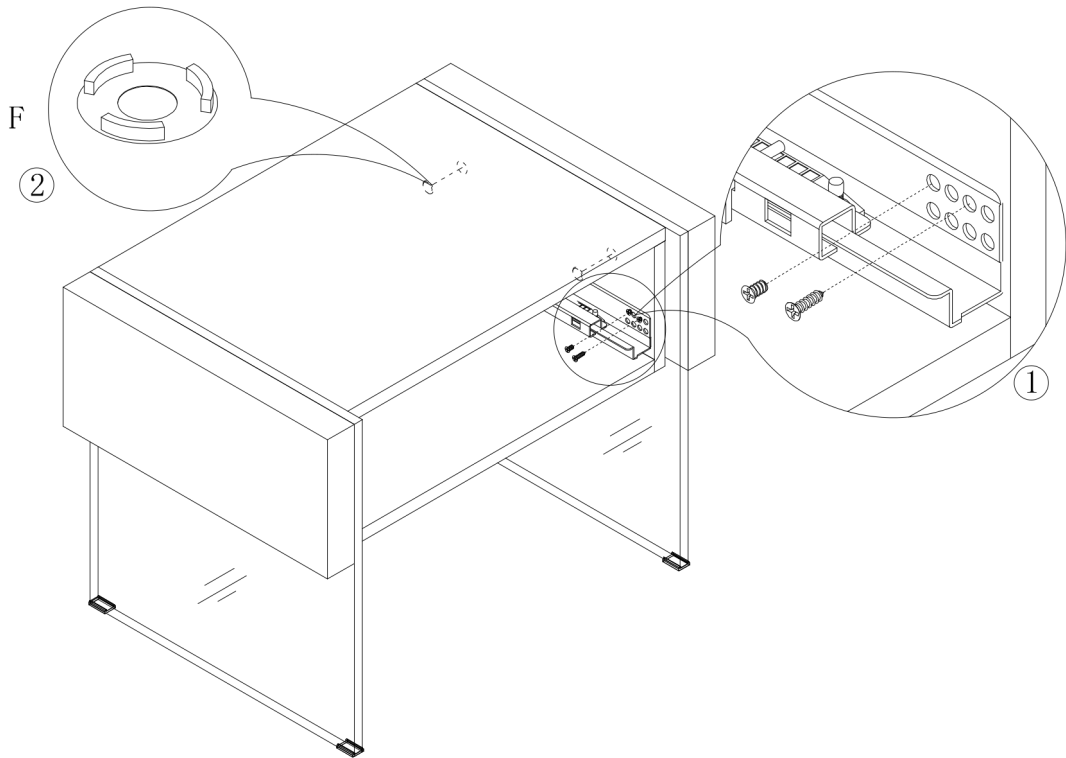
2

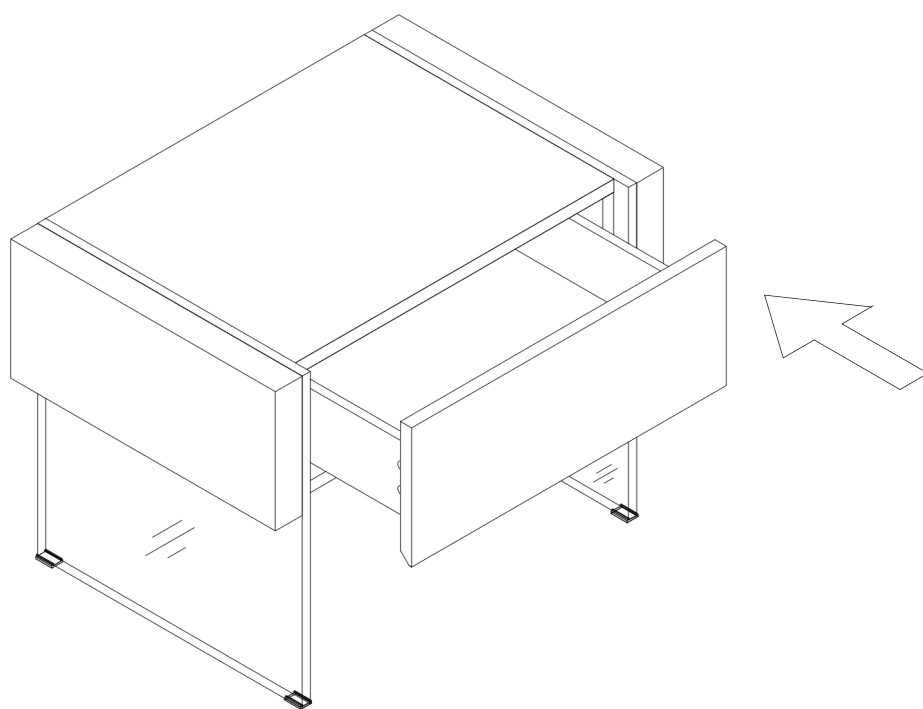


3



4





5

6

