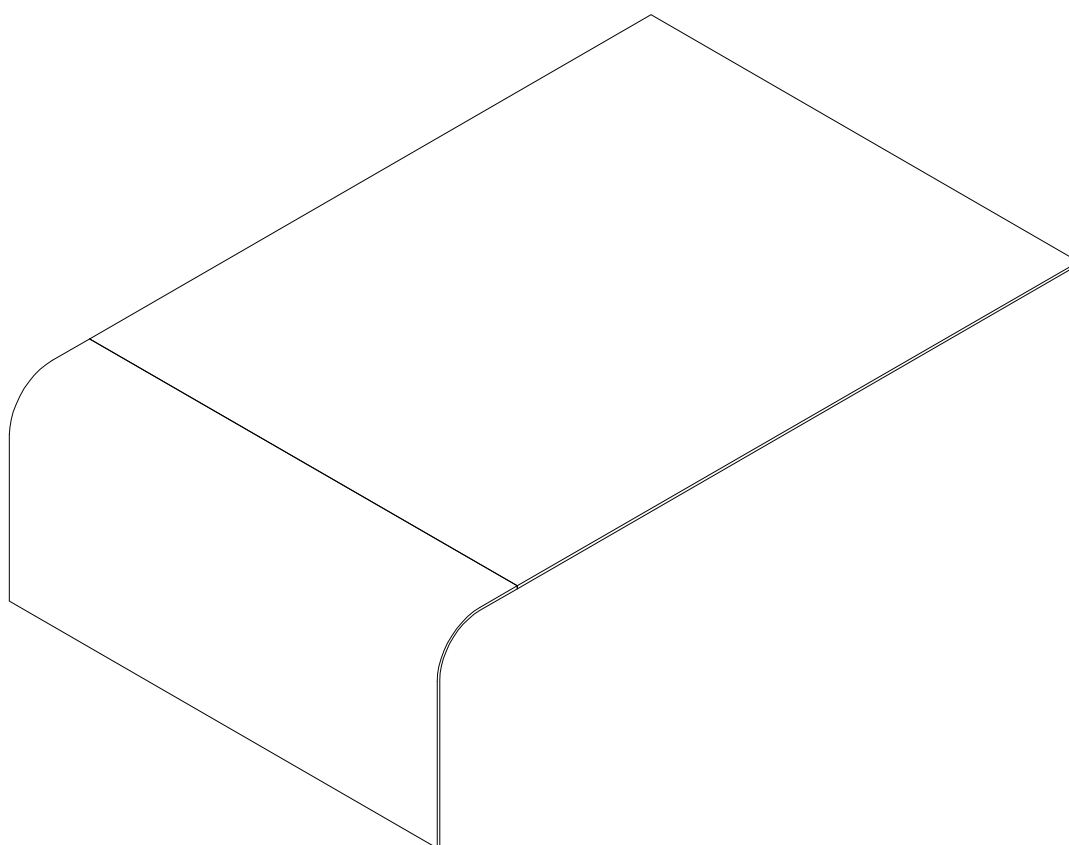


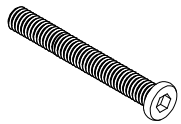
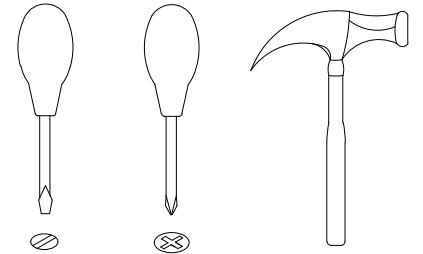
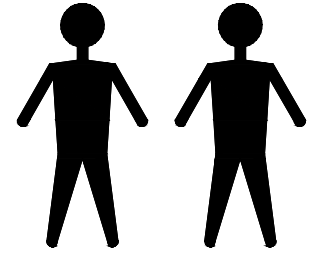


VC.ALT.CT.19.1



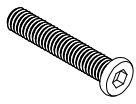
EAC

VC.ALT.CT.19.1



A x3

Spec: 5/16*80



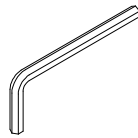
B x4

Spec: 5/16*55



C x7

Spec: $\phi 8 * \phi 14$



D x1

Spec: 5#



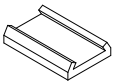
E x3

Spec: 12* ϕ 11.8



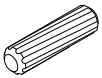
F x1

Spec: 10g



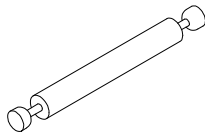
G x2

Spec:



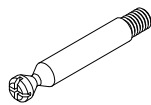
H x4

Spec: $\phi 8 * 30$



I x4

Spec: $\phi 6 * L68$



J x1

Spec: $\phi 7 * L48$



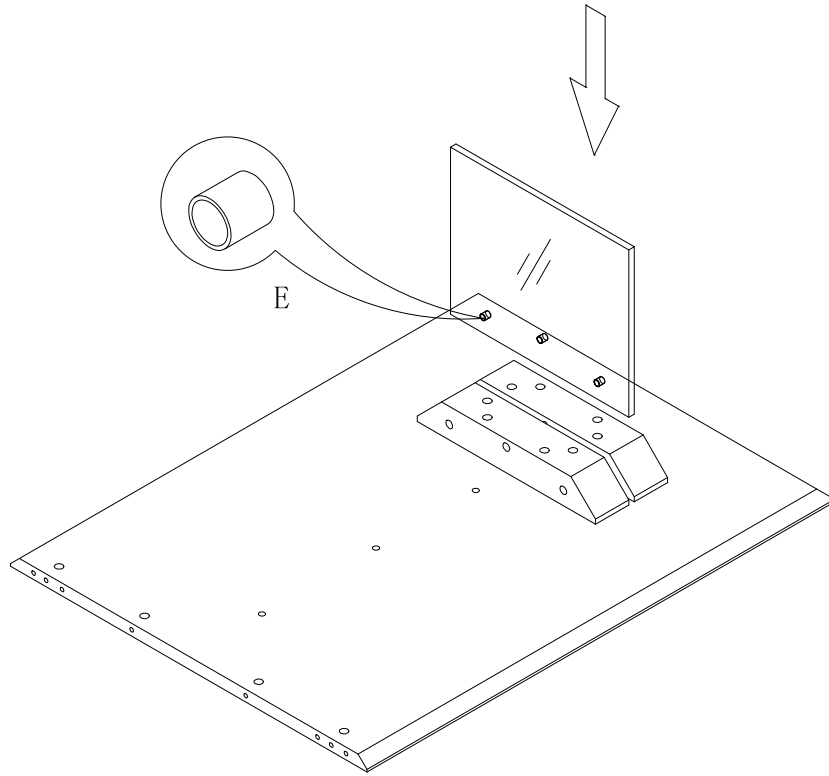
K x9

Spec: $\phi 15 * H15$



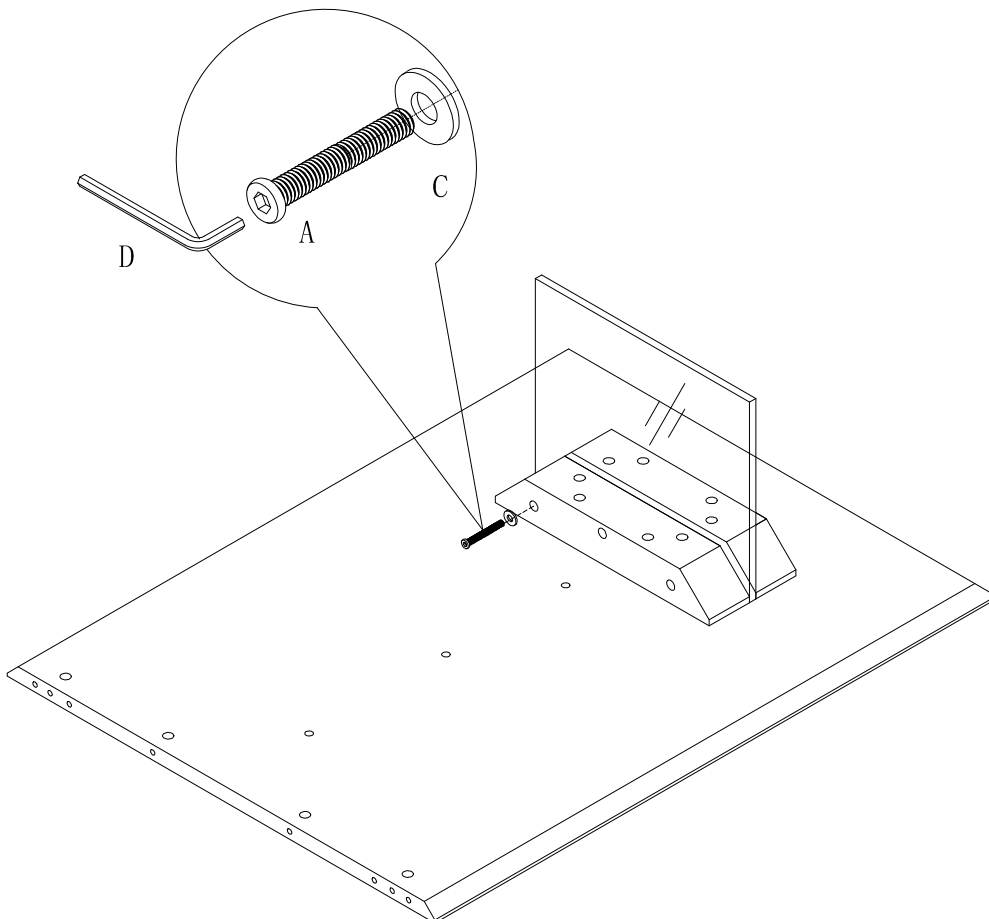
L x5

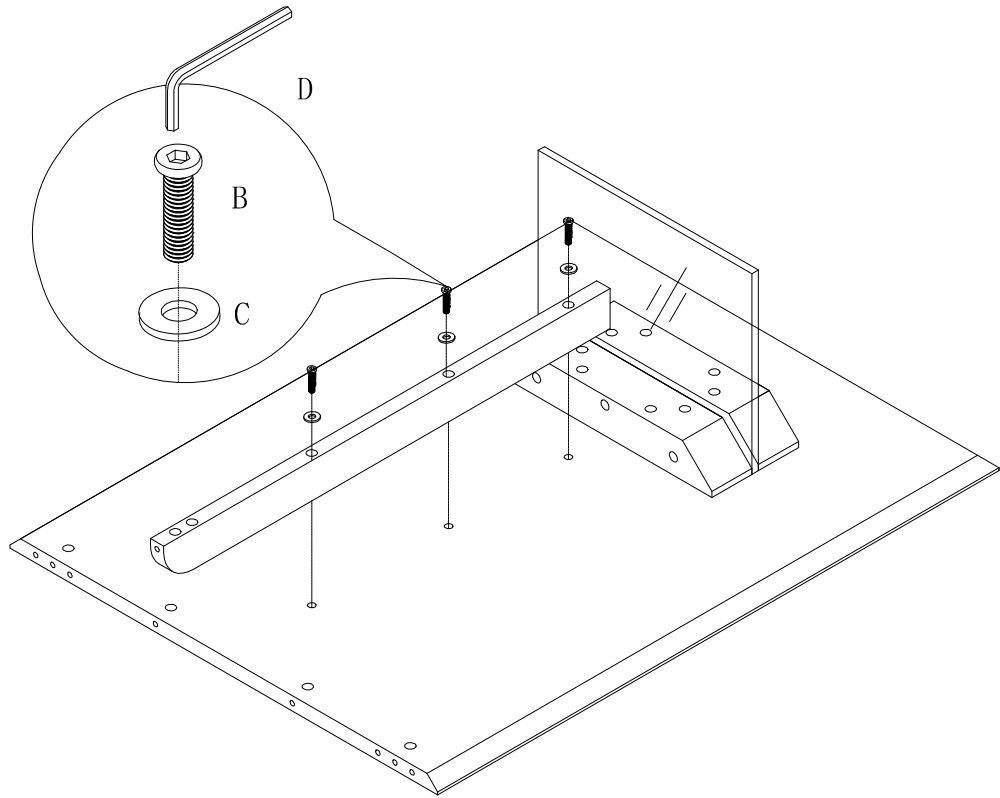
Spec:



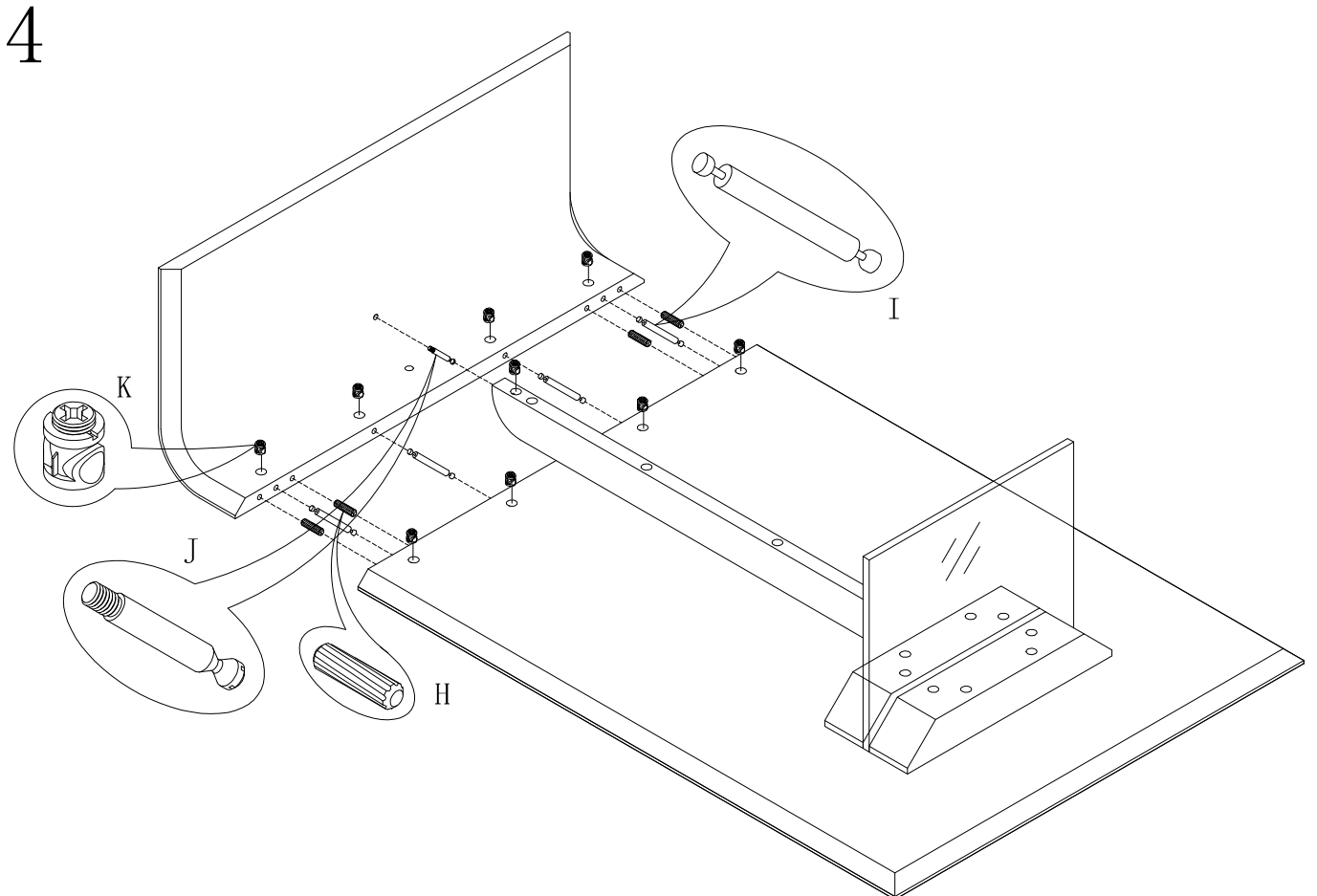
1

2





3



4

5

