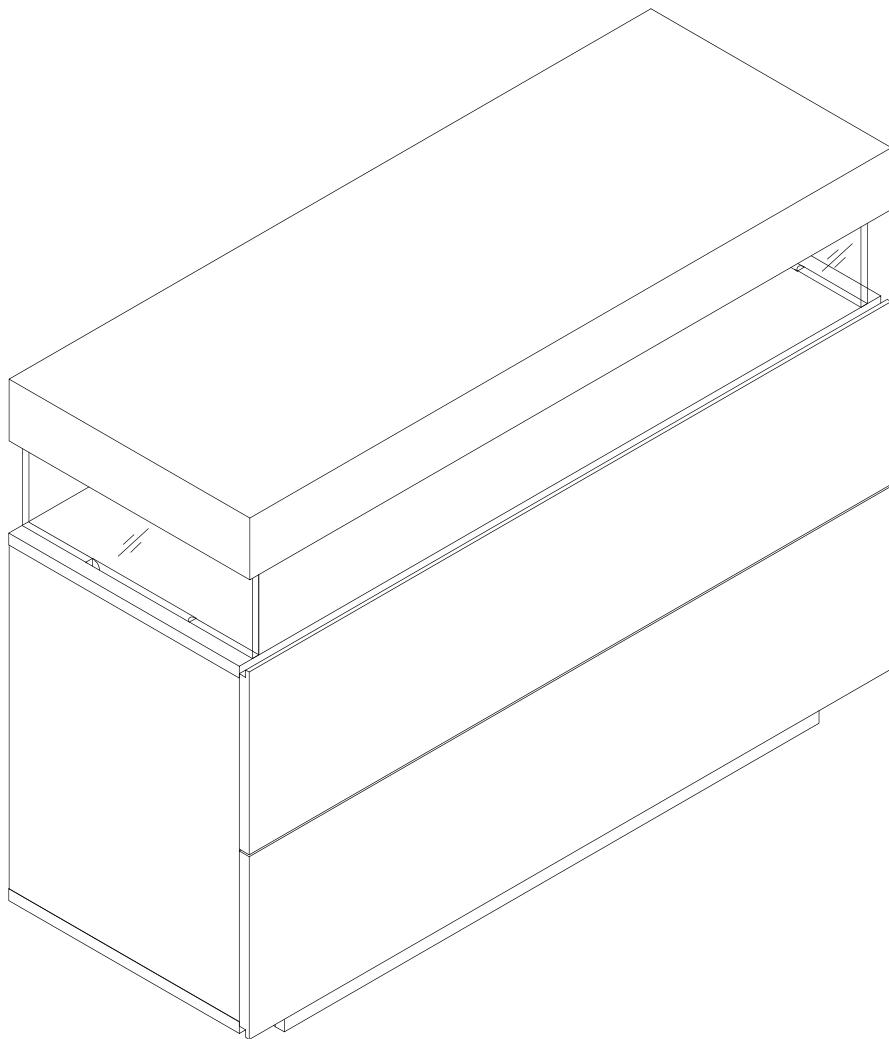


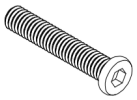
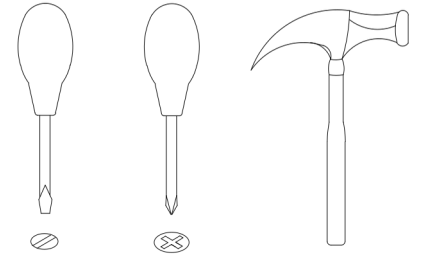
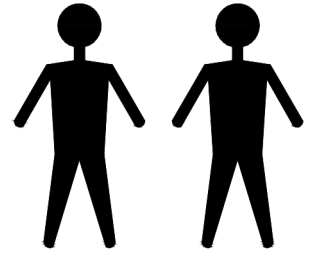


VC.ALT.DR.27.1



EAC

VC.ALT.DR.27.1



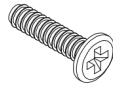
A x12
Spec: 5/16*50



B x12
Spec: $\phi 18 * \phi 8$



C x12
Spec: $\phi 11.8 * 12$



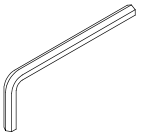
D x4
Spec: M6*30



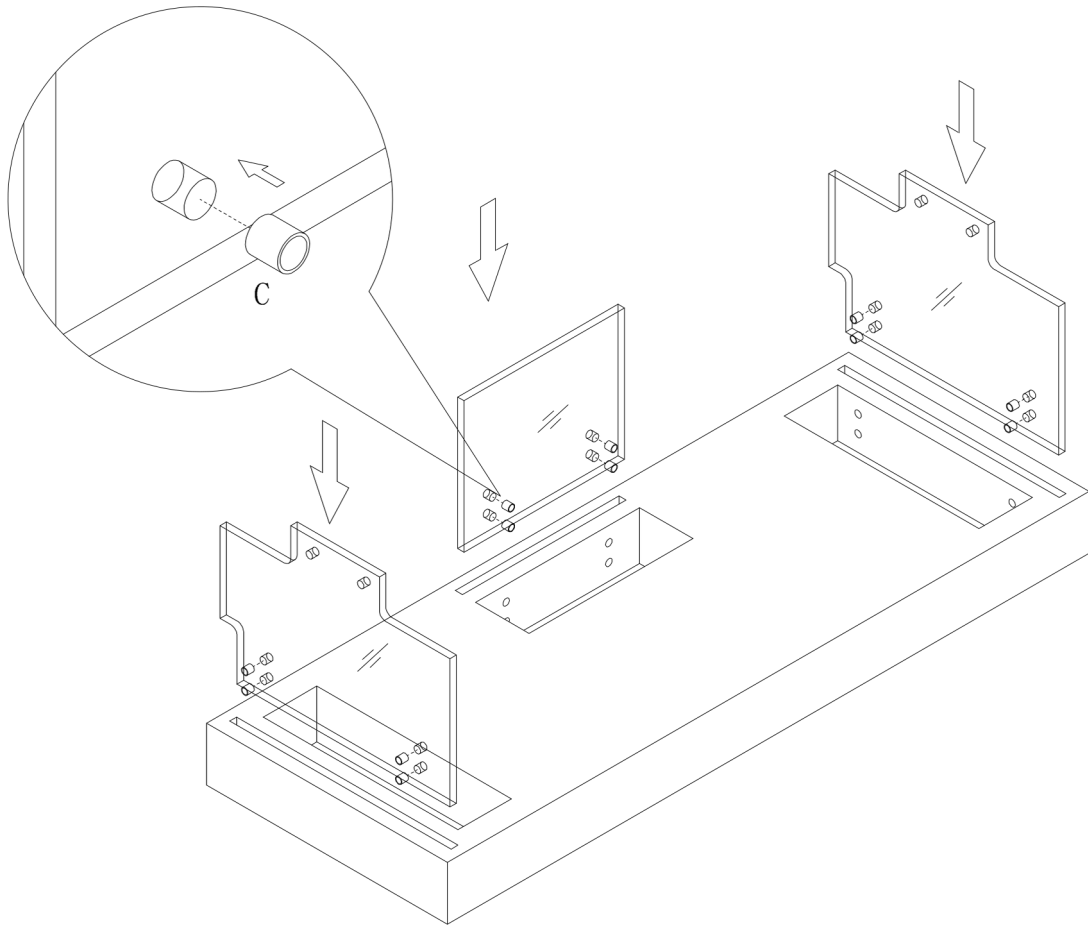
E x4
Spec: $\phi 18 * \phi 10$



F x4
Spec: $\phi 11.8 * 18$

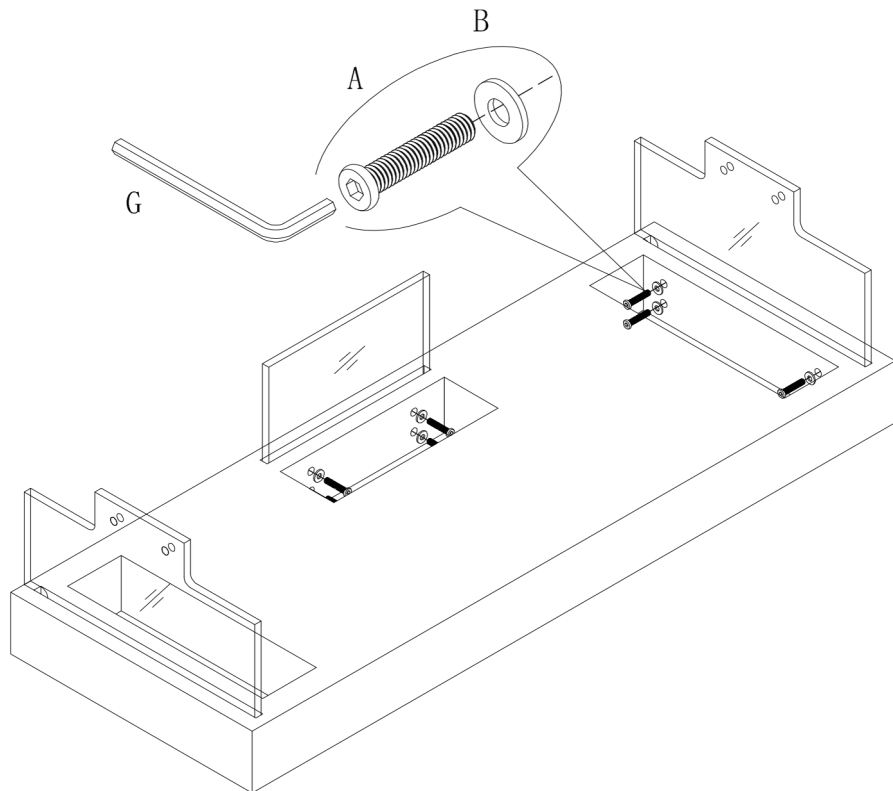


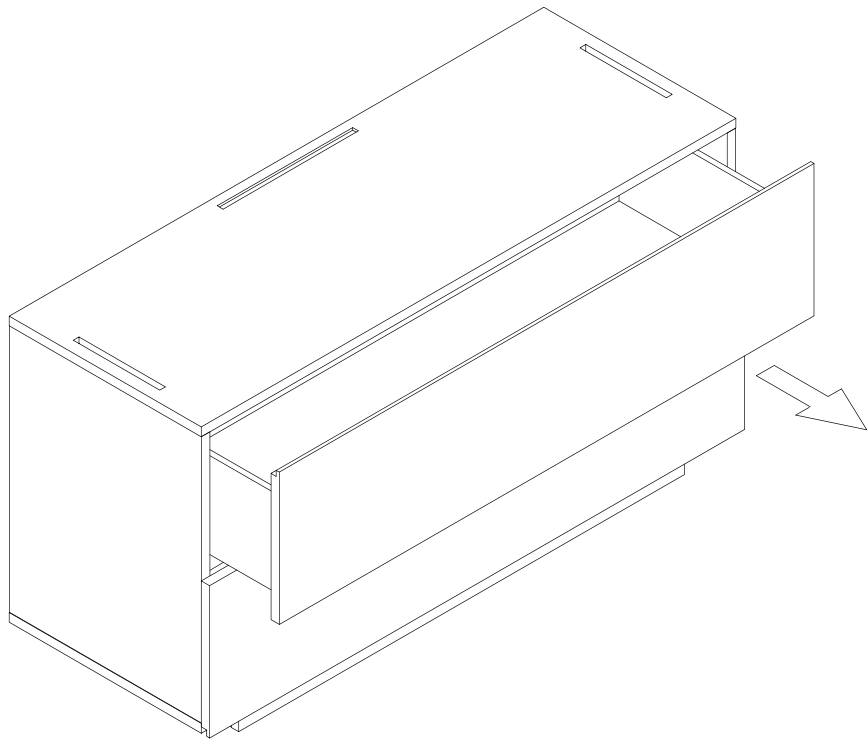
G x1
Spec: 5#



1

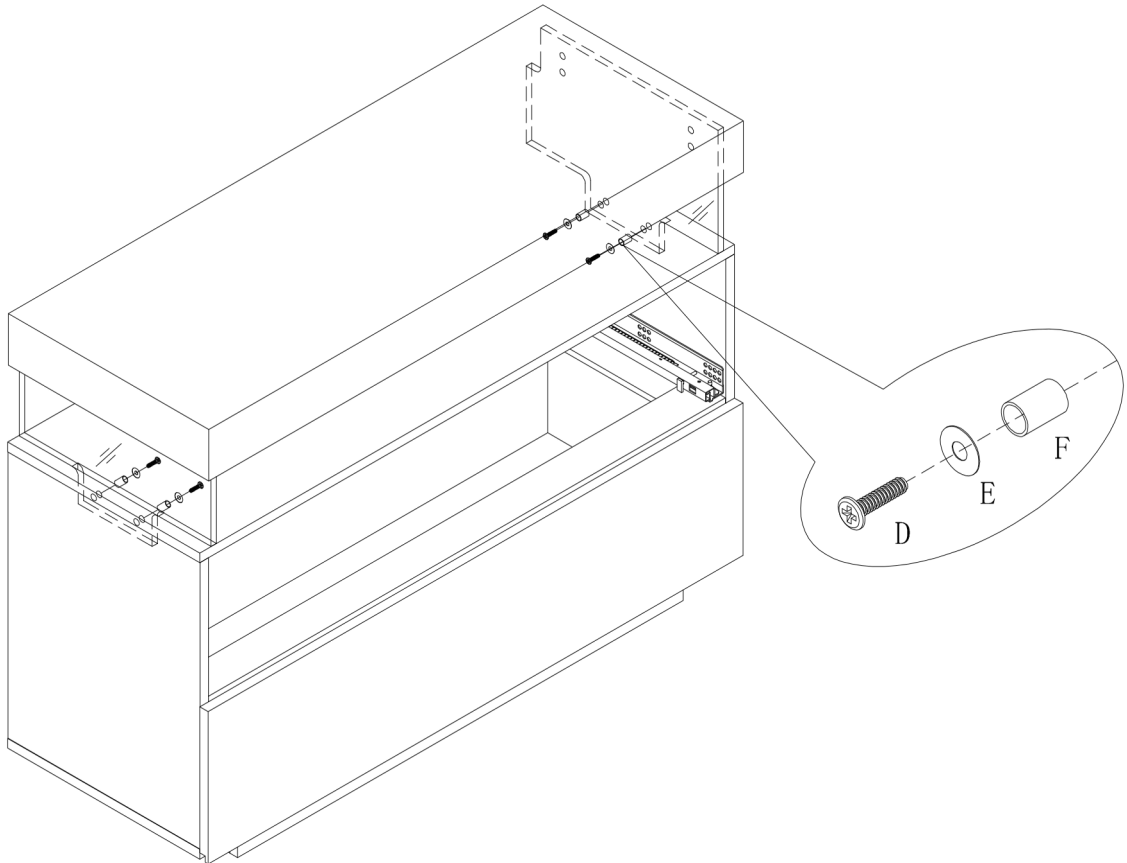
2





3

4



5

