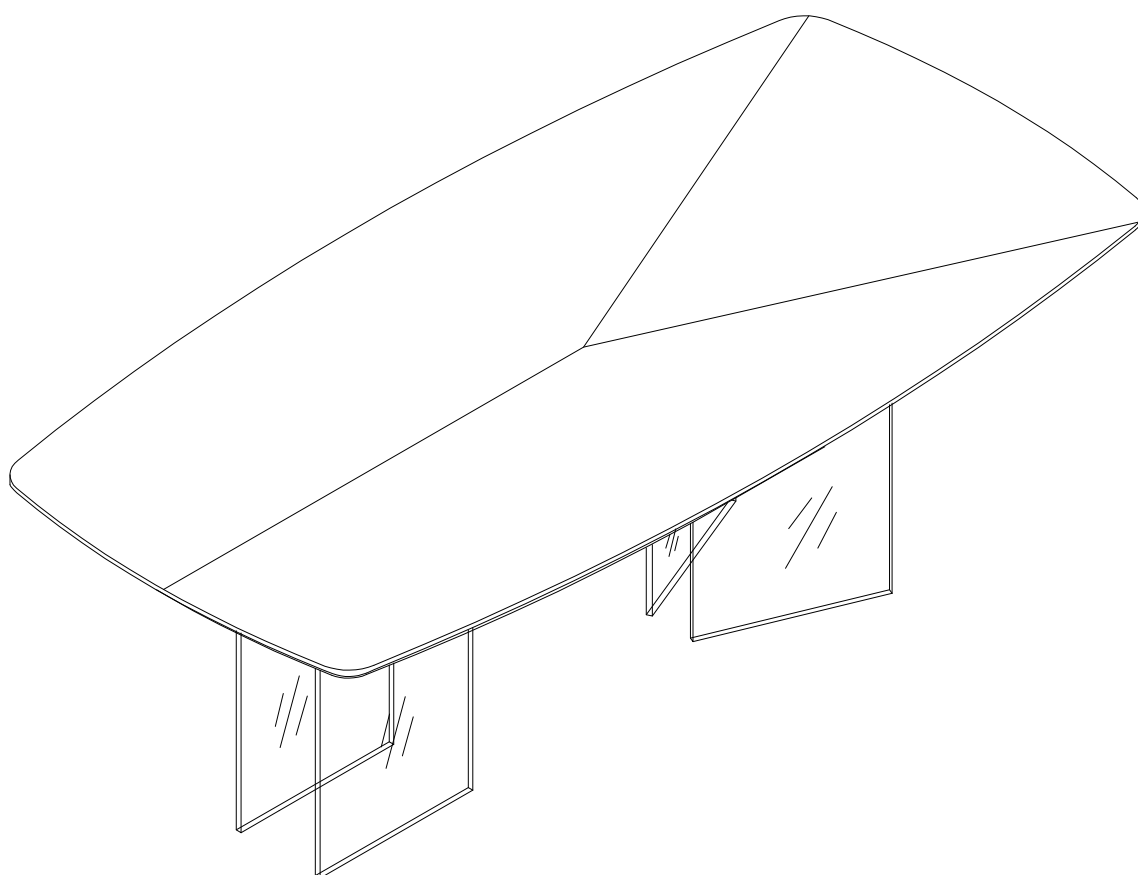


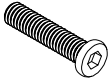
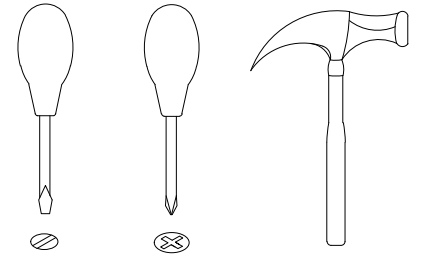
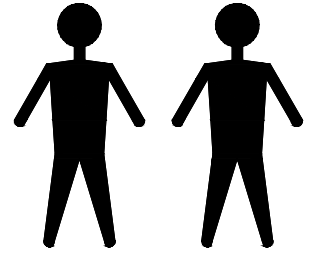


VC.ALT.DT.13.1



EAC

VC.ALT.DT.13.1



A x11
Spec: 5/16*L80



B x11
Spec: $\phi 8.2 * \phi 18$



C x1
Spec: 5#



D x12
Spec: 12* Φ 11.8



E x12
Spec: $\phi 18 * \phi 10$



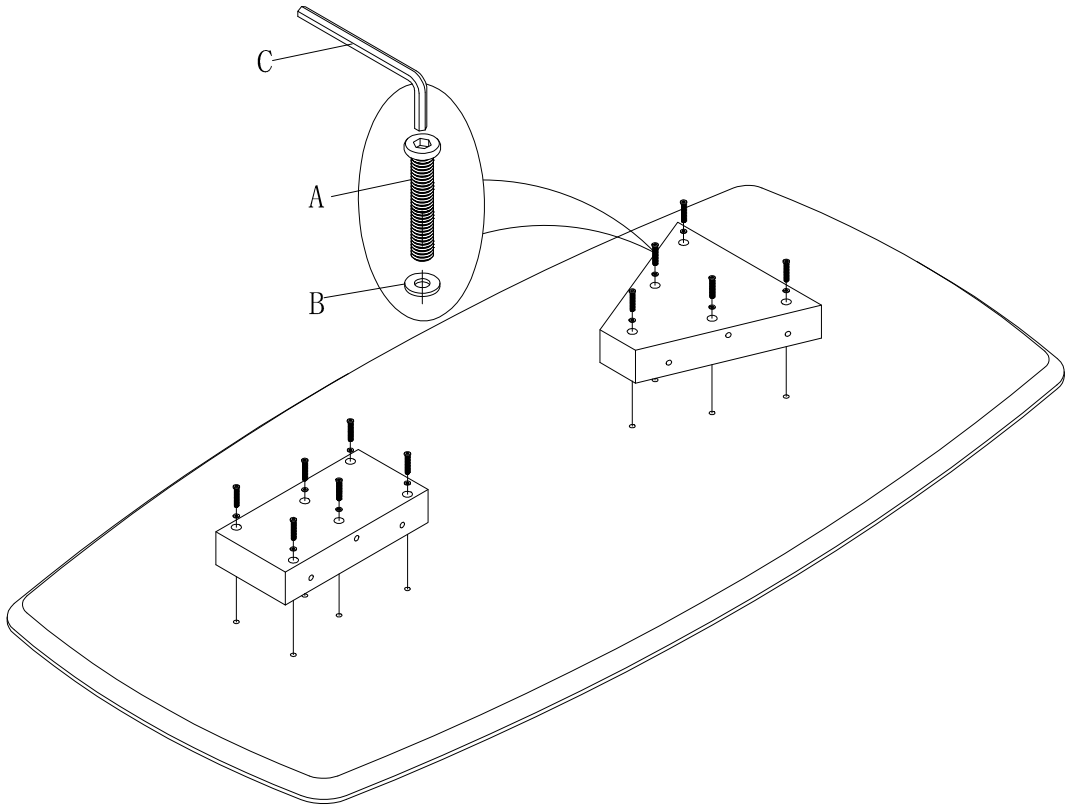
F x12
Spec: $\phi 15 * \phi 8 * L32$



G x12
Spec: $\phi 25 * 8H$

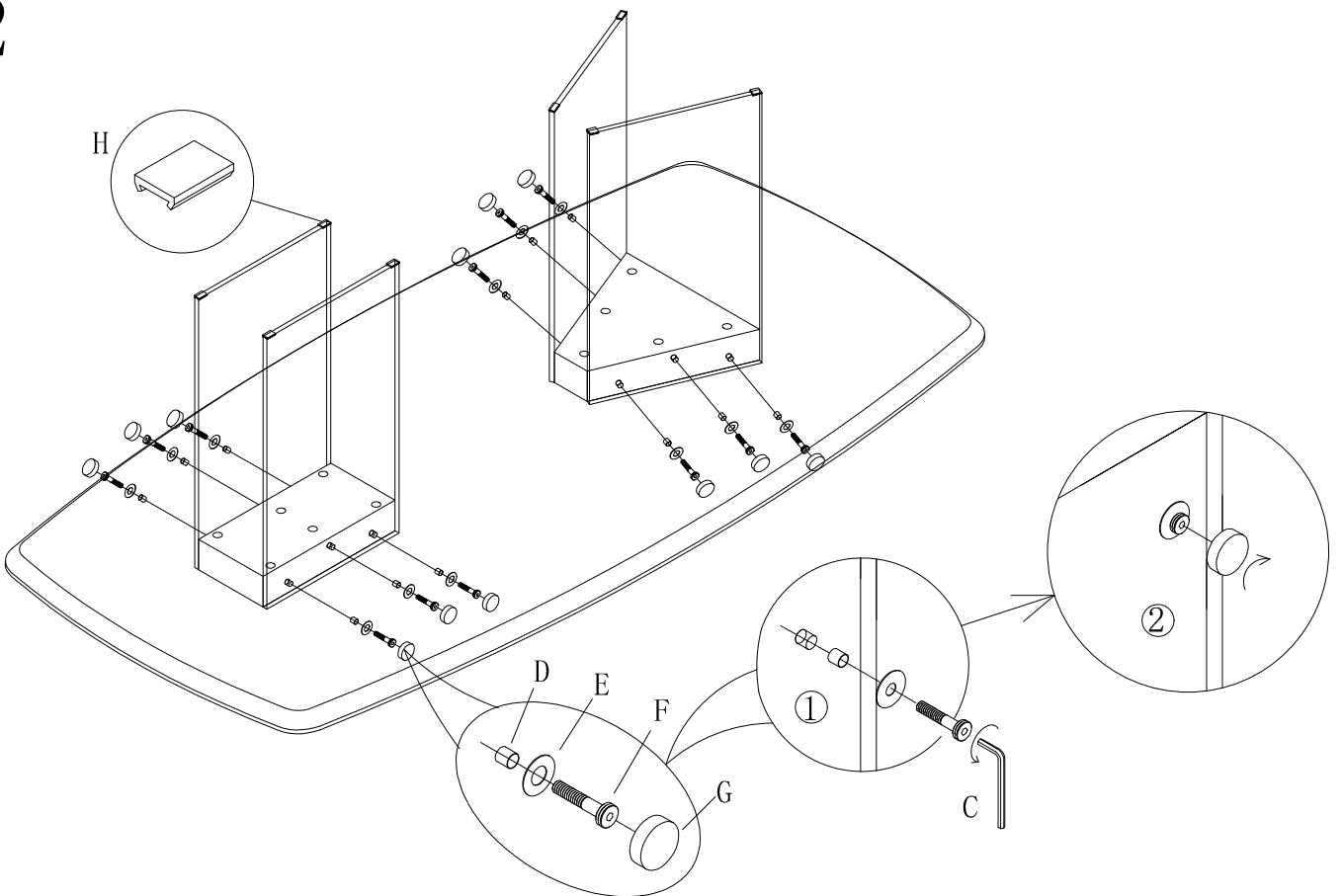


H x8
Spec:



1

2



Adjustable Method

