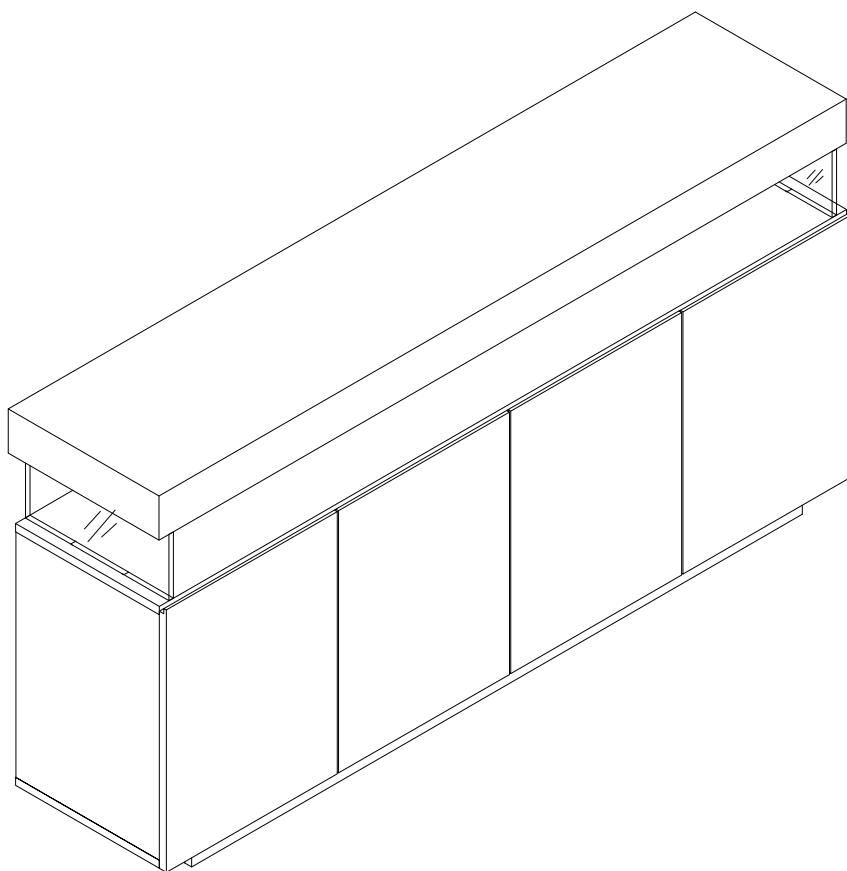


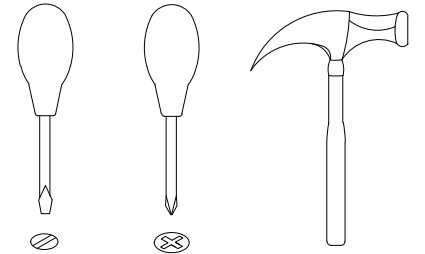
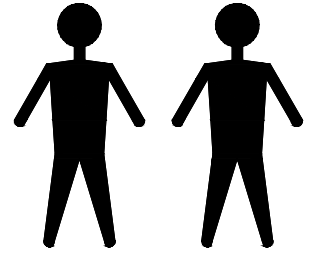


VC.ALT.SB.15.1

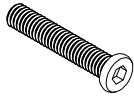


EAC

VC.ALT.SB.15.1



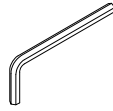
A x12
Spec: 12*Φ11.8



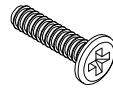
B x12
Spec: 5/16*50



C x12
Spec: Φ18*Φ8



D x1
Spec: 5#



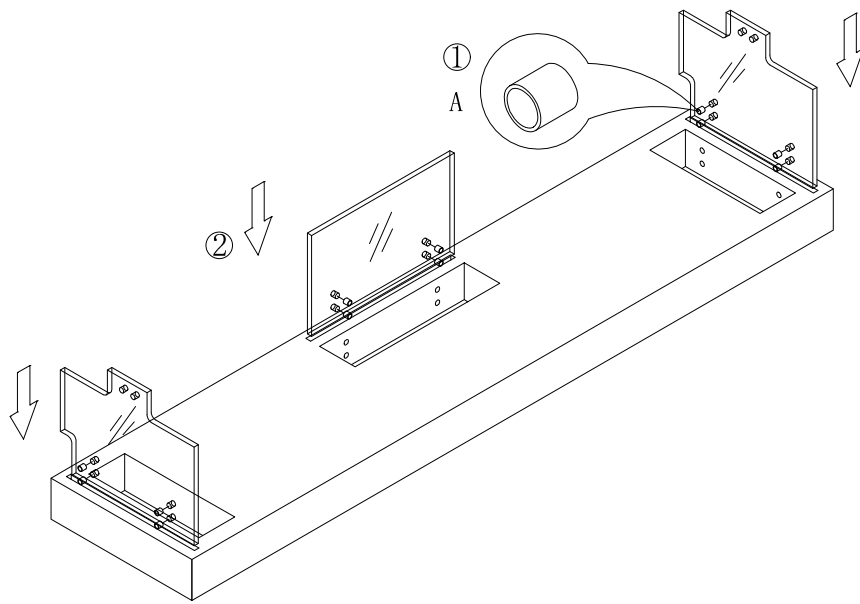
E x4
Spec: M6*30



F x4
Spec: Φ18*Φ10

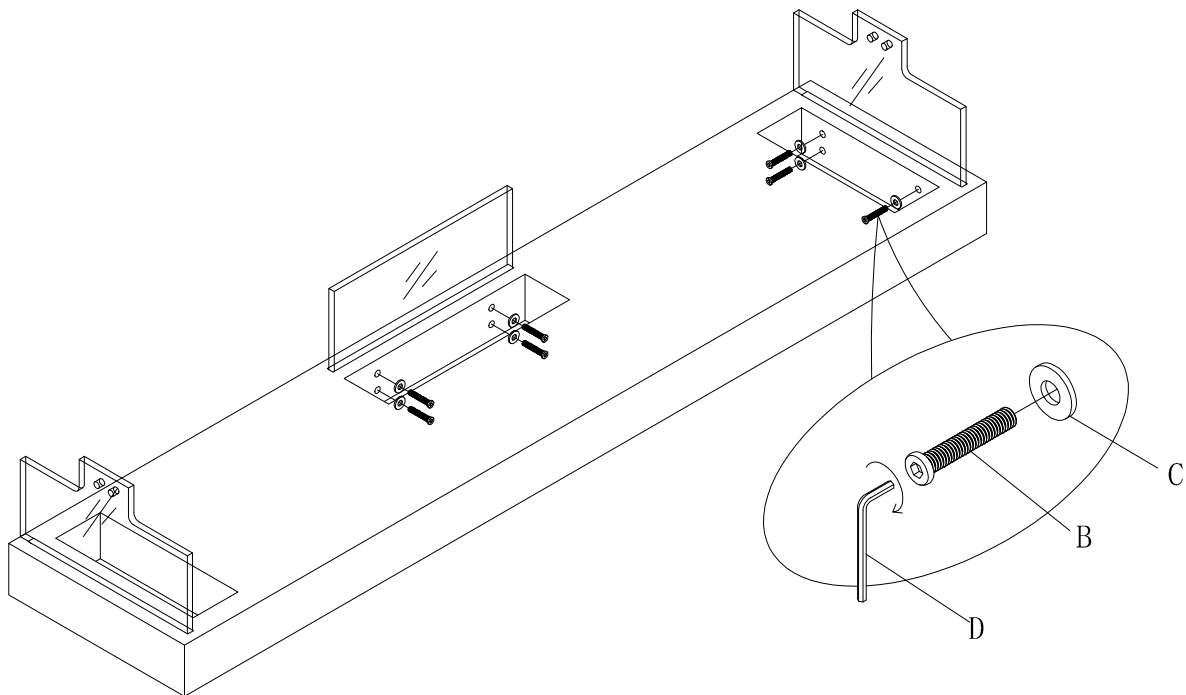


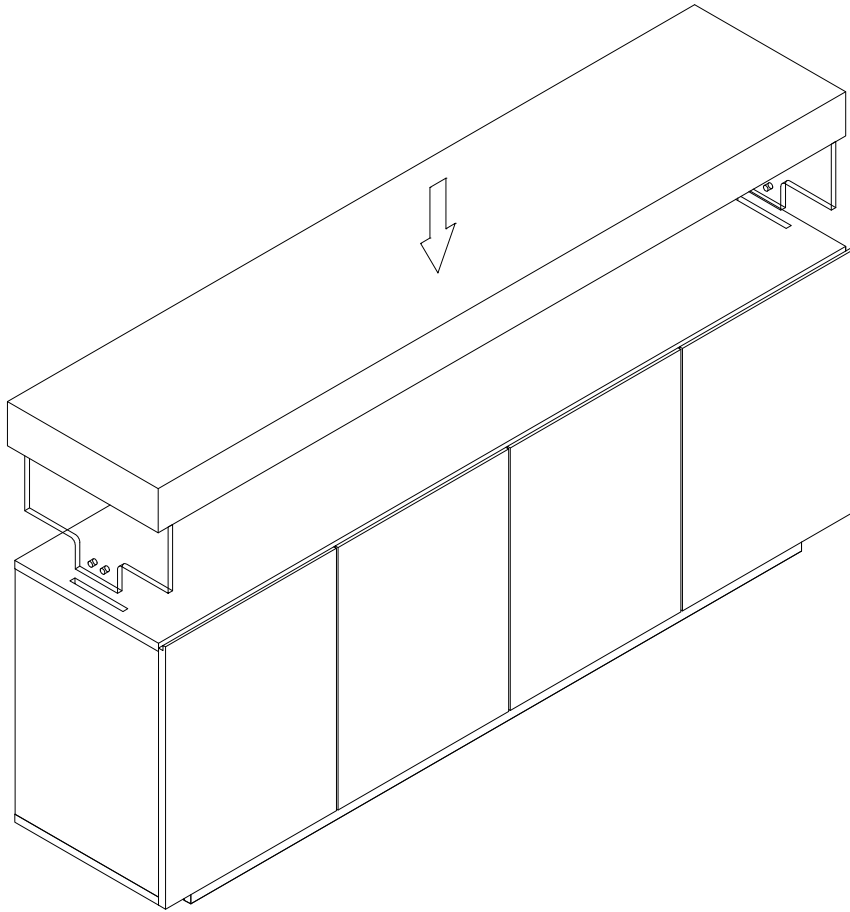
G x4
Spec: Φ11.8*18



1

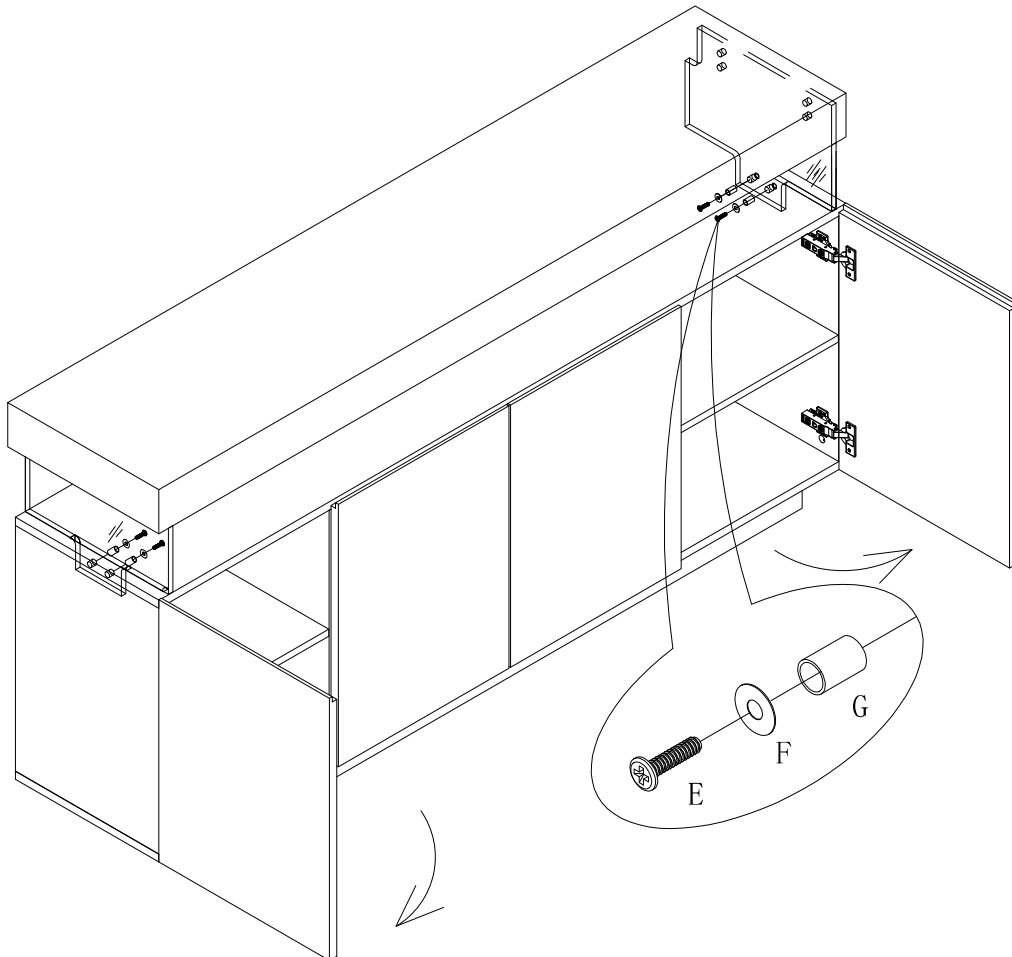
2

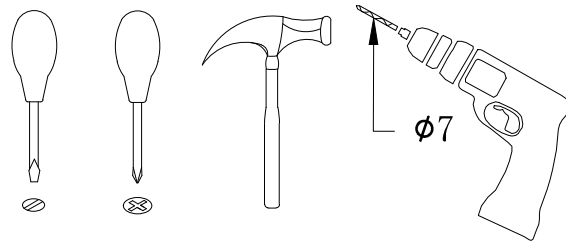




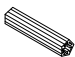





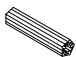

3

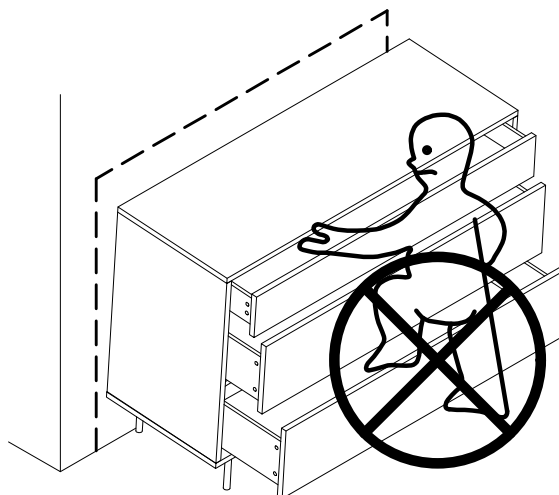
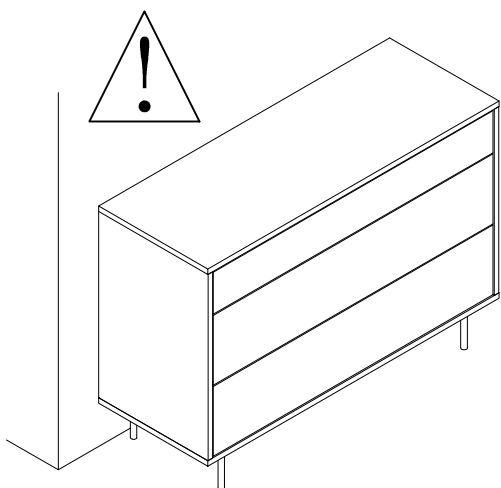
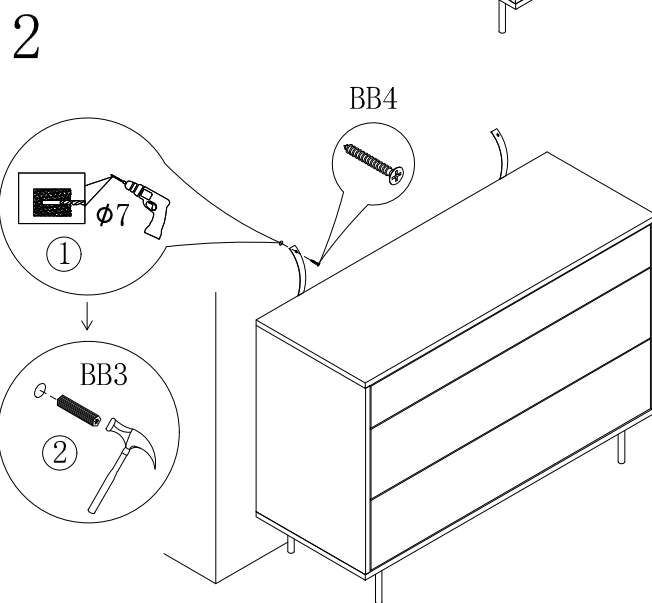
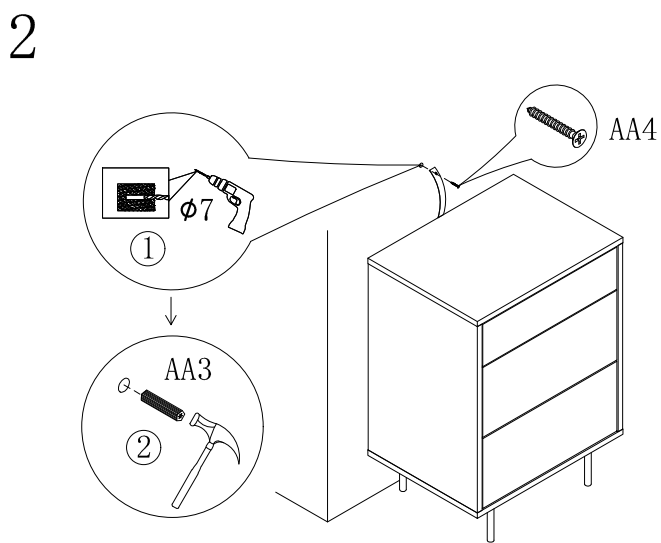
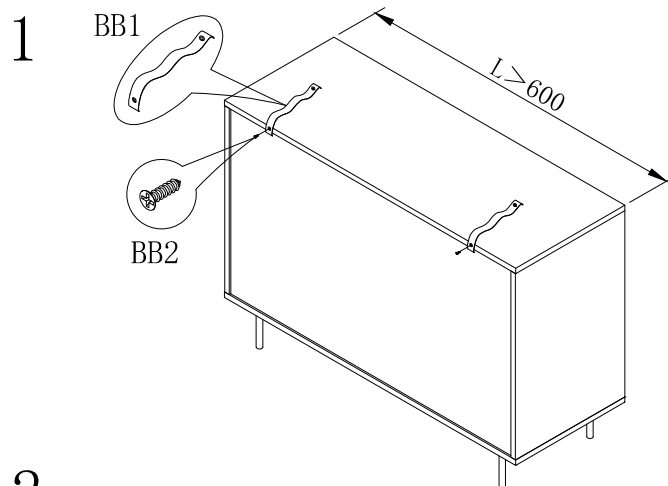
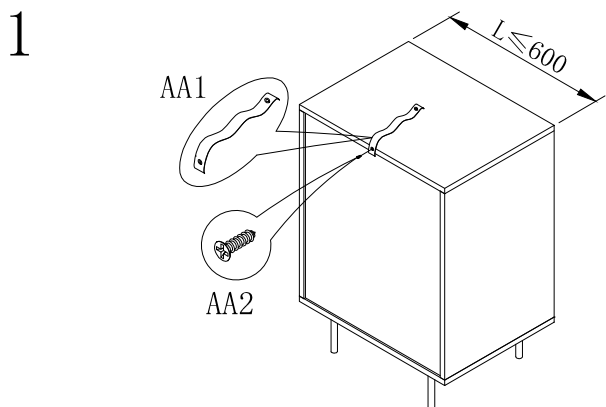
4



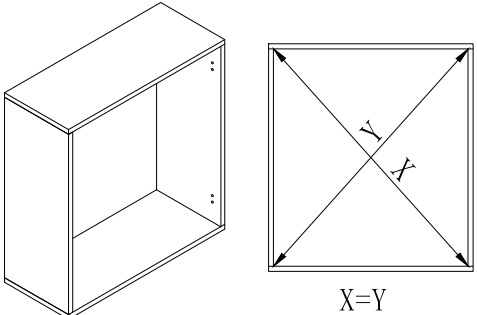


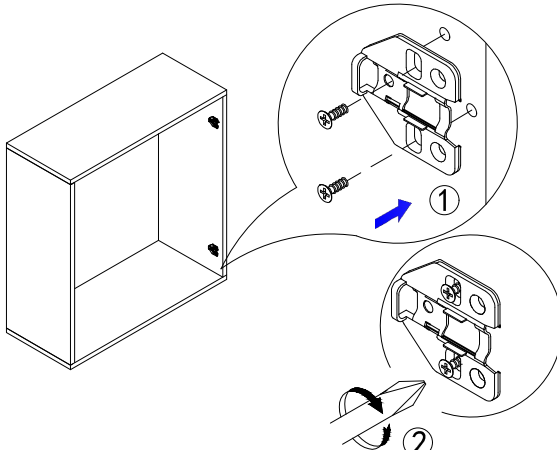
- 
 AA1 x1
 Spec: L215*W25
- 
 AA2 x1
 Spec: $\phi 3.8 * L16$
- 
 AA3 x1
 Spec: $\phi 7 * L26$
- 
 AA4 x1
 Spec: $\phi 3.8 * L32$

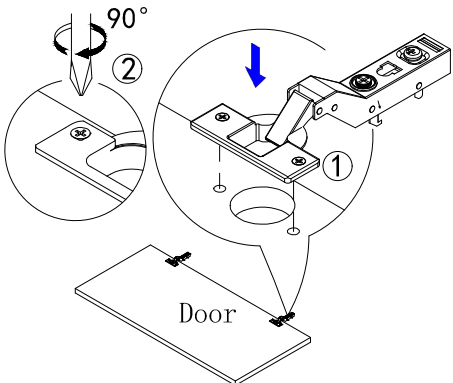
- 
 BB1 x2
 Spec: L215*W25
- 
 BB2 x2
 Spec: $\phi 3.8 * L16$
- 
 BB3 x2
 Spec: $\phi 7 * L26$
- 
 BB4 x2
 Spec: $\phi 3.8 * L32$

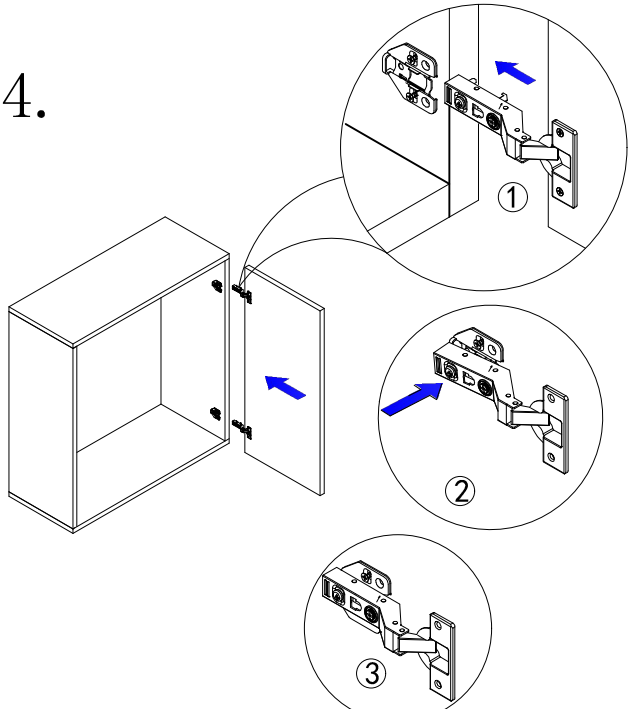


Door assembly:

- 

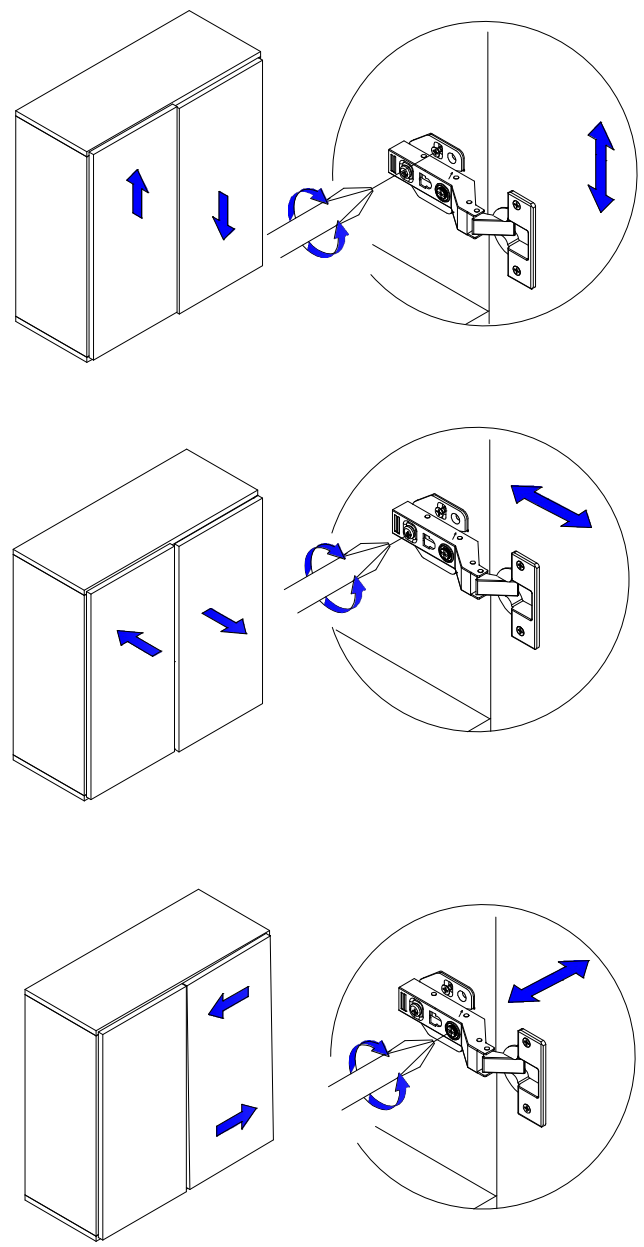
1. Cabinet and square diagram with diagonals X and Y, and $X=Y$.
- 

2. Cabinet with inset showing hinge installation on the frame.
- 

3. Cabinet with inset showing hinge installation on the door, labeled "Door".
- 

4. Cabinet with inset showing hinge adjustment on the door.

Adjustable Method:



Door Renival:

