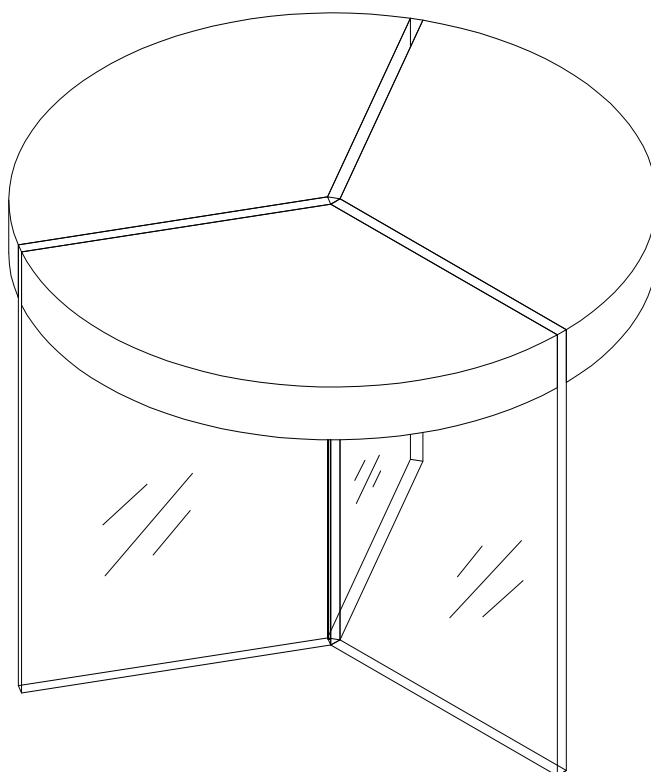


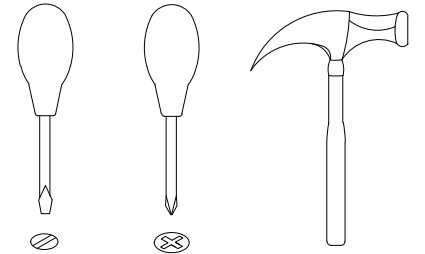
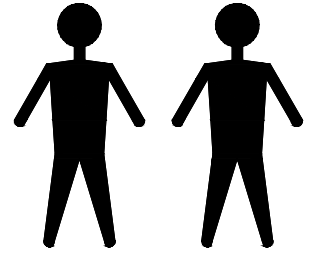


VC.ALT.ST.18.1



EAC

VC.ALT.ST.18.1



A x6
Spec: 12*Φ11.8



B x6
Spec:



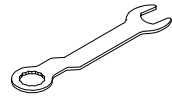
C x6
Spec: M8*L95



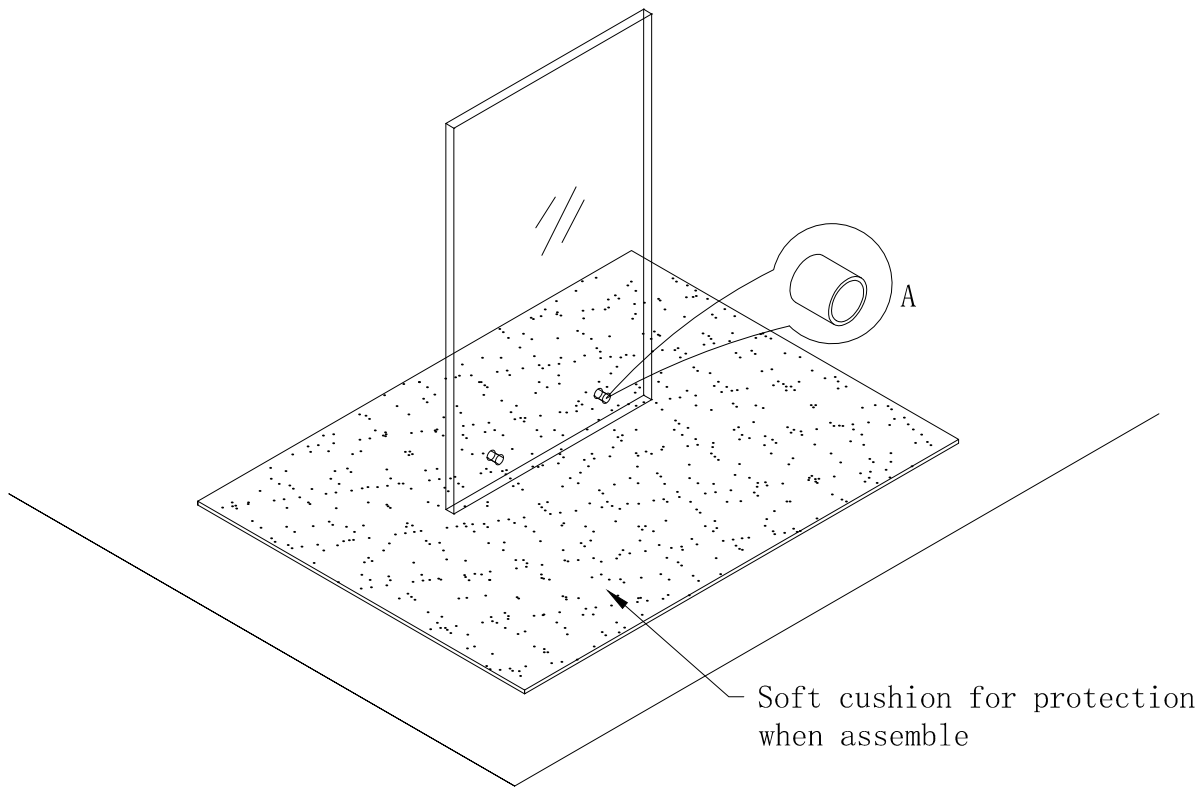
D x12
Spec: M8



E x12
Spec: Φ8.2*Φ18



F x2
Spec: 14#



1

2

