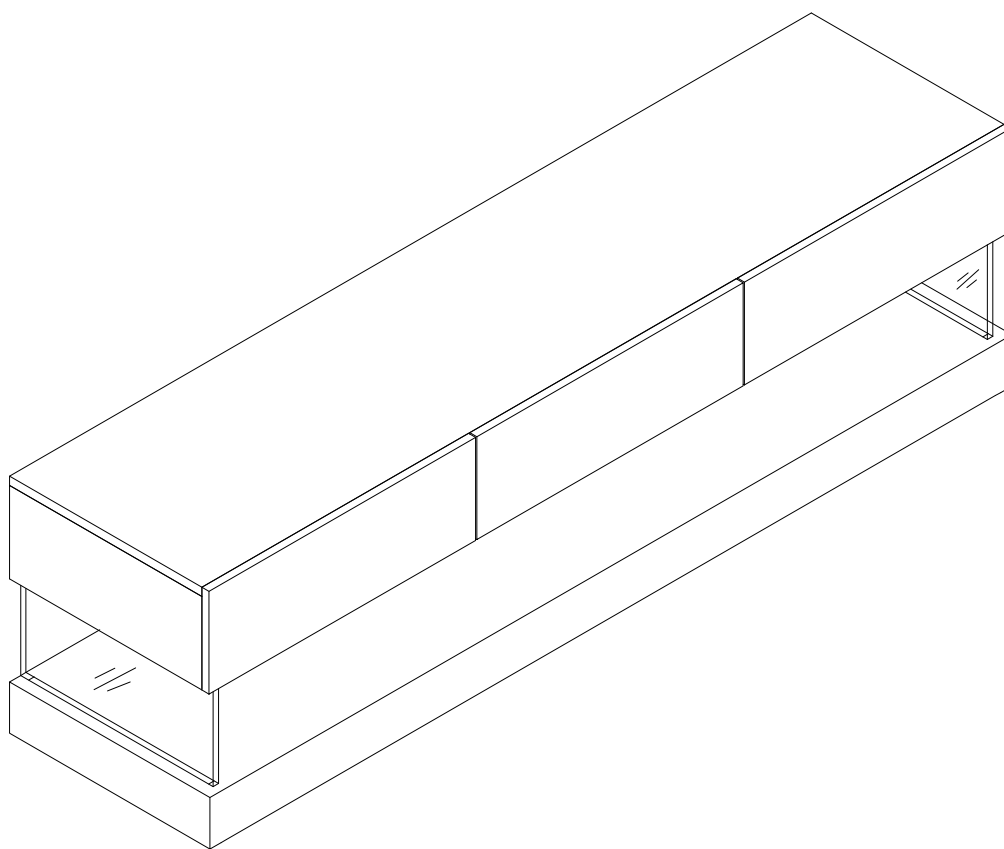


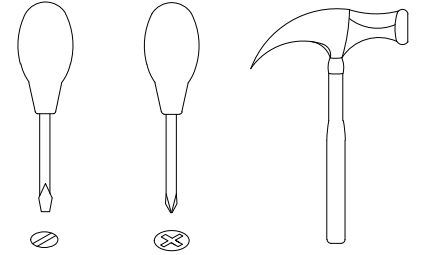
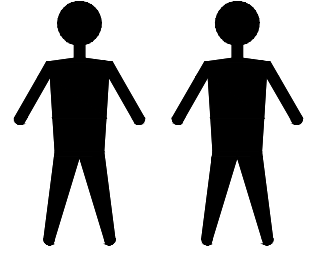


VC.ALT.TV.16.1

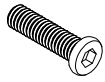


EAC

VC.ALT.TV.16.1



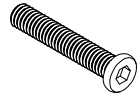
A x14
Spec: 12*Φ11.8



B x8
Spec: 5/16*40



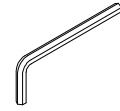
C x8
Spec: Φ8.2*Φ14



D x6
Spec: 5/16*50



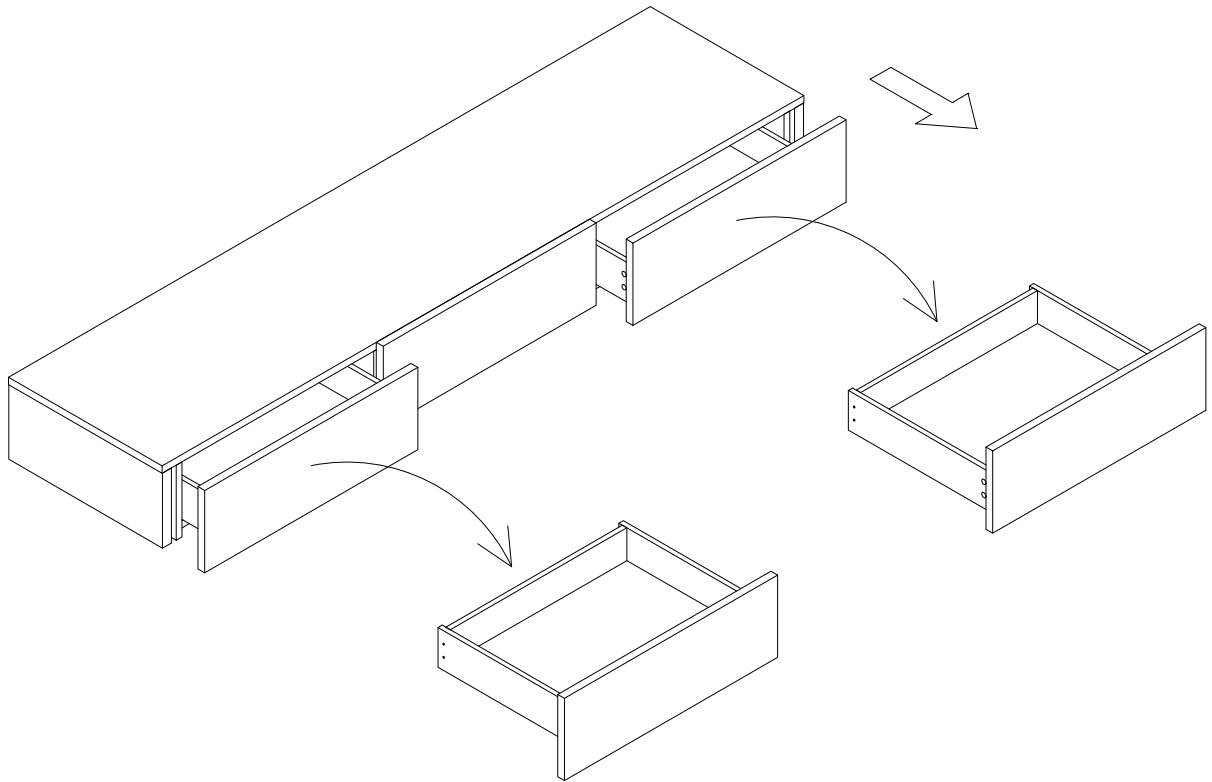
E x6
Spec: Φ8.2*Φ18



F x1
Spec: 5#

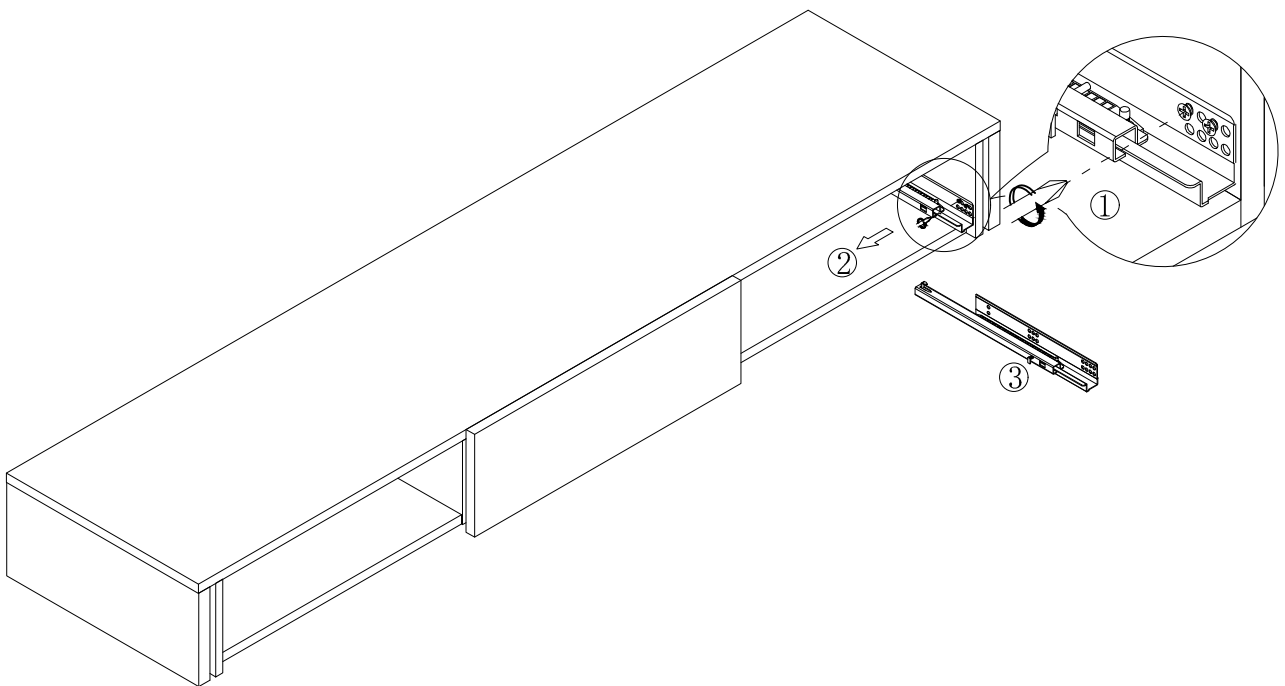


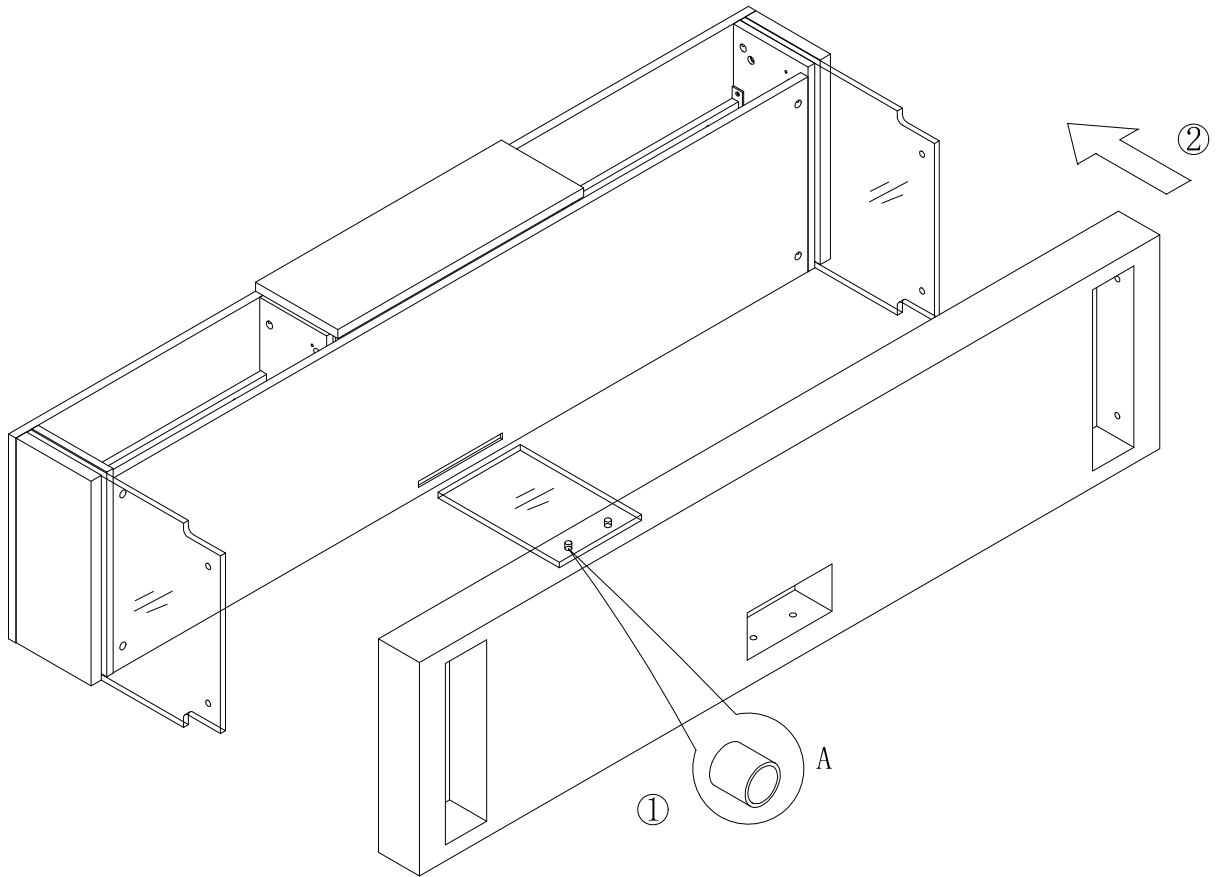
G x6
Spec:



1

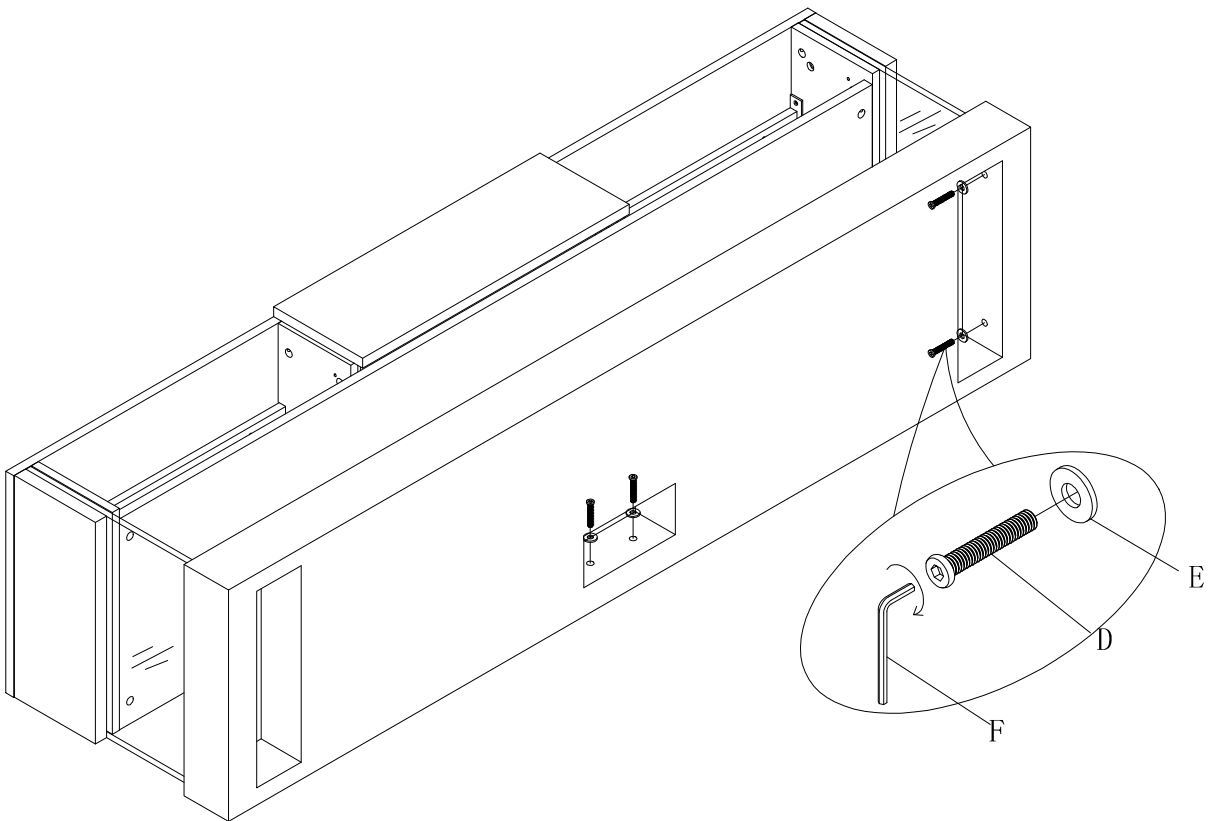
2

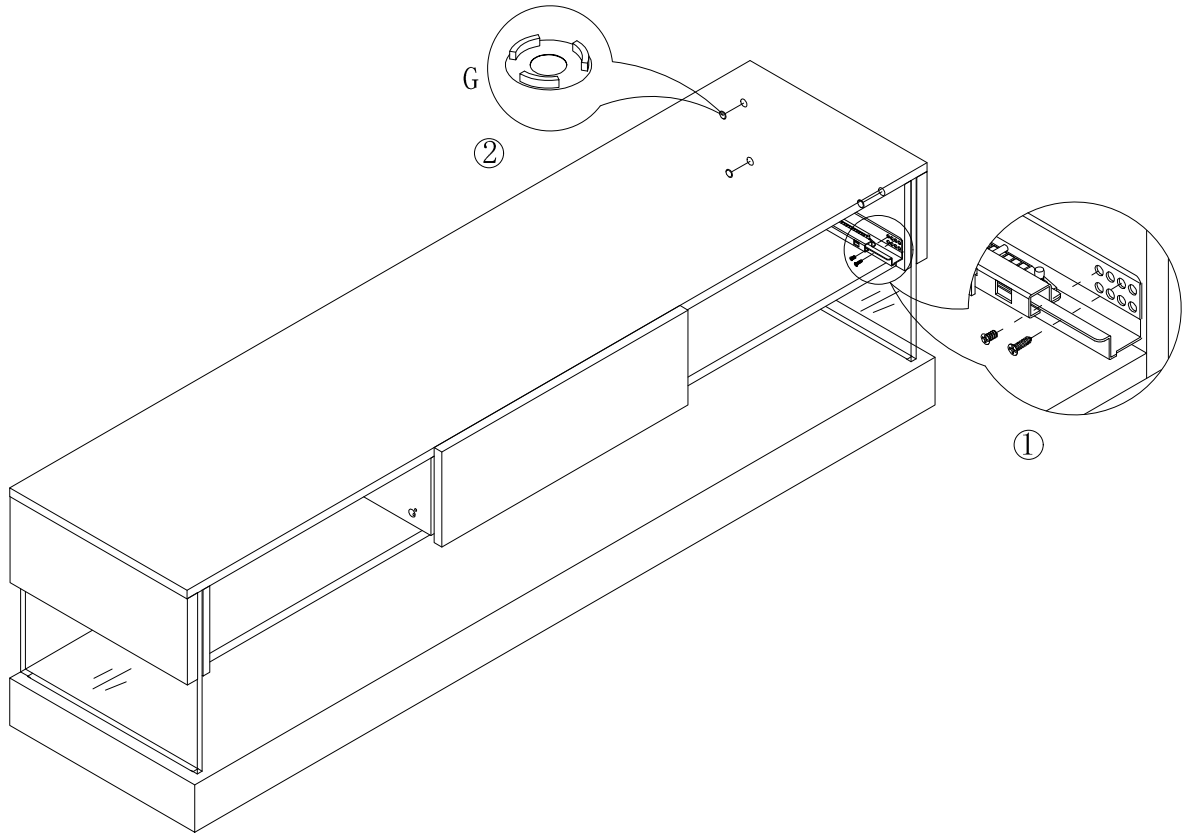




5

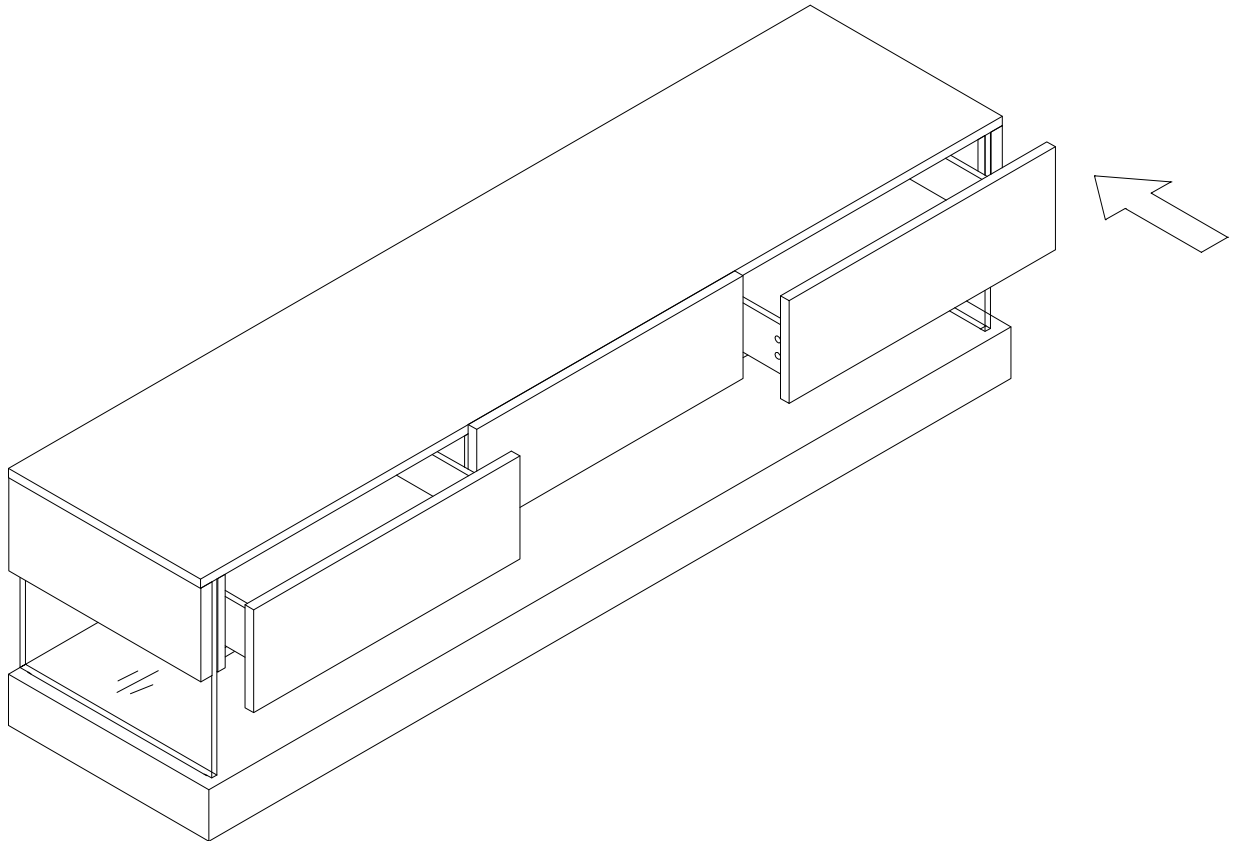
6





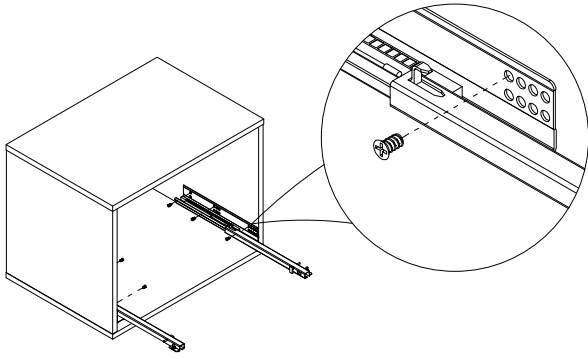
7

8

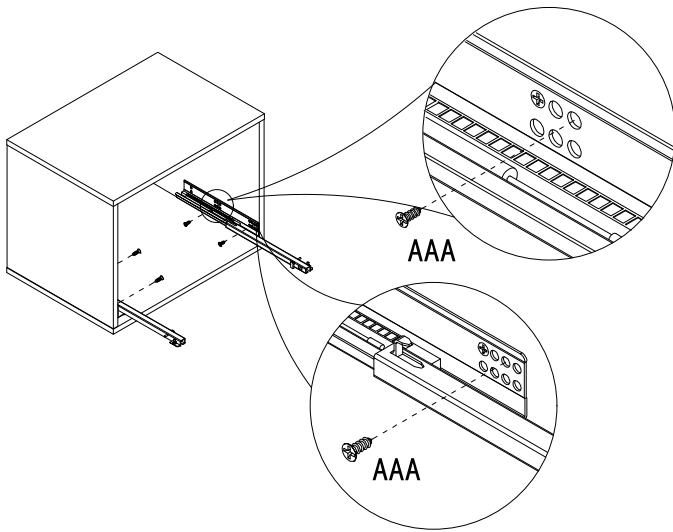


Drawer assembly

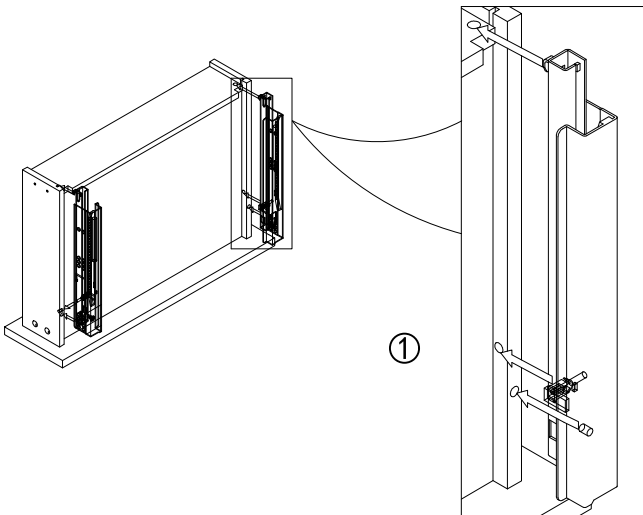
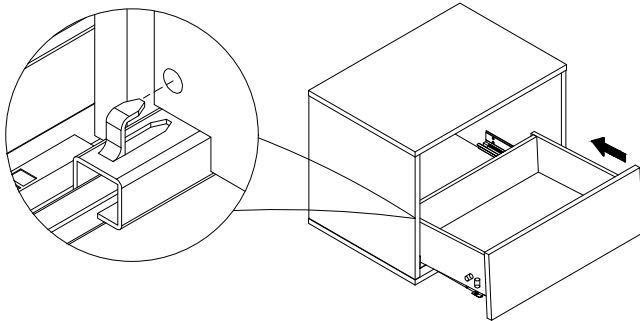
1



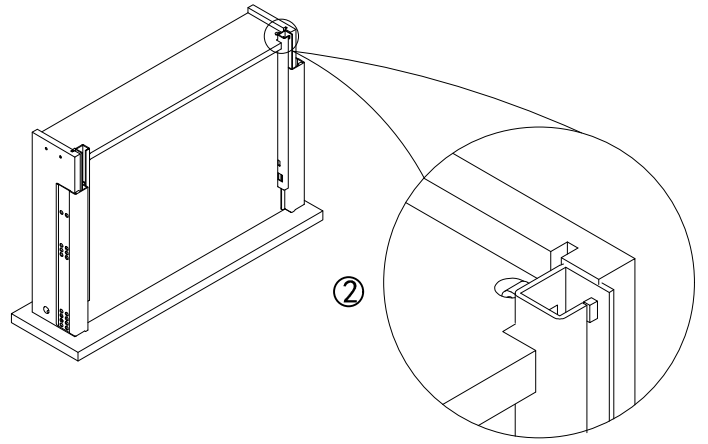
2



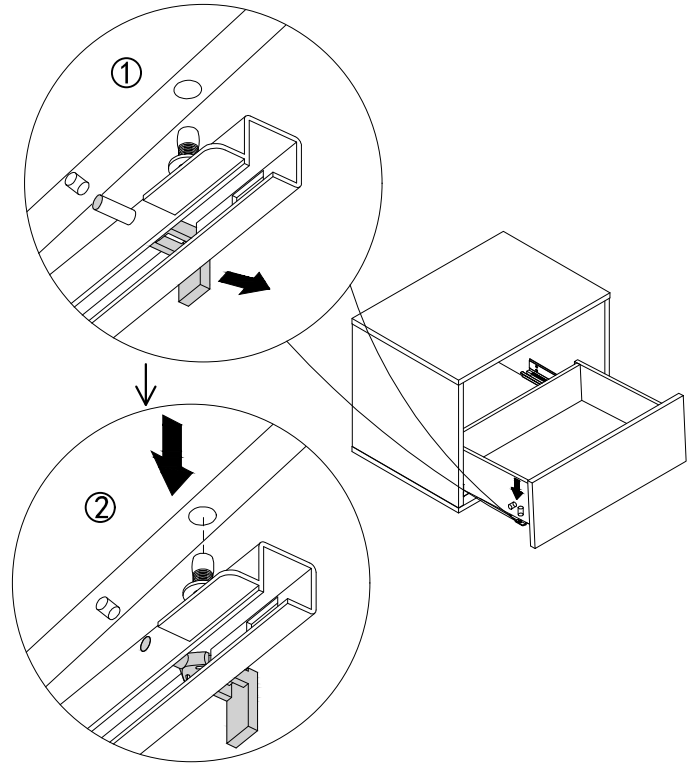
3



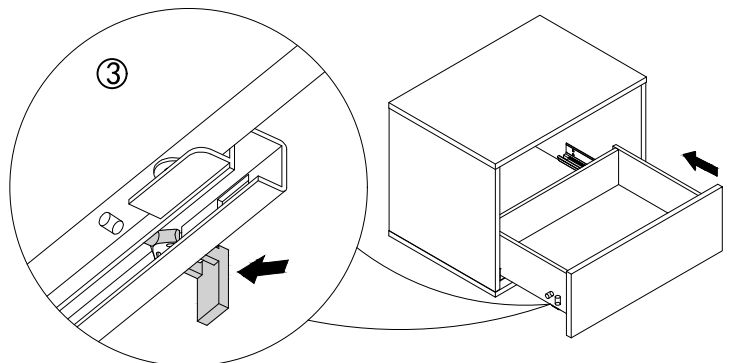
2



4

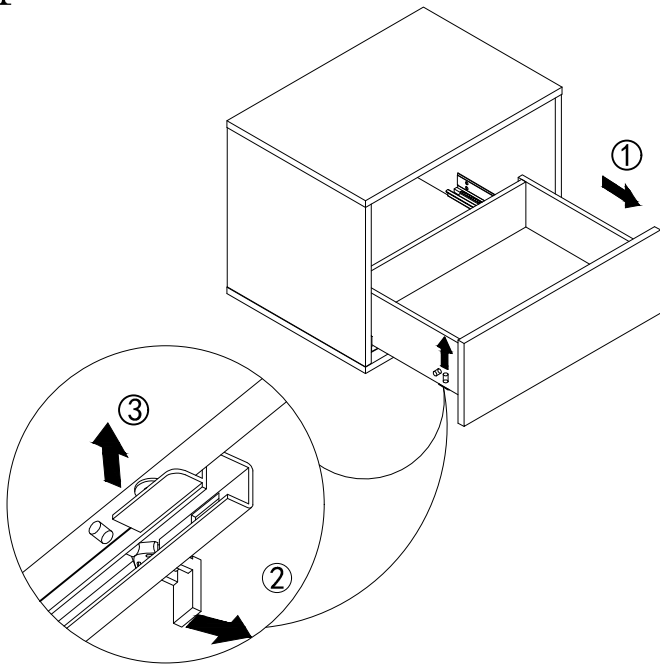


5

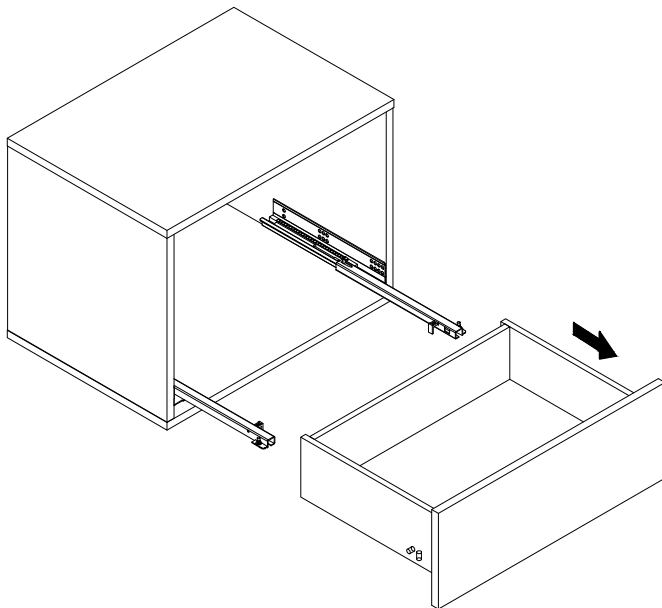


Drawer Renival

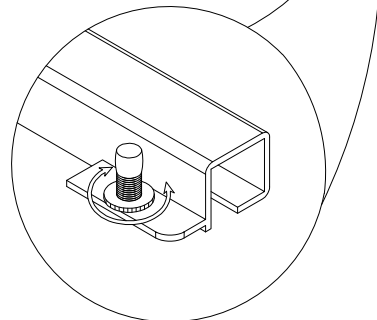
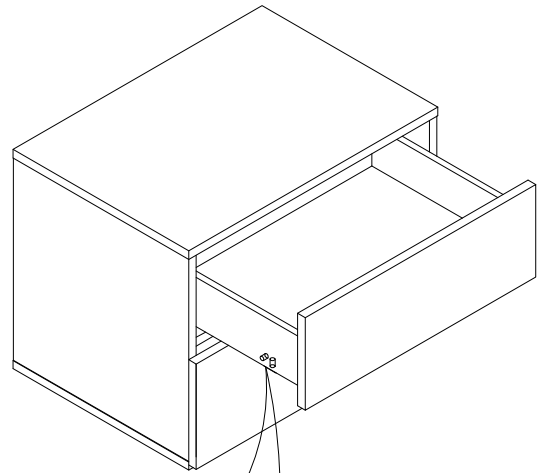
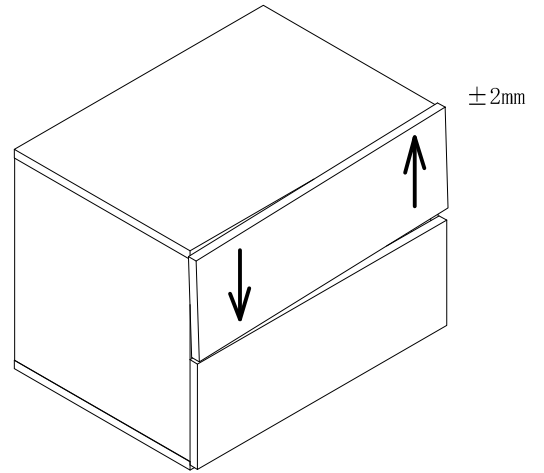
1

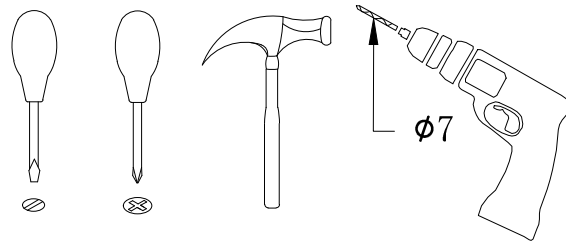




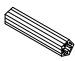

2



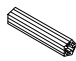



Adjustable Method





- 
AA1 x1
 Spec: L215*W25
- 
AA2 x1
 Spec: $\phi 3.8 * L16$
- 
AA3 x1
 Spec: $\phi 7 * L26$
- 
AA4 x1
 Spec: $\phi 3.8 * L32$

- 
BB1 x2
 Spec: L215*W25
- 
BB2 x2
 Spec: $\phi 3.8 * L16$
- 
BB3 x2
 Spec: $\phi 7 * L26$
- 
BB4 x2
 Spec: $\phi 3.8 * L32$

