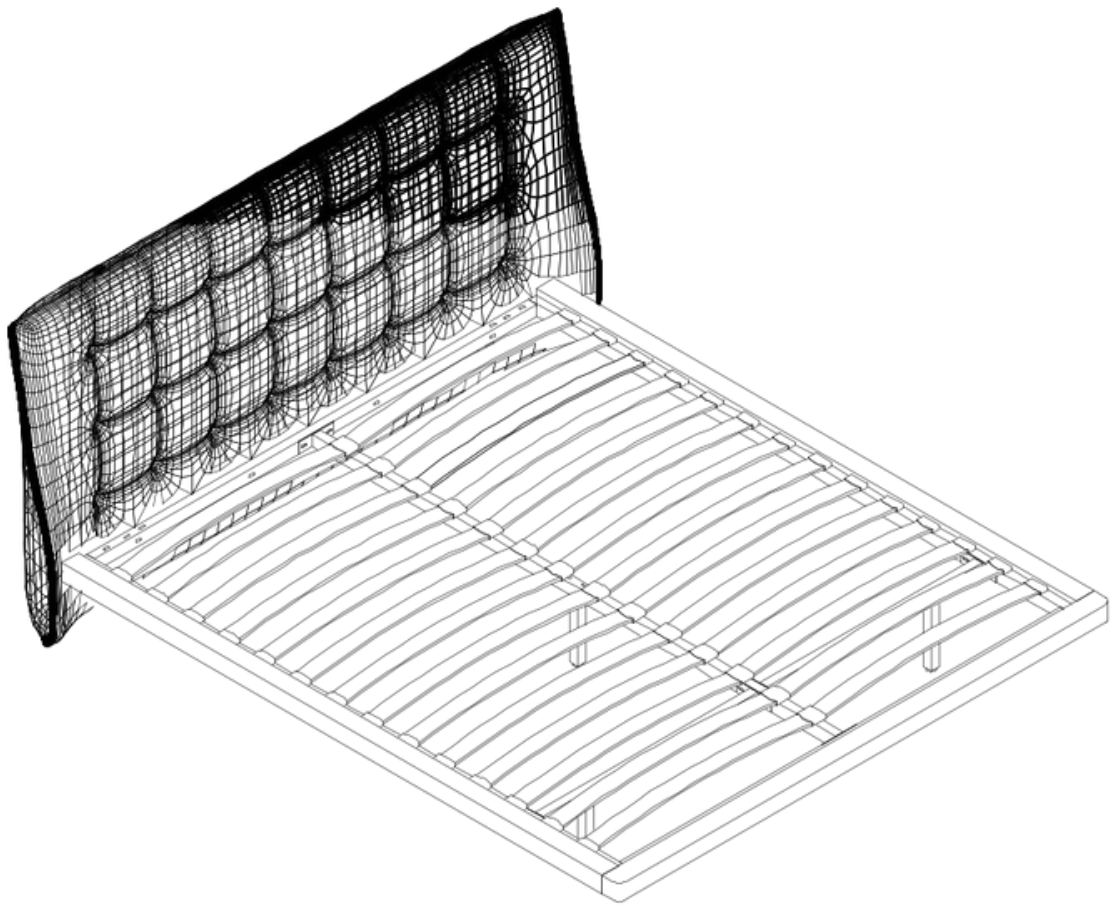


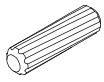
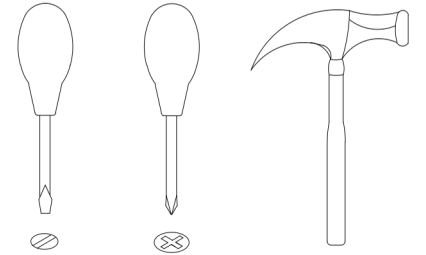
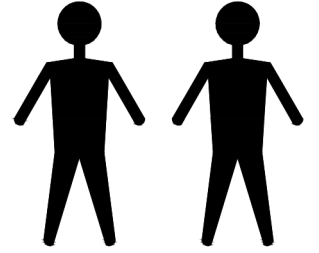


VC.AML.BD.21.1



EAC

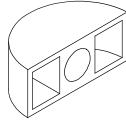
VC.AML.BD.21.1



A x16
Spec: $\varnothing 10 \times 40$



B x4
Spec: M8*L95



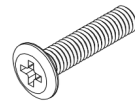
C x4
Spec:



D x4
Spec: M8



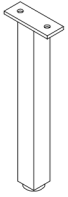
E x4
Spec: $\varnothing 38$



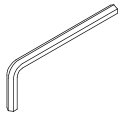
F x16
Spec: M6*45



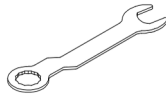
G x1
Spec: 10g



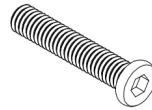
H x3
Spec: L235



I x1
Spec: 5#



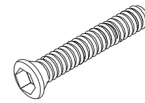
J x1
Spec: 14#



K x6
Spec: 5/16*L60



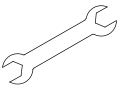
L x22
Spec: $\varnothing 8 \times \varnothing 18$



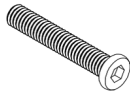
M x12
Spec: M6*L50



N x10
Spec: M6



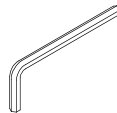
O x1
Spec: 10mm



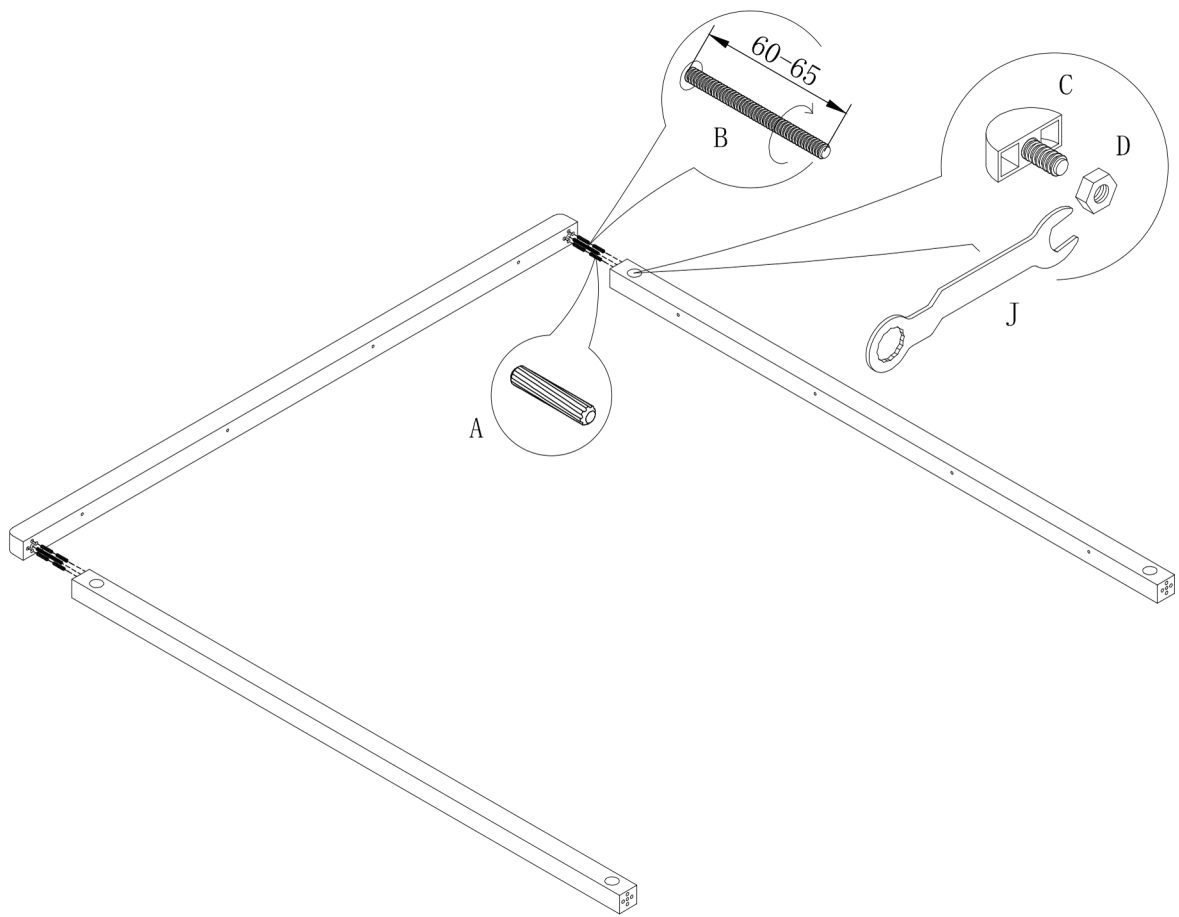
P x2
Spec: M6*L50



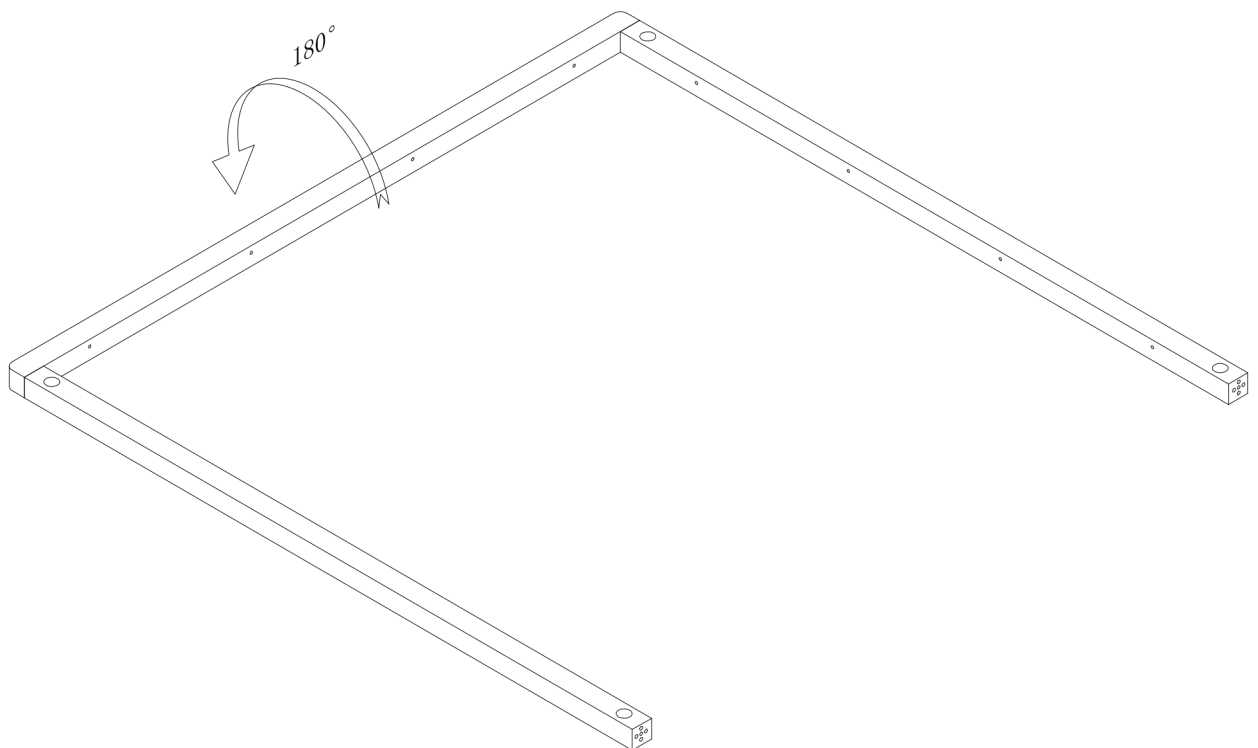
Q x10
Spec: $\varnothing 6 \times \varnothing 18$

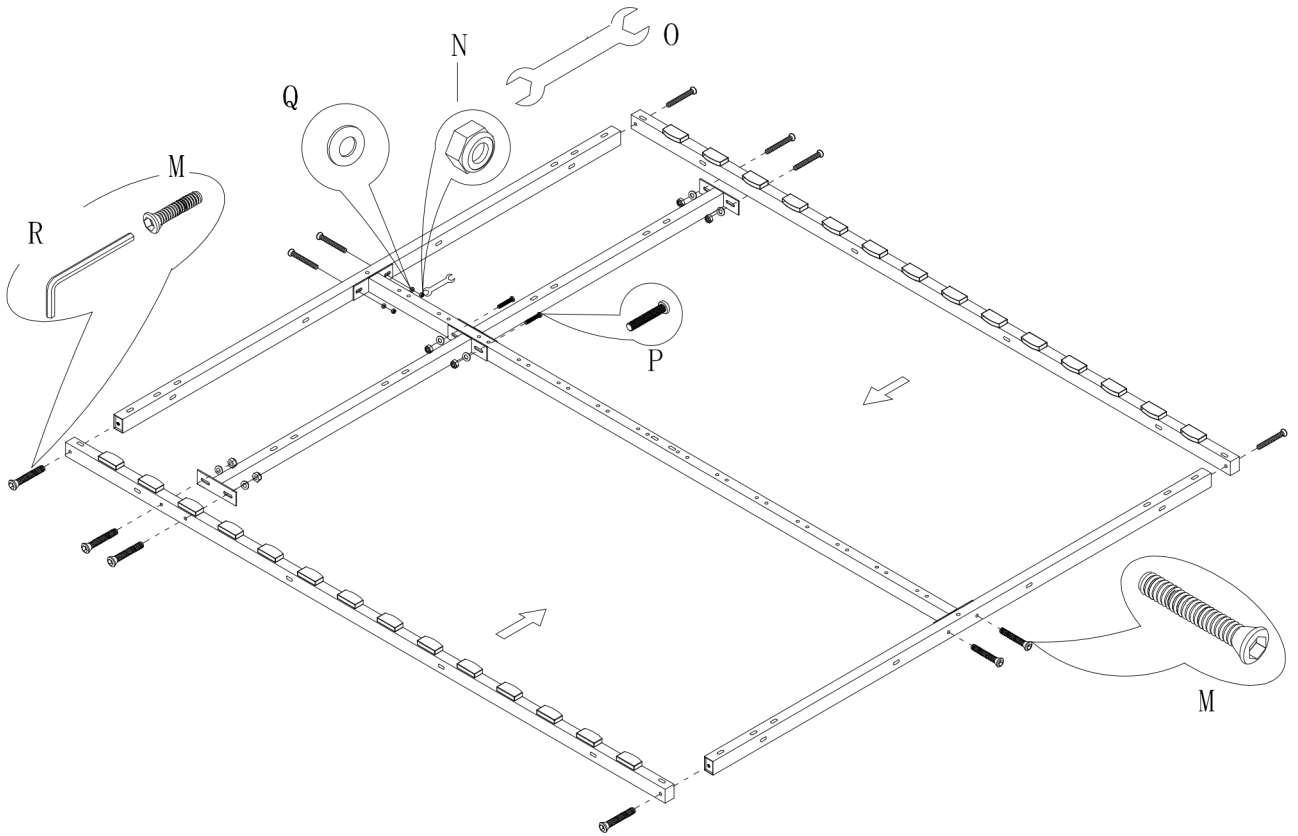


R x1
Spec: 4#



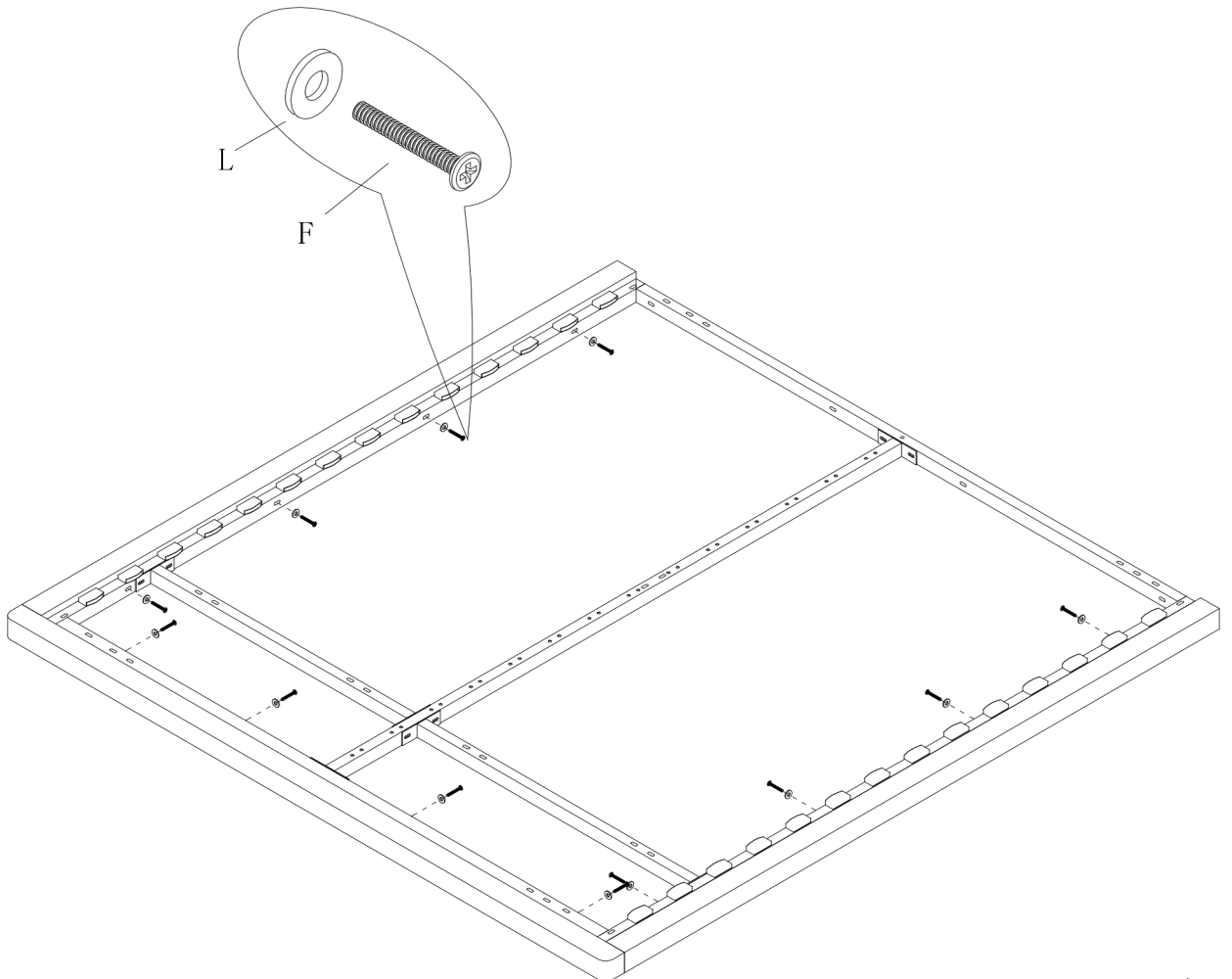
2



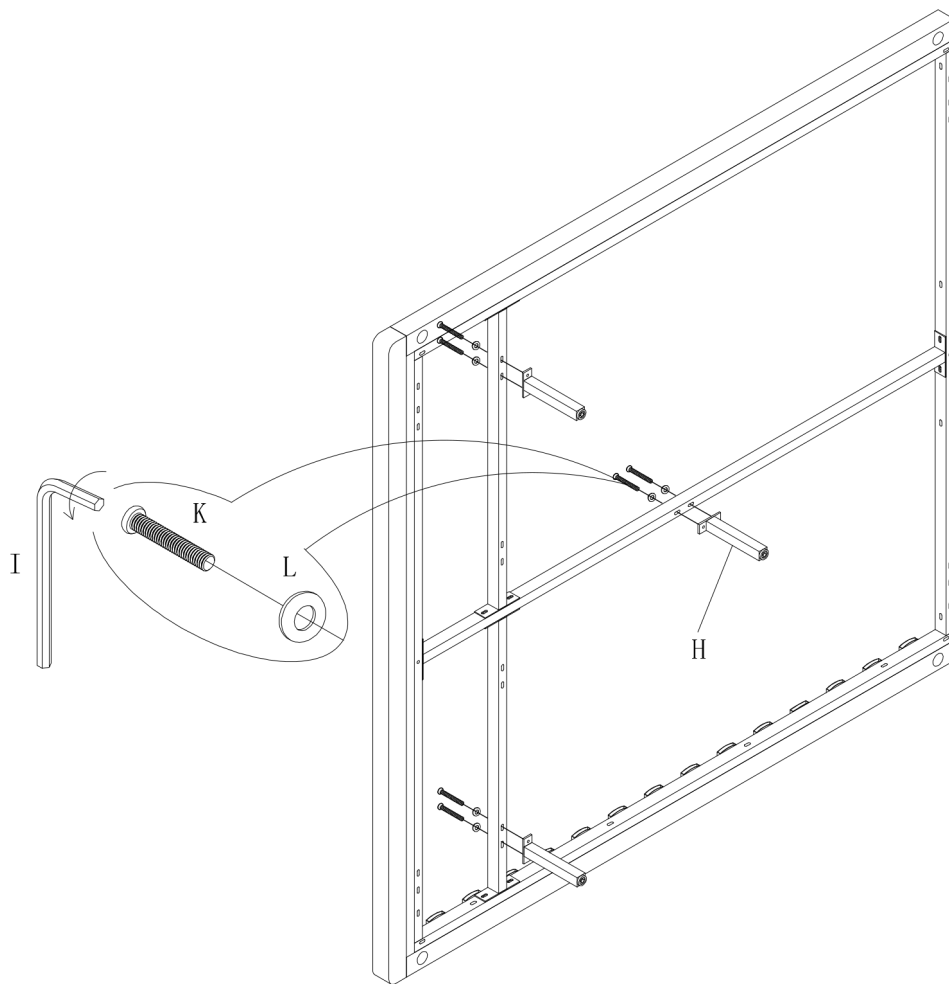


3

4



5



6

