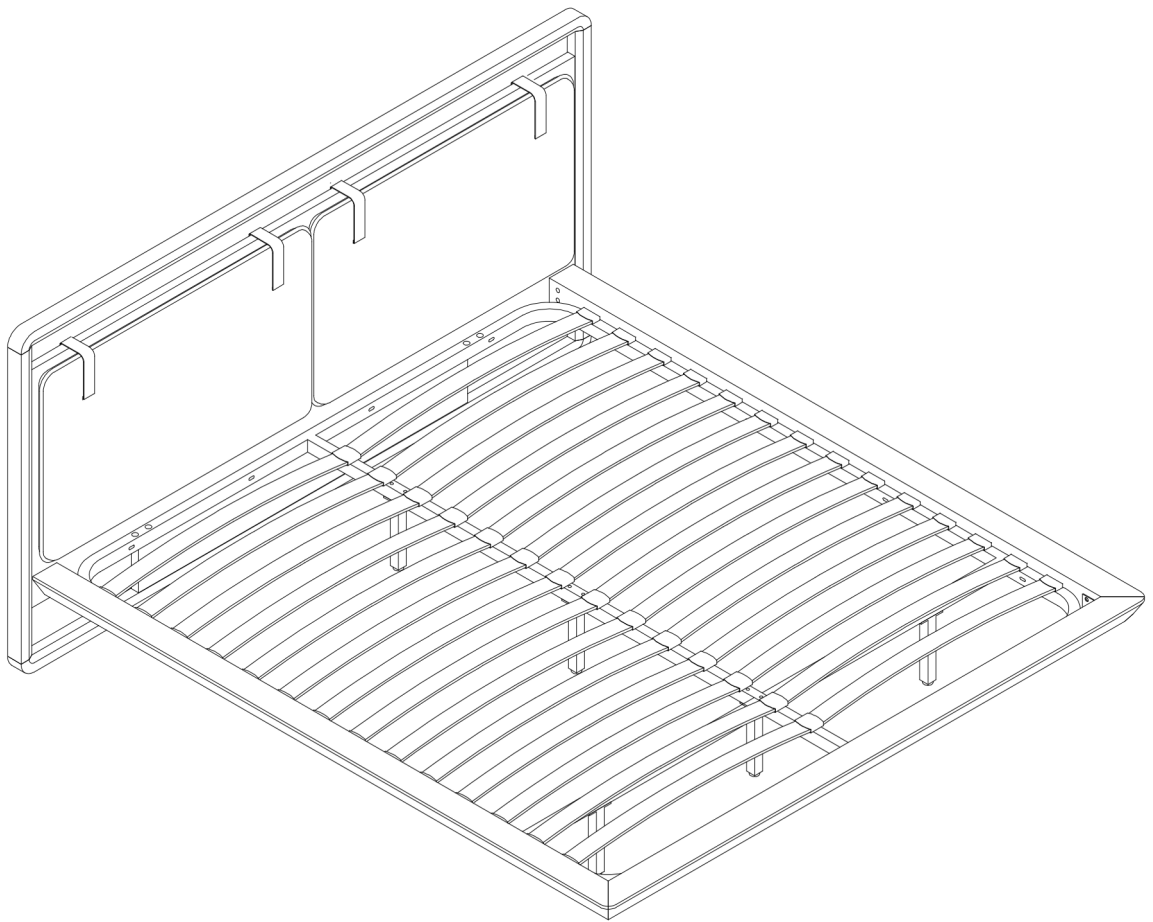


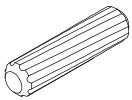
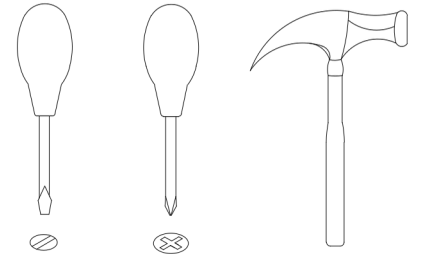
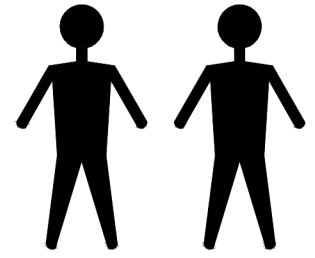


VC.SPL.BD.21.1



EAC

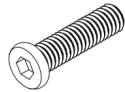
VC.SPL.BD.21.1



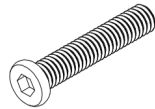
A x4
Spec: $\varnothing 10 \times 40$



B x4
Spec: $\frac{5}{16} \times H18$



C x24
Spec: $5/16 \times L25$



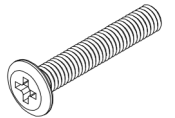
D x4
Spec: $5/16 \times L60$



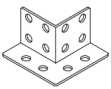
E x4
Spec: $\varnothing 14 \times 8.2 \times 1$



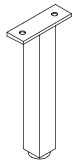
F x50
Spec: $\varnothing 18 \times 8.2 \times 2$



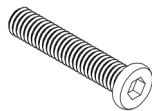
G x16
Spec: M6*45



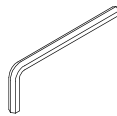
H x2
Spec: $100 \times 100 \times 60$



I x5
Spec: L220



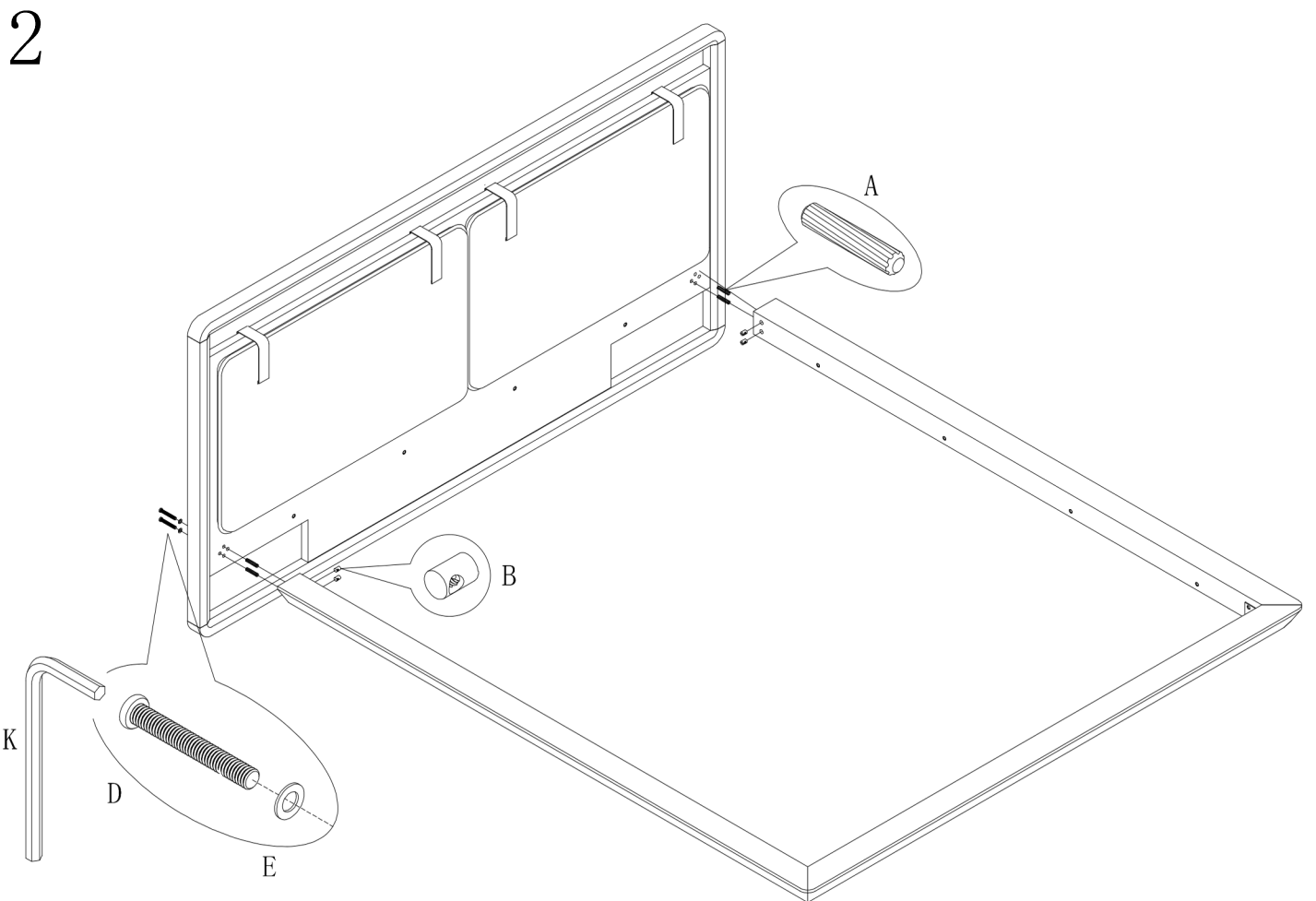
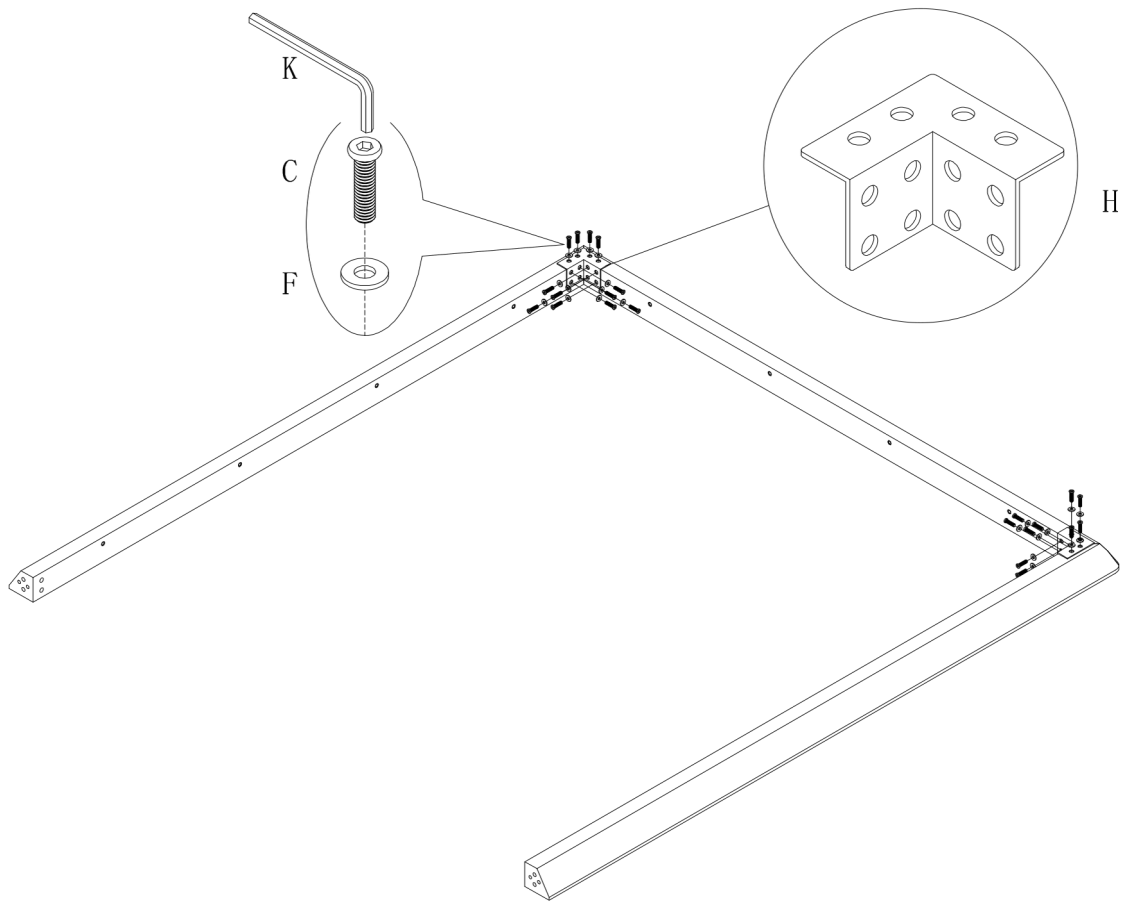
J x10
Spec: $5/16 \times L60$

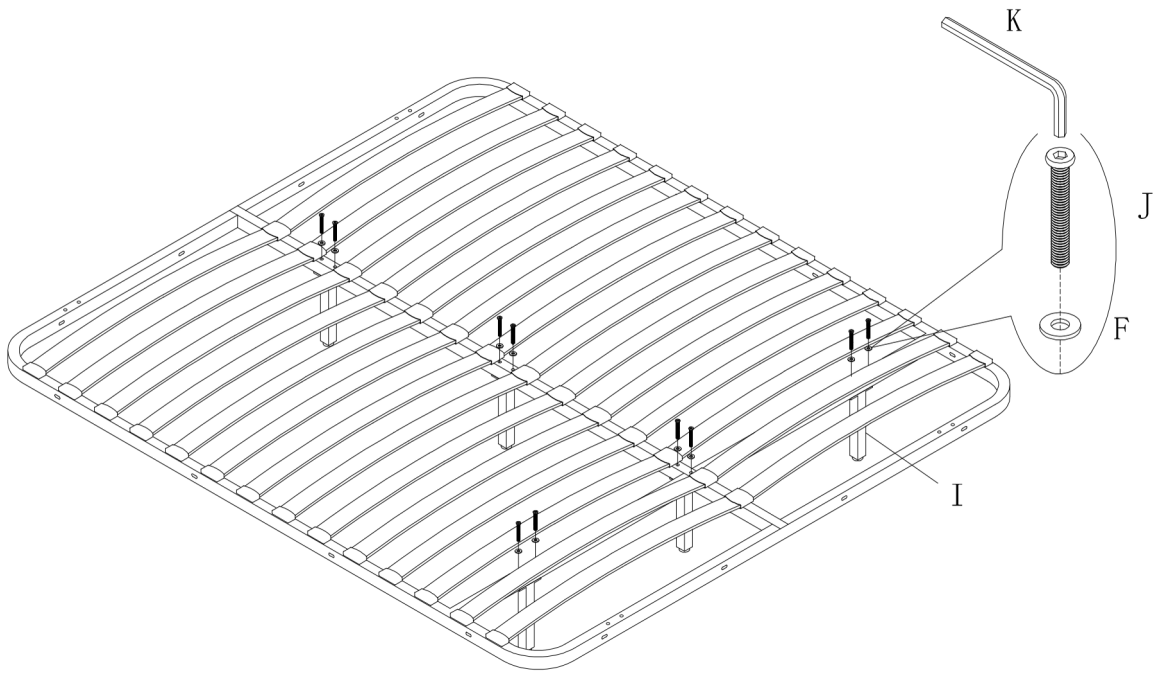


K x1
Spec: 5#



L x1
Spec: 10g





3

4

