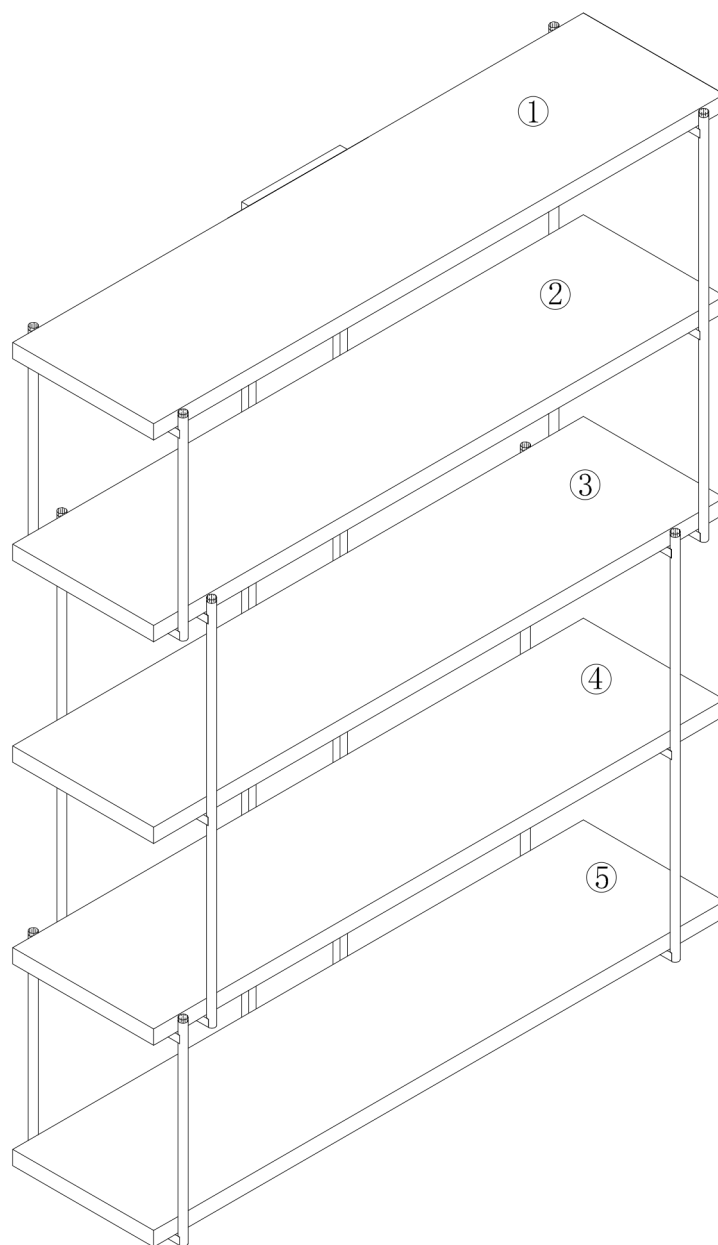


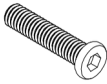
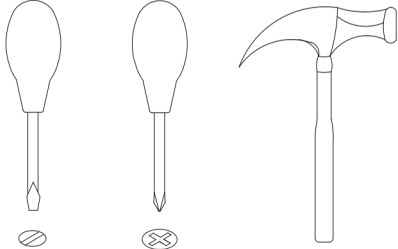
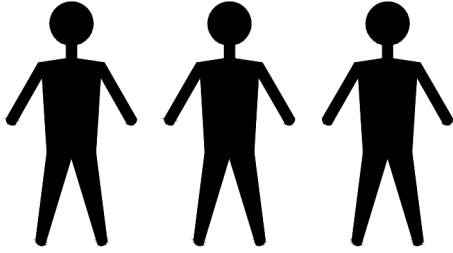


VC.SPL.SU.113.1



**EAC**

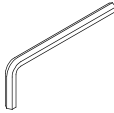
# VC.SPL.SU.113.1



A x49  
Spec: 5/16\*L40



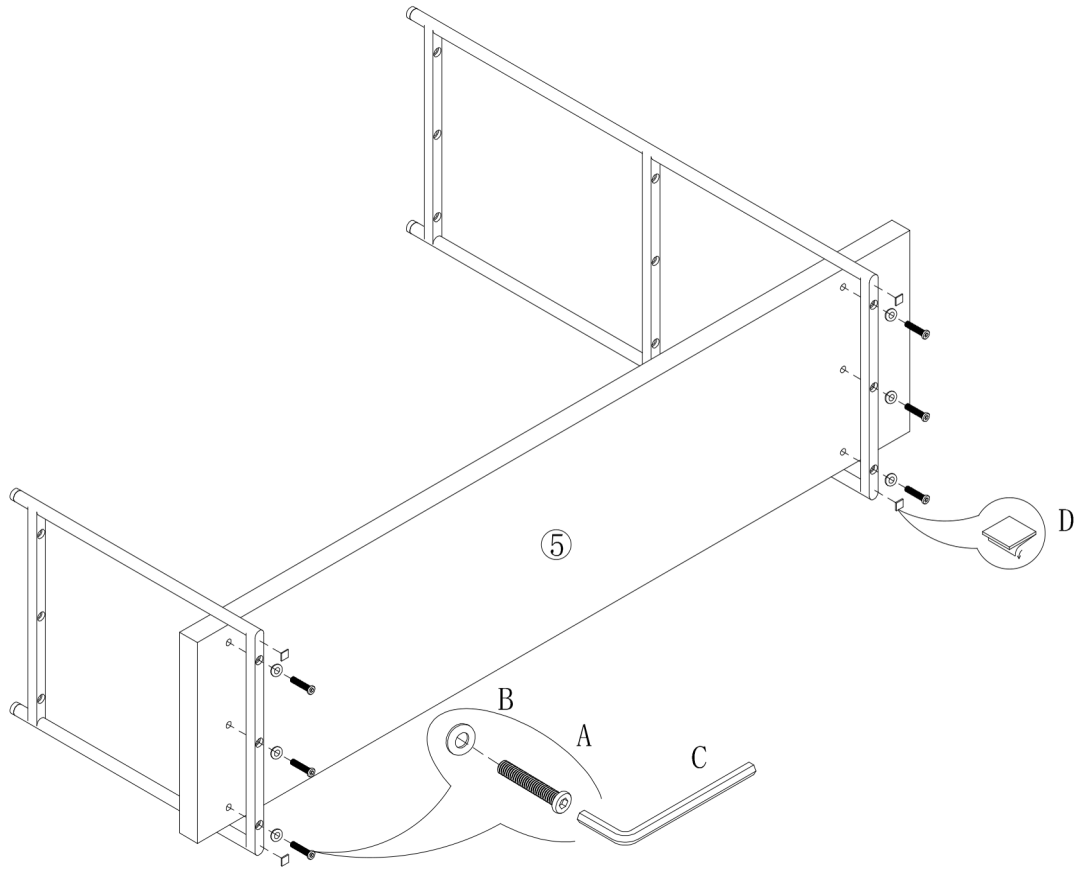
B x49  
Spec:  $\varnothing 8.2 * \varnothing 14$



C x1  
Spec: 5#

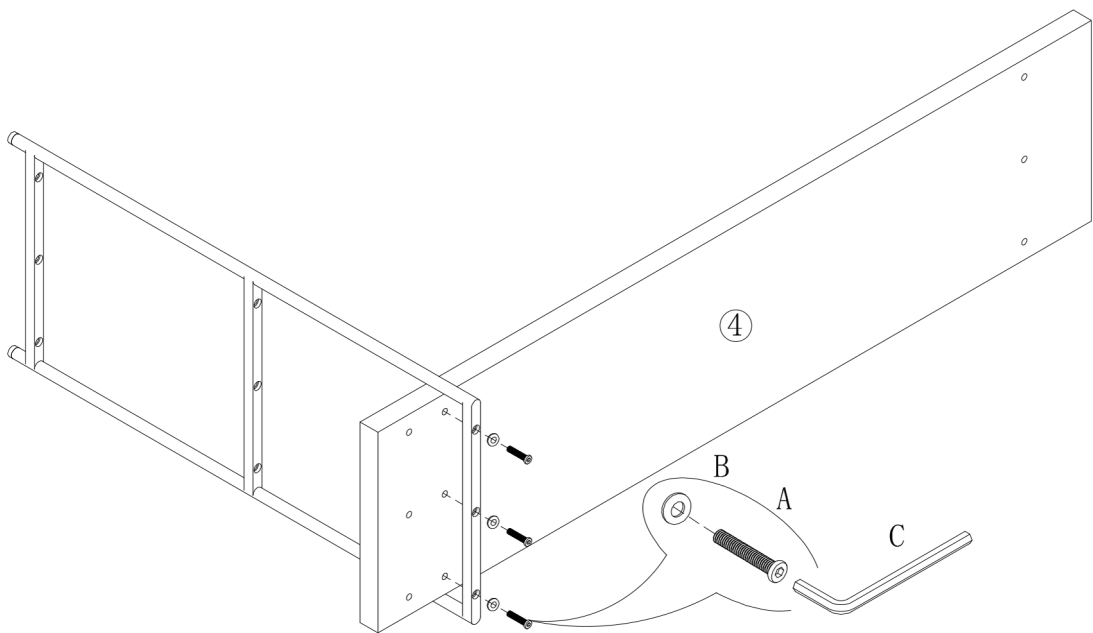


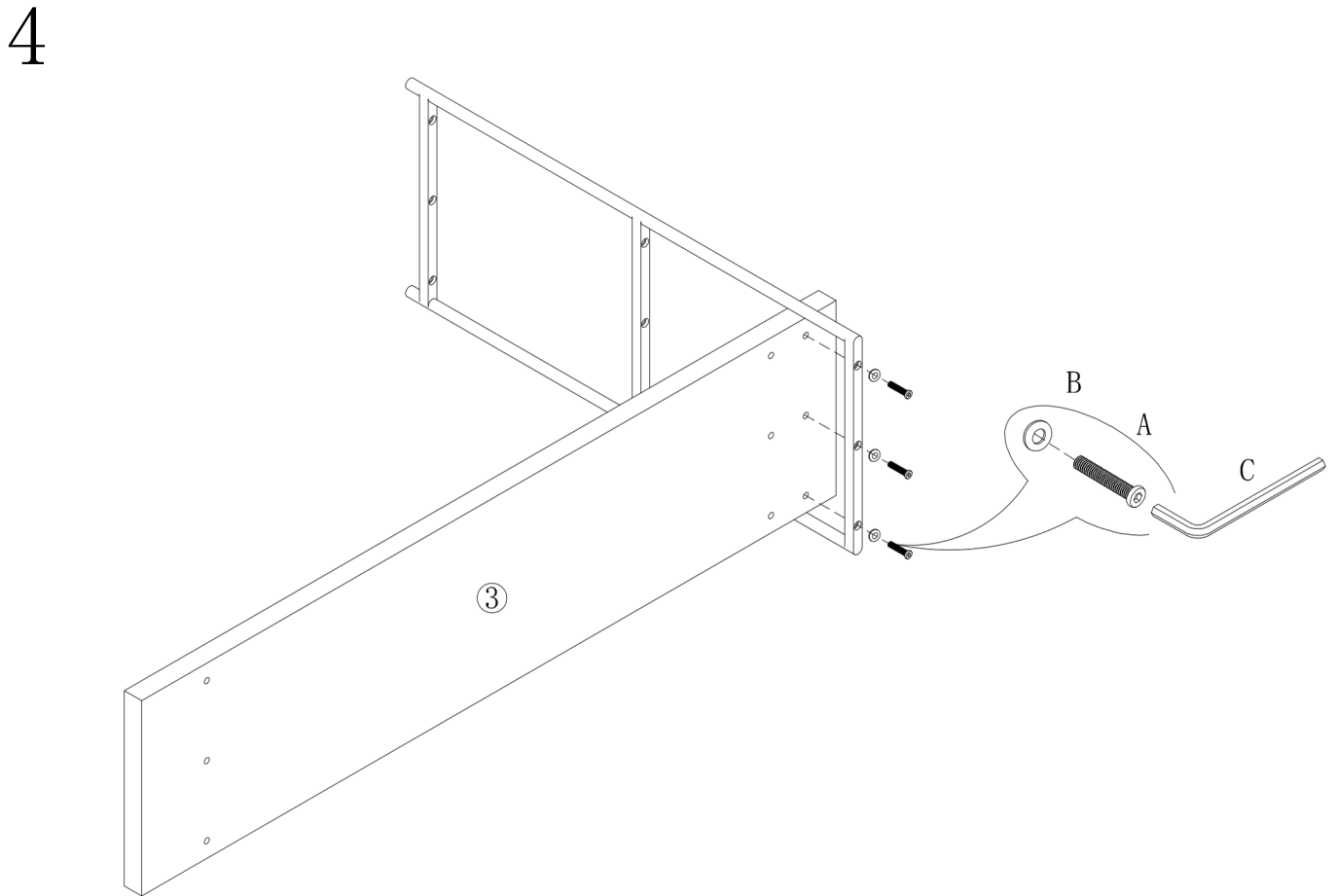
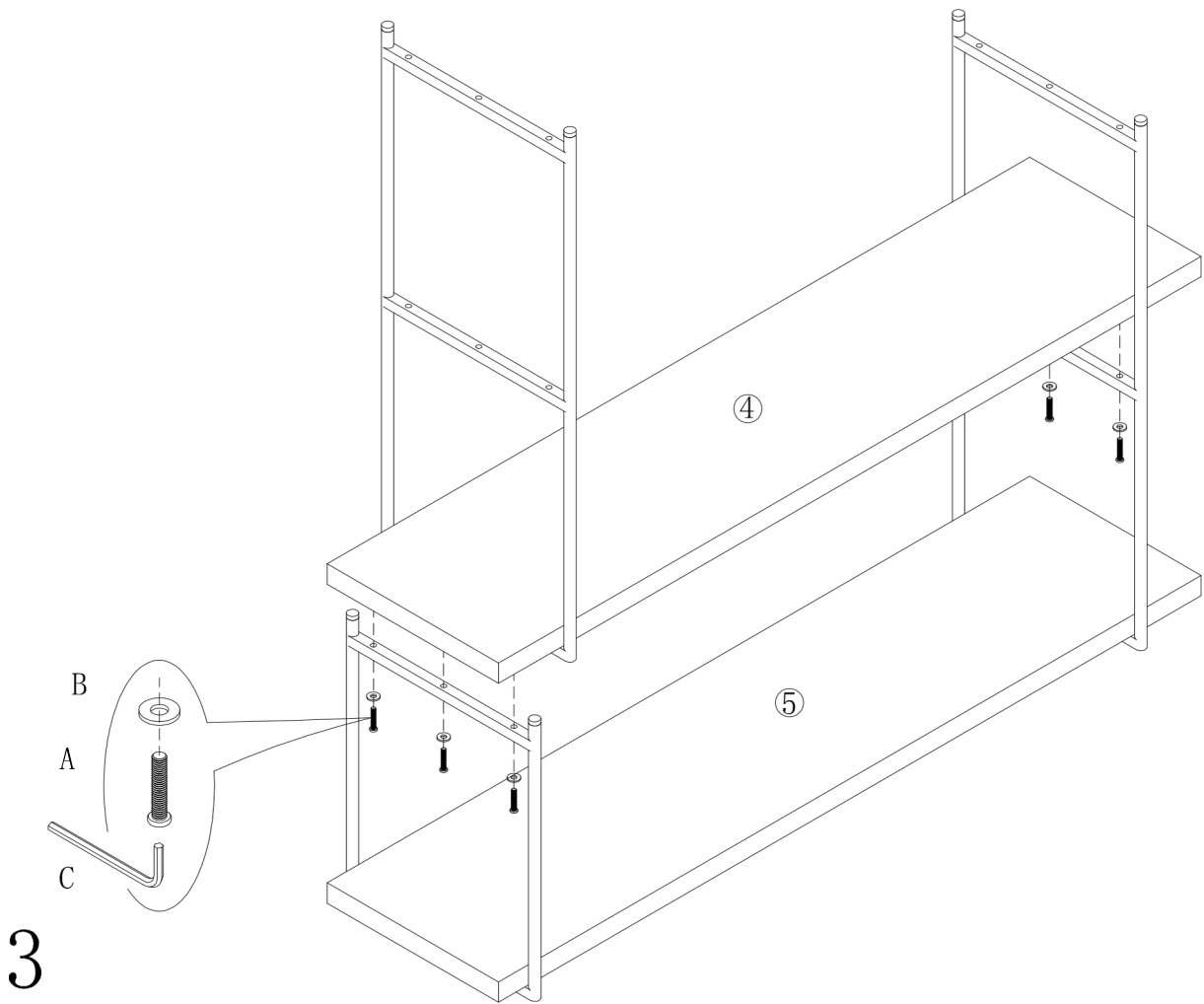
D x6  
Spec: 15\*15

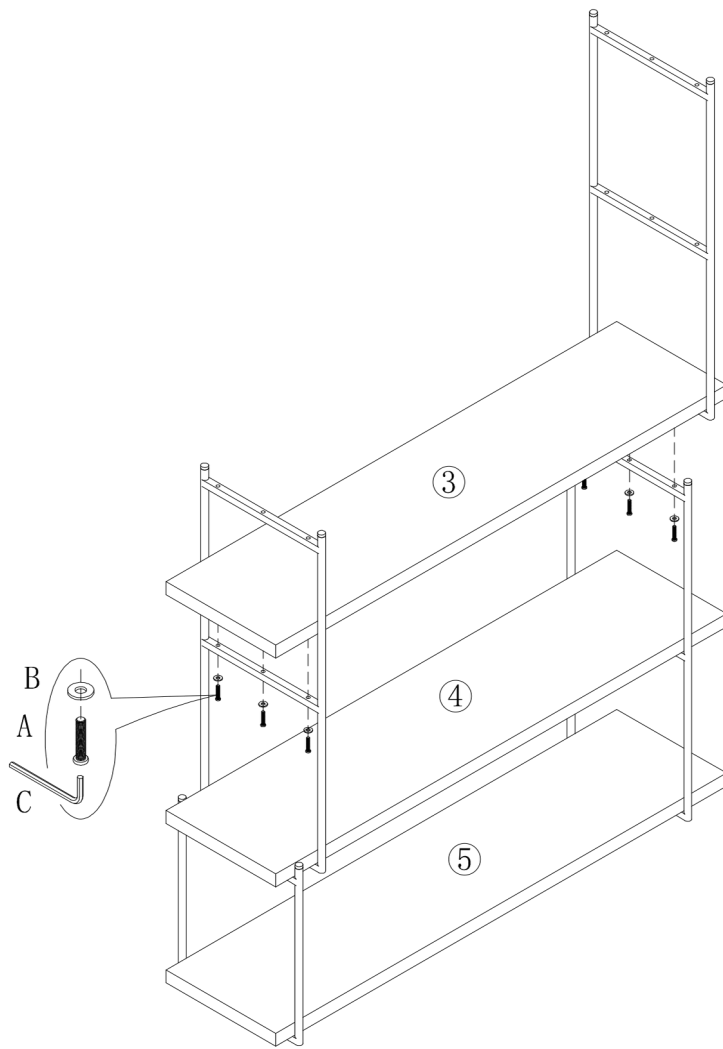


1

2

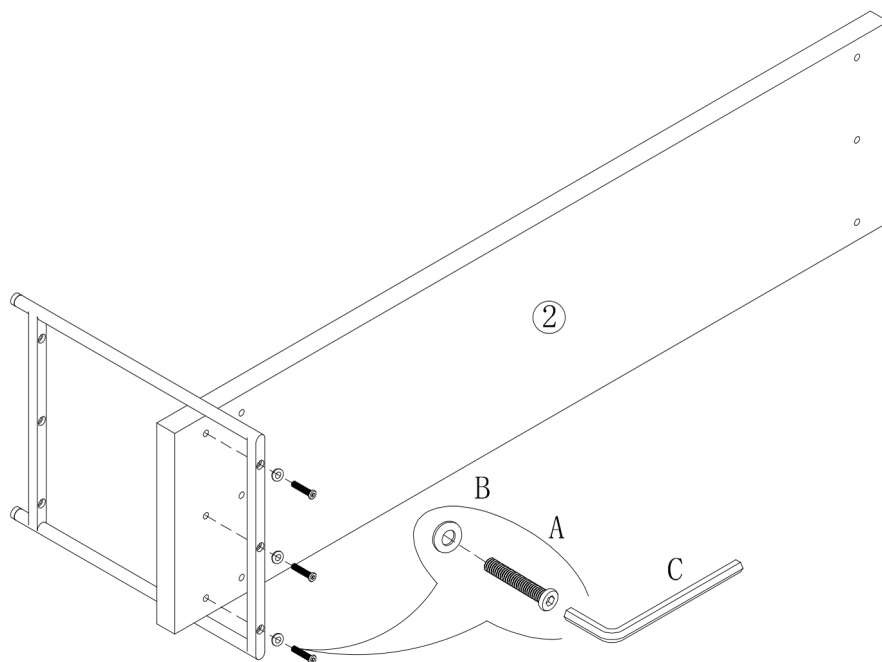


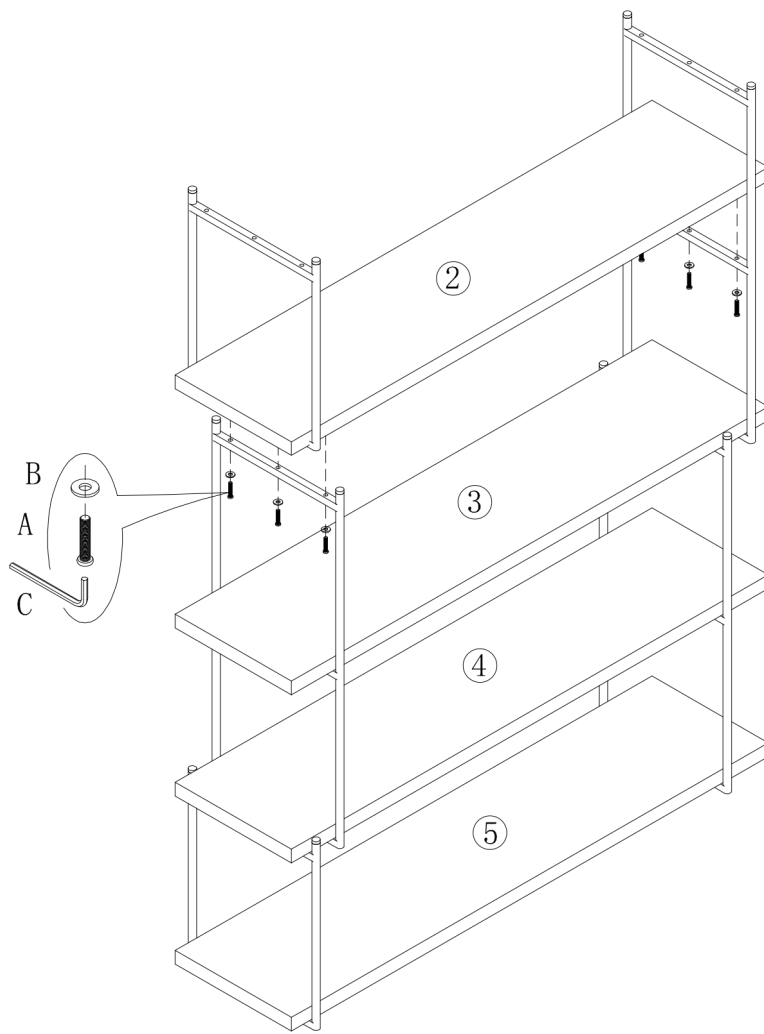




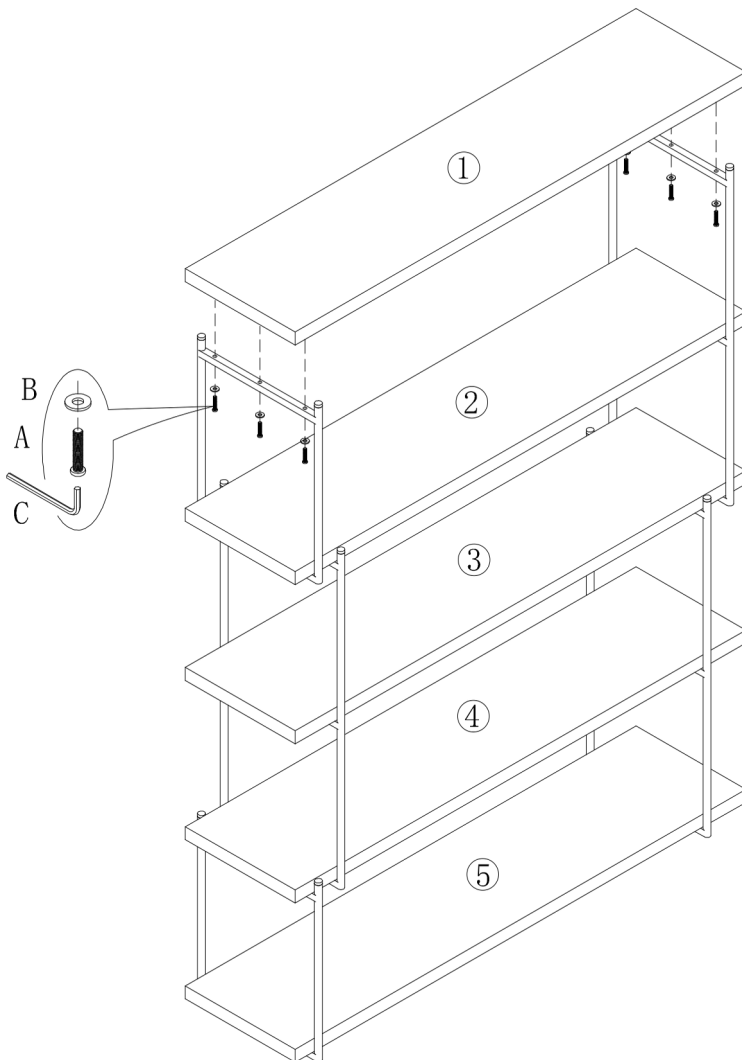
5

6

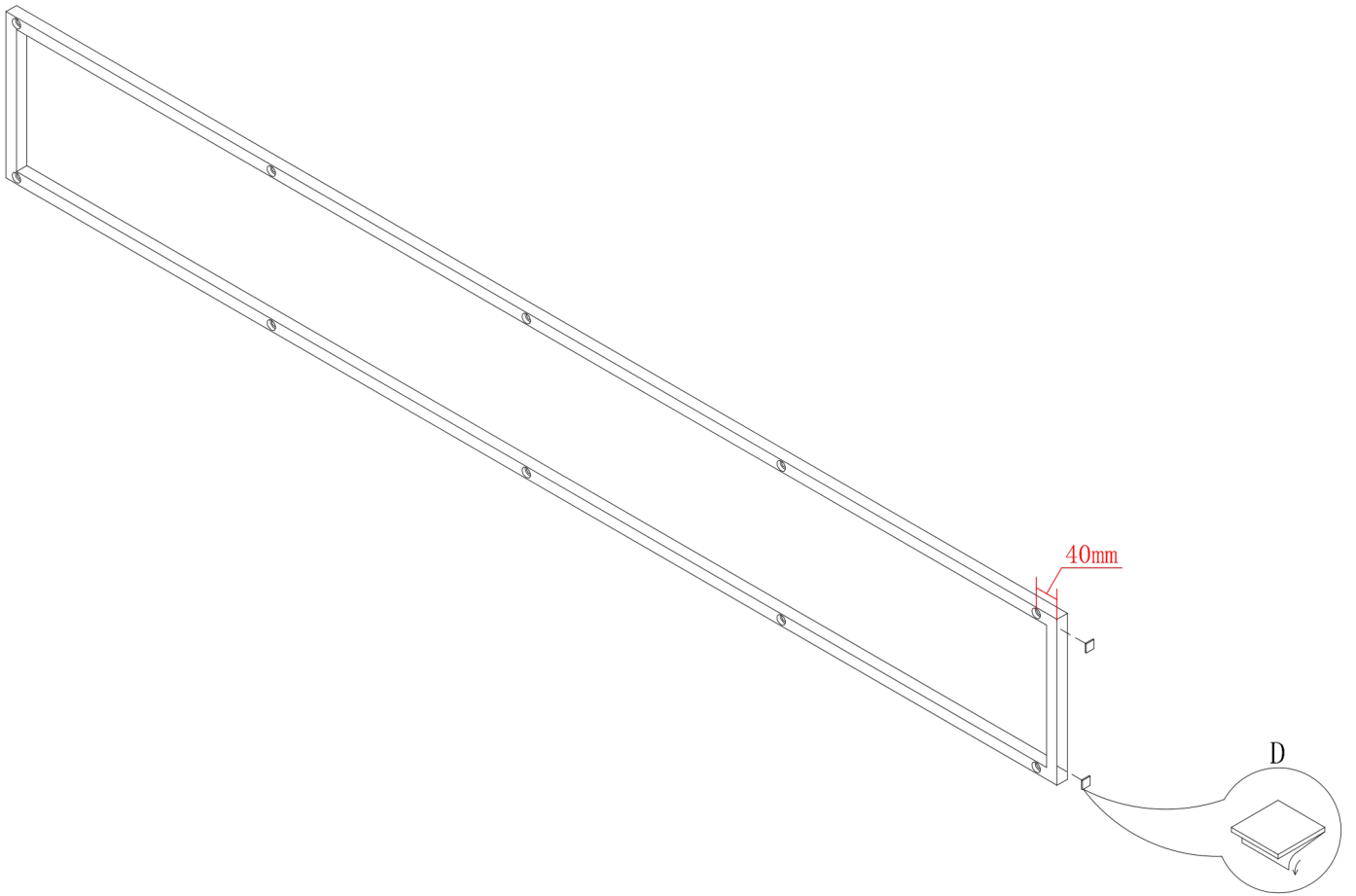




7



8



9

10

