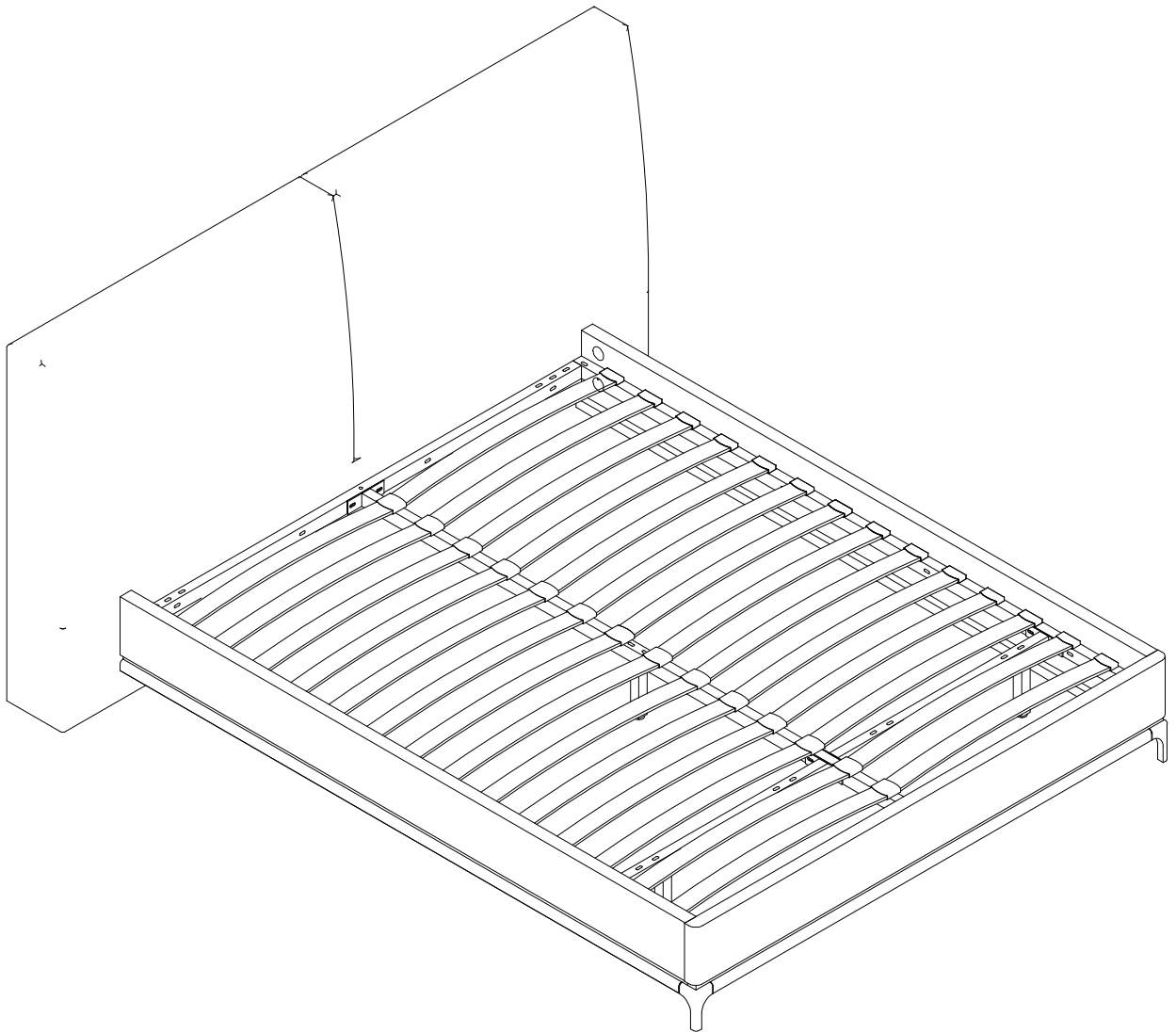


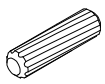
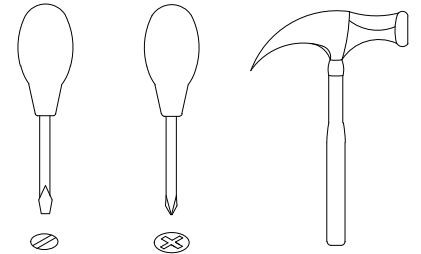
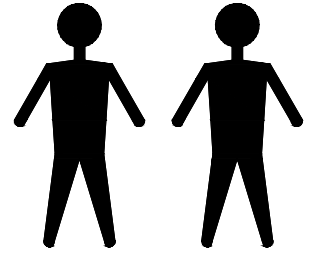


VC.VOL.BD.21.1

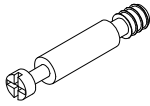


EAC

VC.VOL.BD.21.1



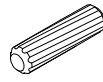
A x8
Spec: $\phi 10 \times 40$



B x4
Spec: $\phi 7 \times L30$



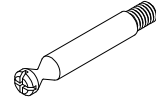
C x4
Spec: $\phi 15 \times H12$



D x2
Spec: $\phi 8 \times 30$



E x4
Spec: $\phi 7 \times 48$



F x4
Spec: $\phi 15 \times H15$



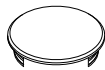
G x4
Spec: $M8 \times L95$



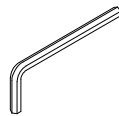
H x4
Spec:



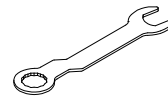
I x4
Spec: M8



J x4
Spec: $\phi 38$



K x1
Spec: 5#



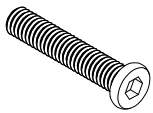
L x1
Spec: 14#



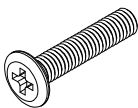
M x22
Spec: $\phi 8 \times \phi 18$



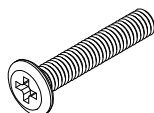
N x10
Spec: $\phi 6 \times \phi 18$



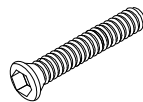
O x6
Spec: $5/16 \times L60$



P x15
Spec: M6*40



Q x16
Spec: M6*45



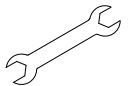
R x12
Spec: M6*L50



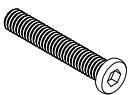
S x3
Spec: L210



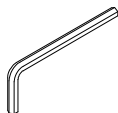
T x10
Spec: M6



U x1
Spec: 10mm



V x2
Spec: M6*L50



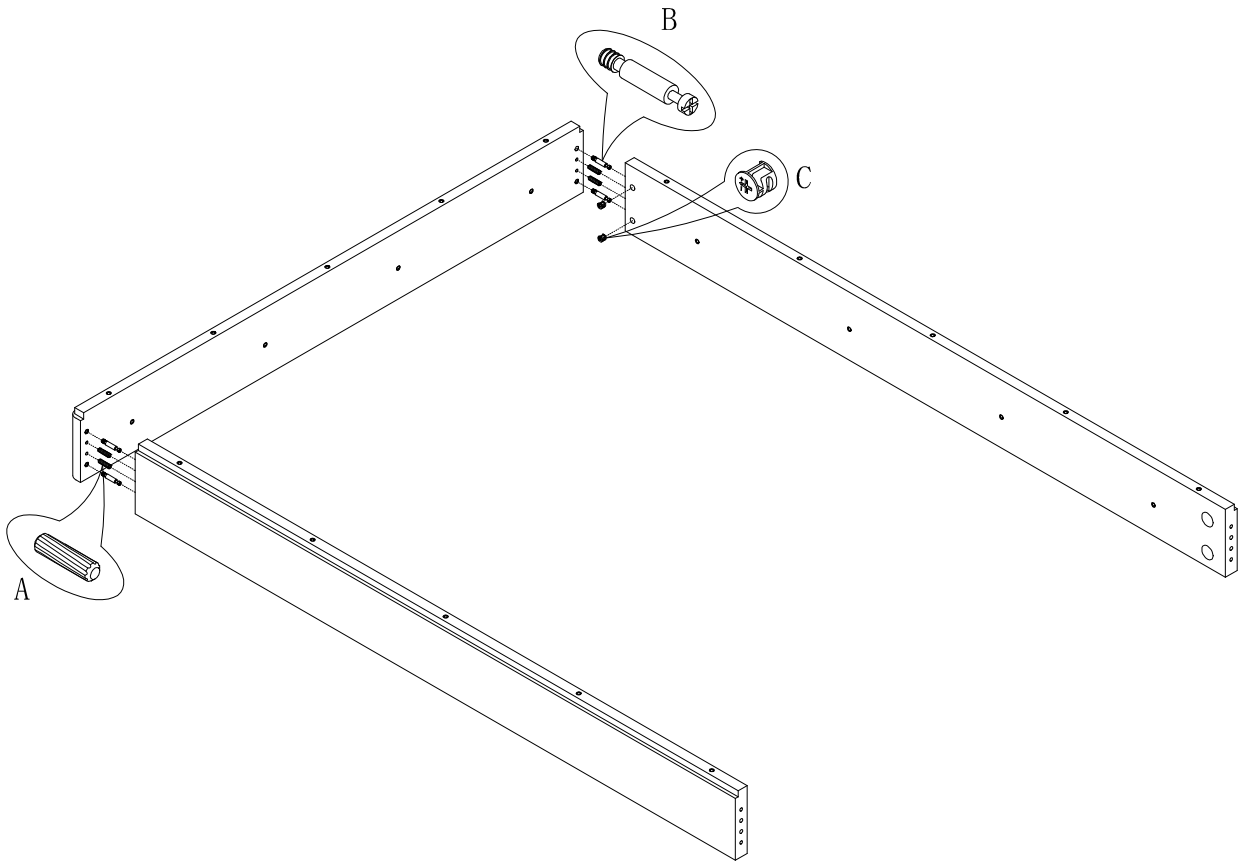
W x1
Spec: 4#



X x15
Spec: $\phi 8 \times \phi 14$

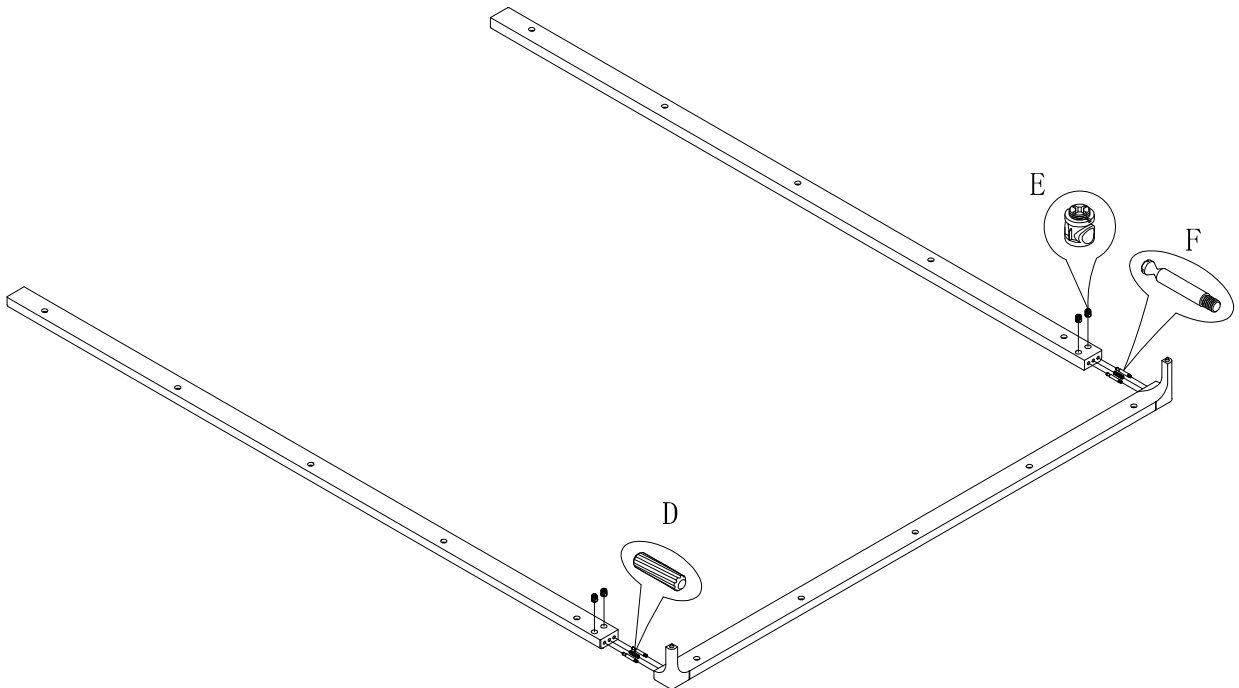


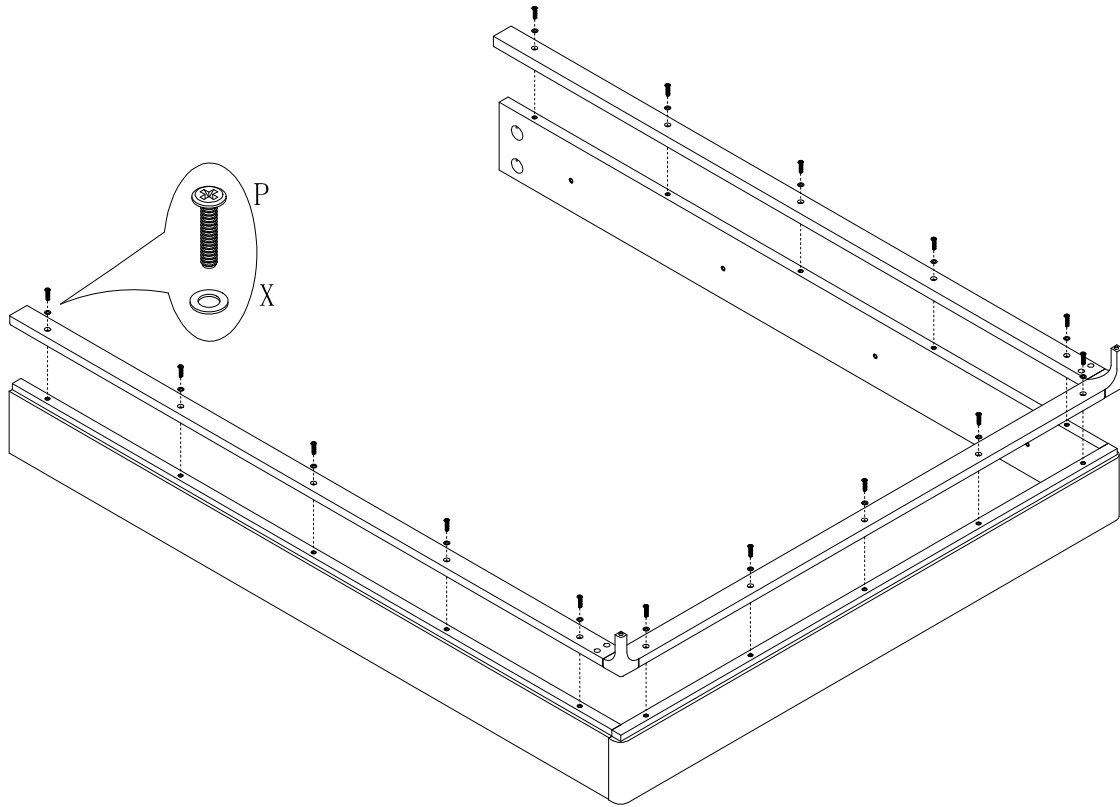
Y x1
Spec: 10g



1

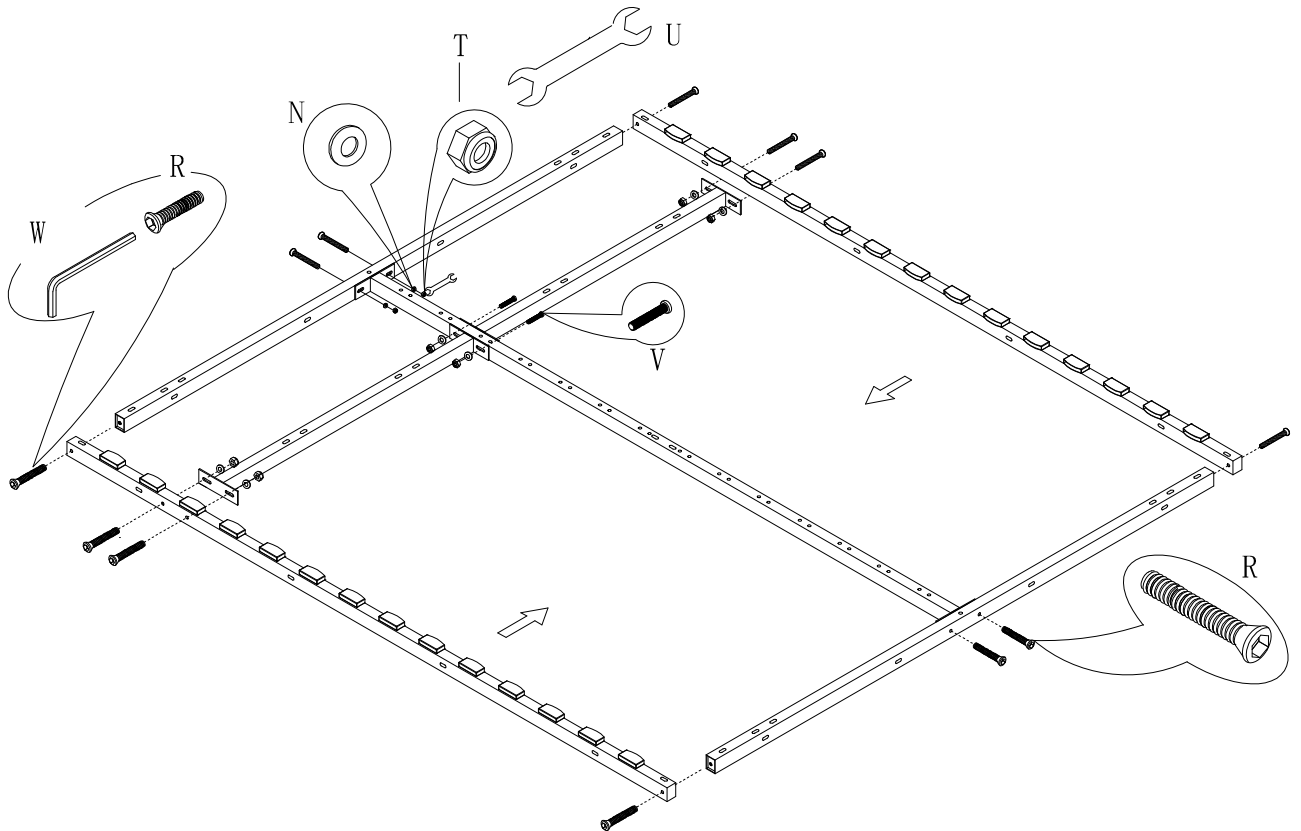
2



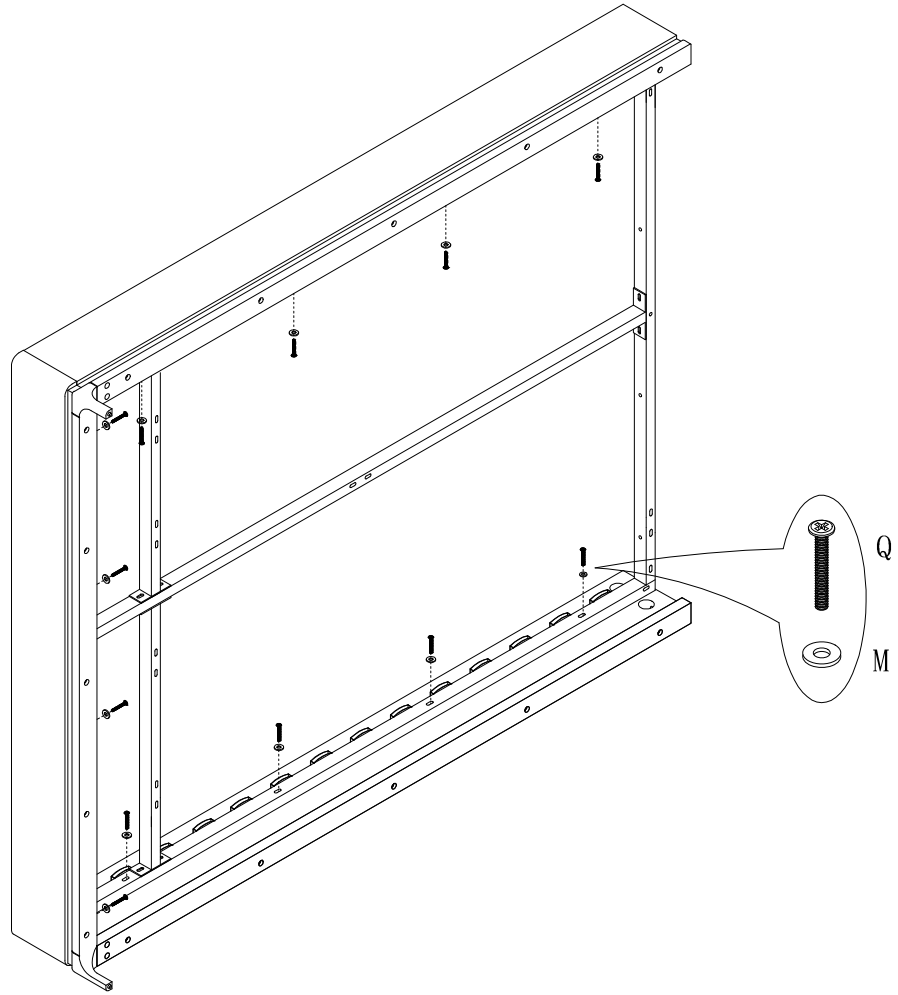


3

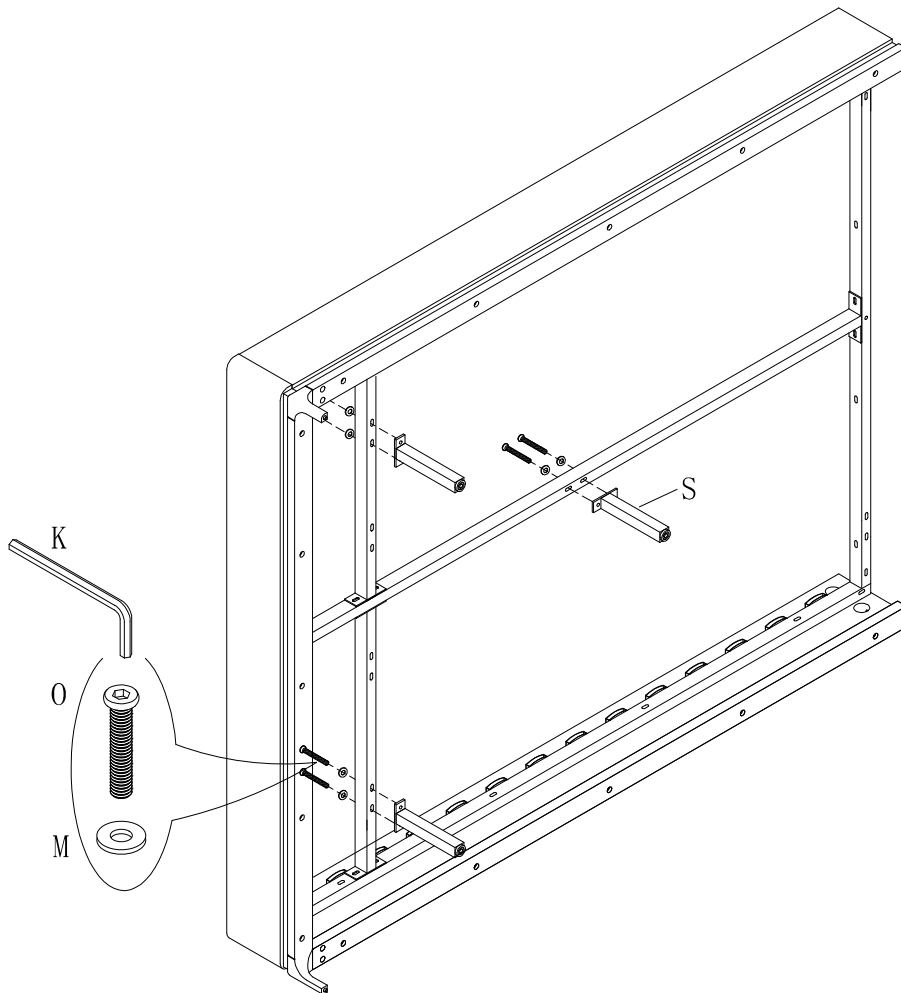
4

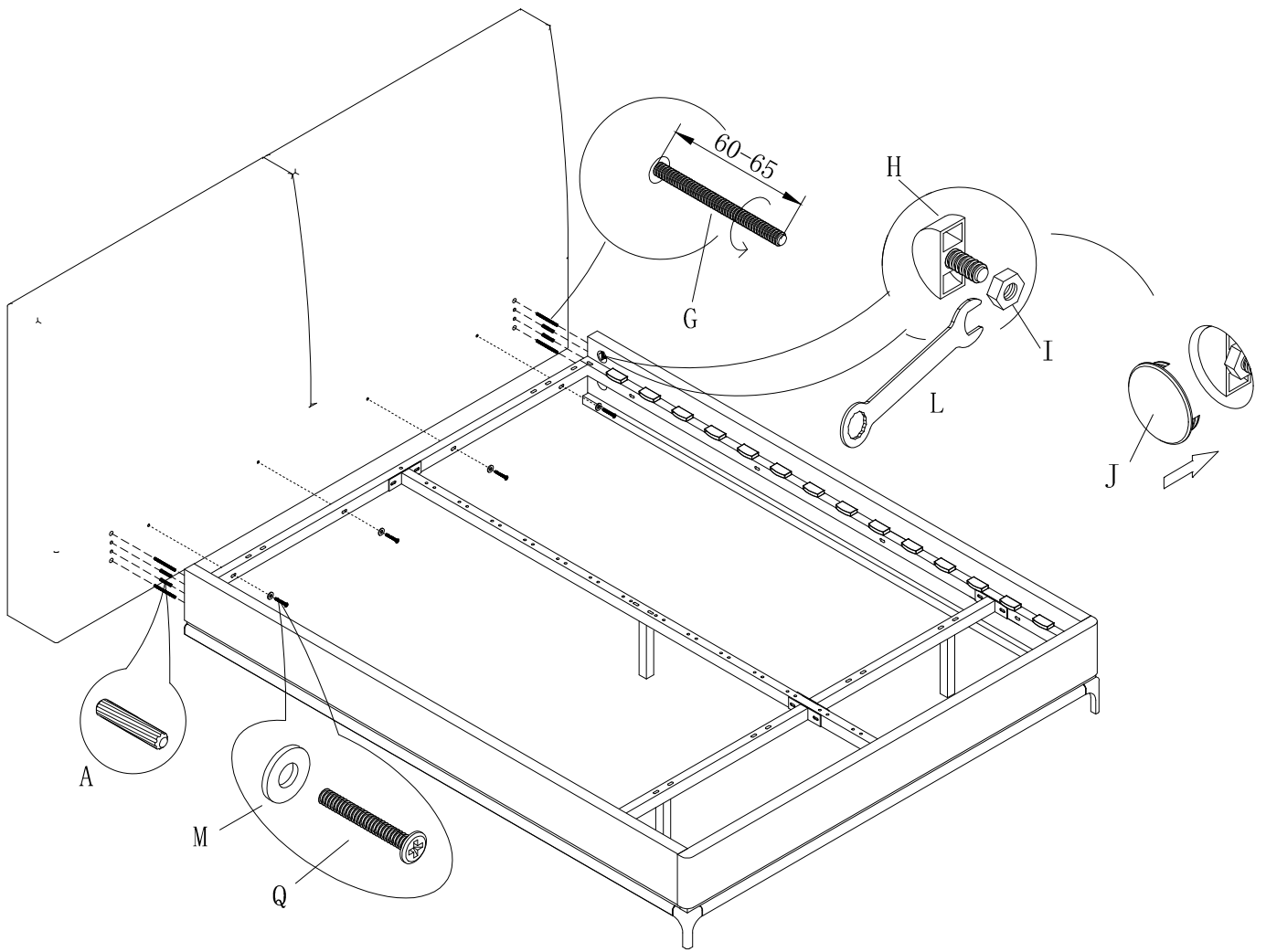


5



6





8

