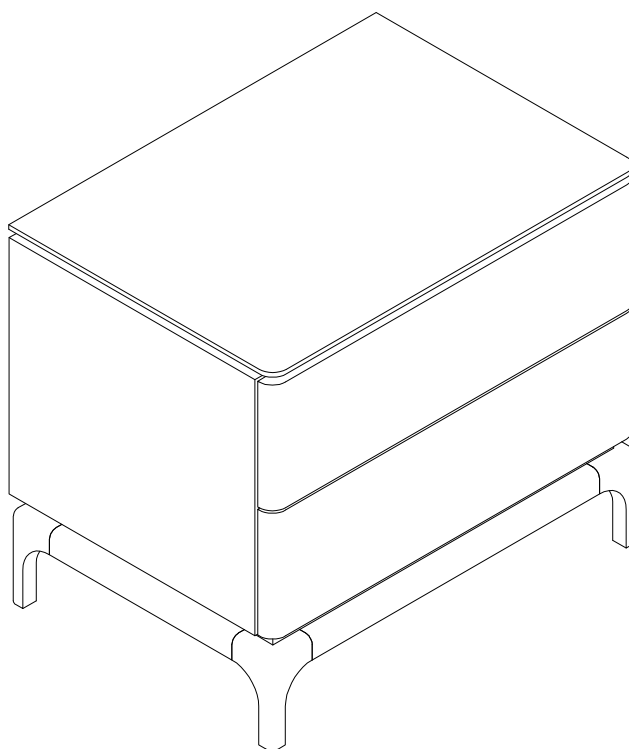


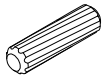
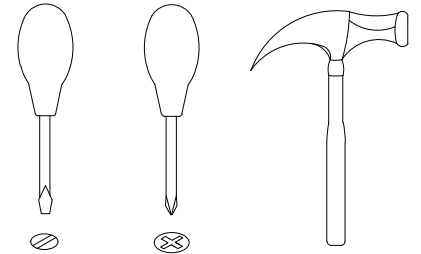
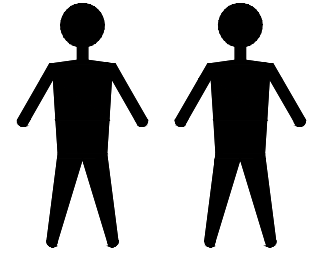


VC.VOL.BT.25.1

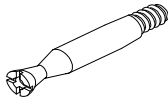


EAC

VC.VOL.BT.25.1



A x18
Spec: $\varnothing 8 \times 30$



B x8
Spec: $\varnothing 7 \times L48$



C x8
Spec: $\varnothing 15 \times H15$



D x16
Spec:



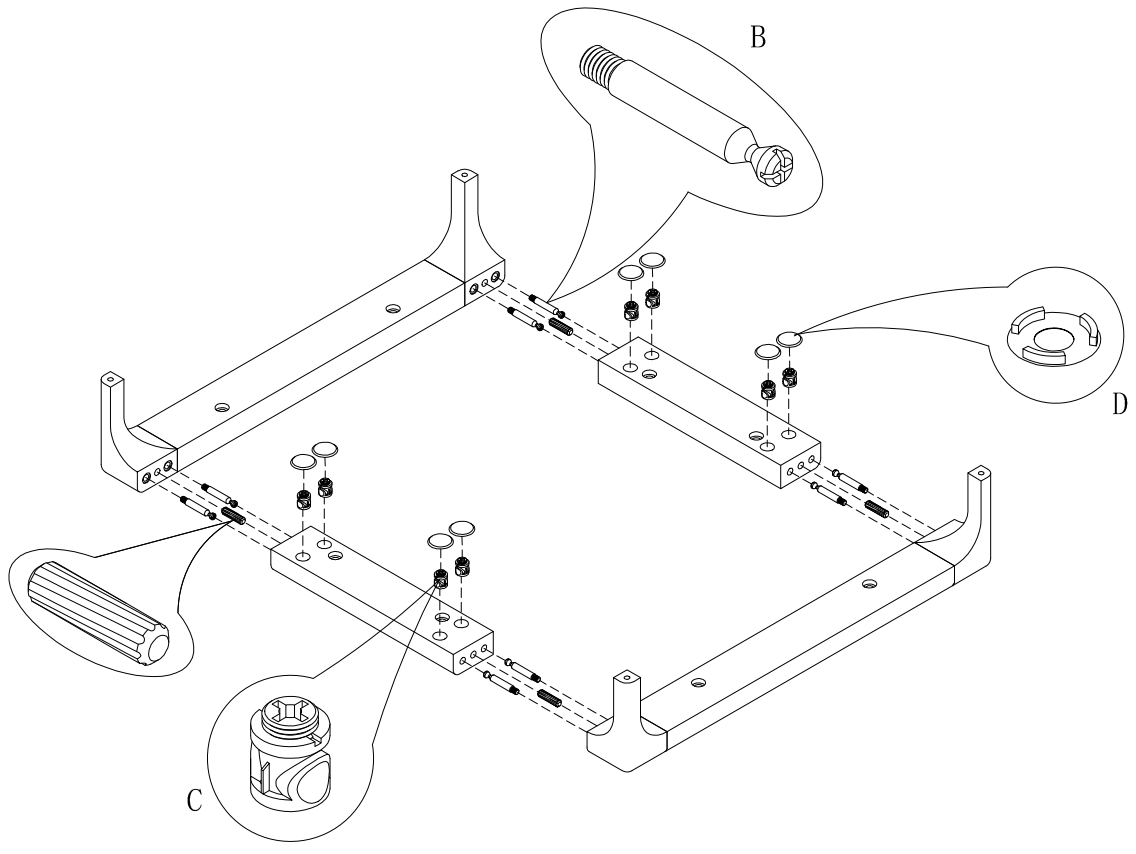
E x8
Spec: $\varnothing 8 \times \varnothing 14$



F x8
Spec: M6*35



G x1
Spec: 10g



A

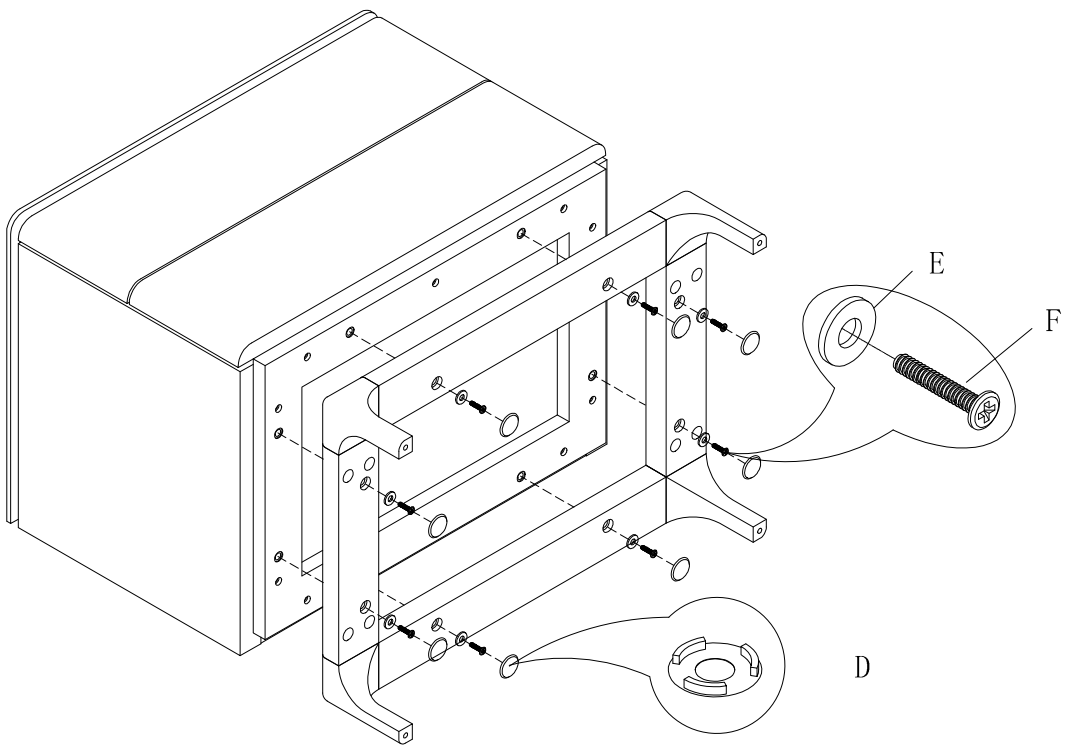
B

C

D

1

2



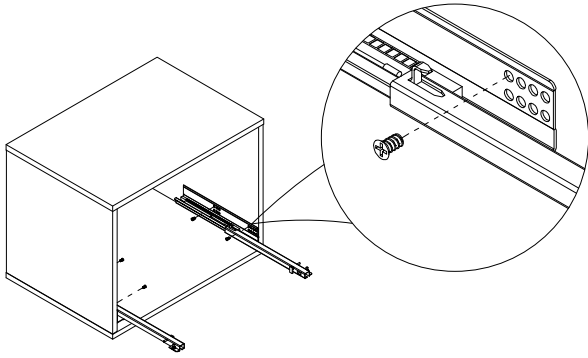
D

E

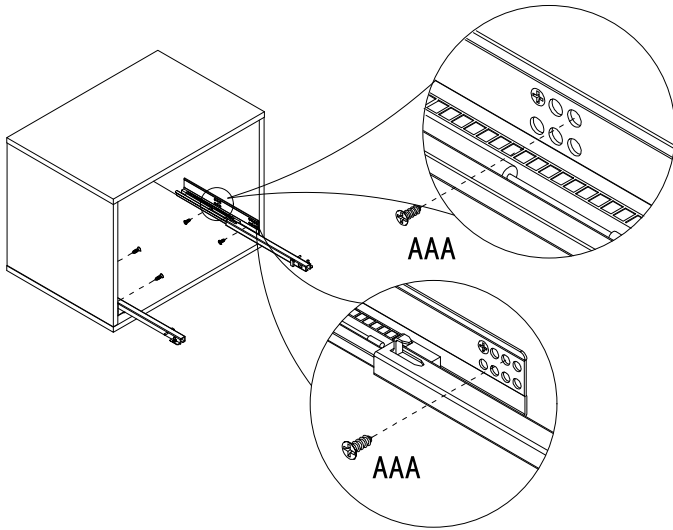
F

Drawer assembly

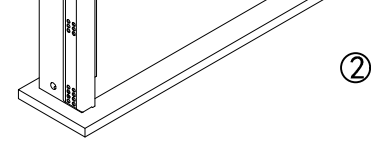
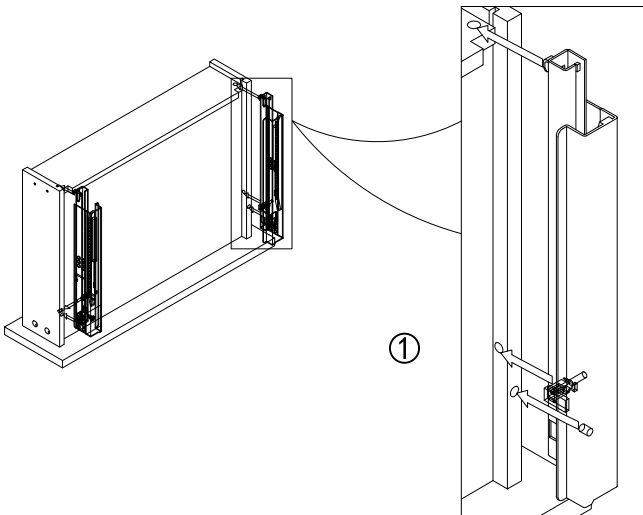
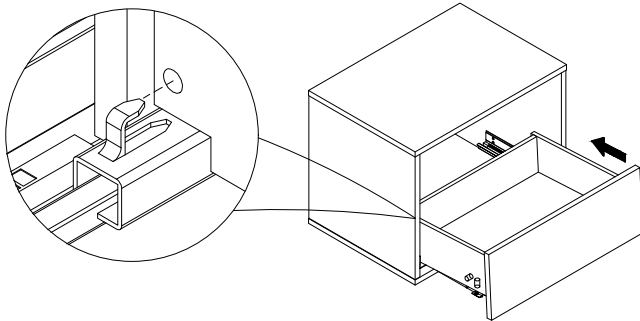
1



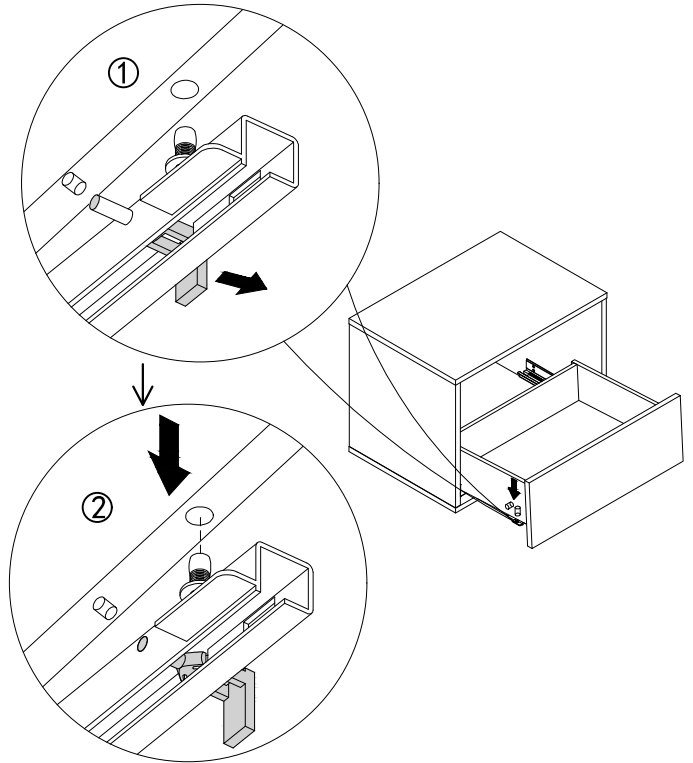
2



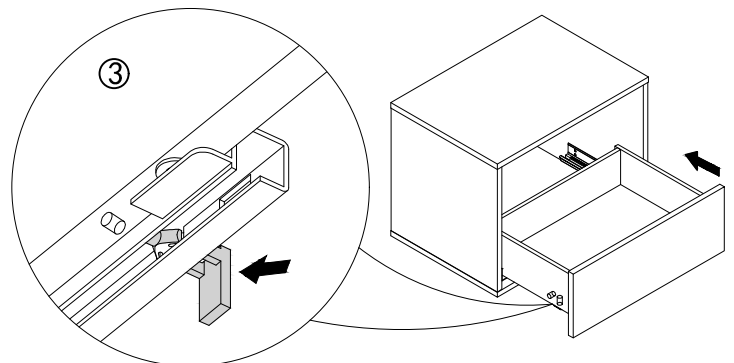
3



4

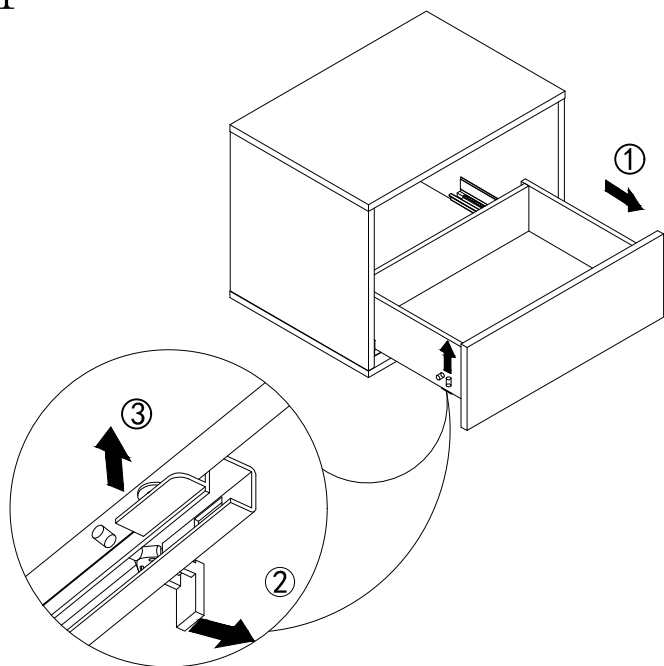


5

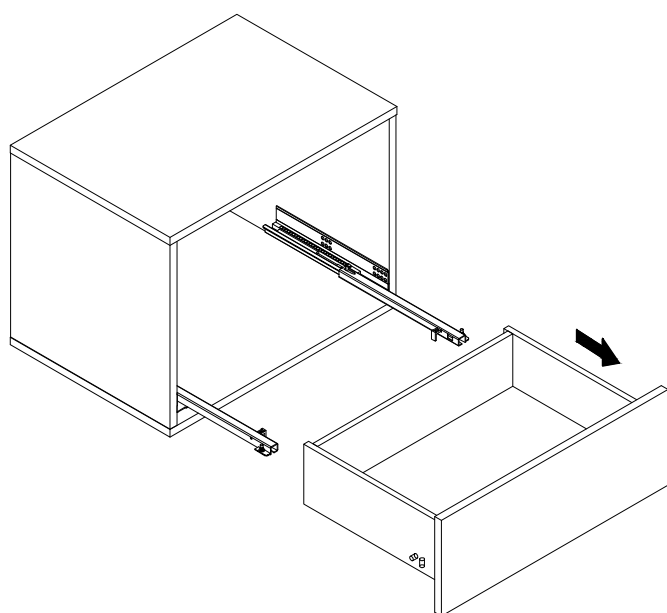


Drawer Renival

1



2



Adjustable Method

