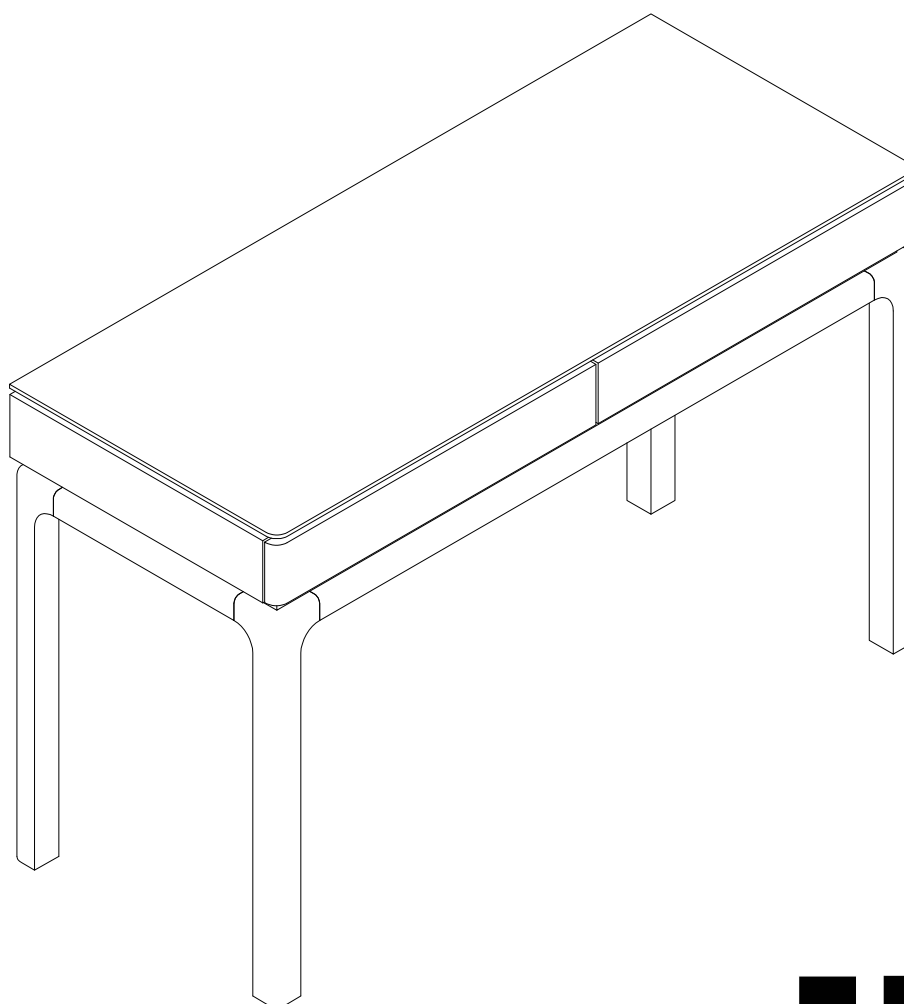


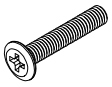
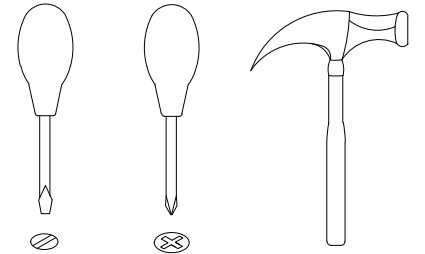
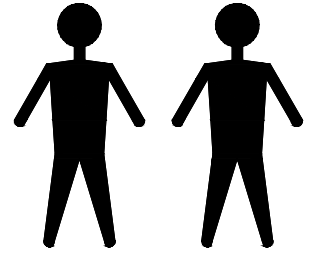


VC.VOL.DL.28.1



**EAC**

# VC.VOL.DL.28.1



A x12  
Spec:M6\*L45



B x12  
Spec:Ø14\*Ø8



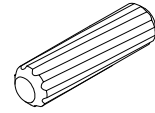
C x6  
Spec:M8\*L95



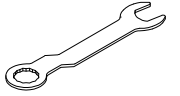
D x6  
Spec:



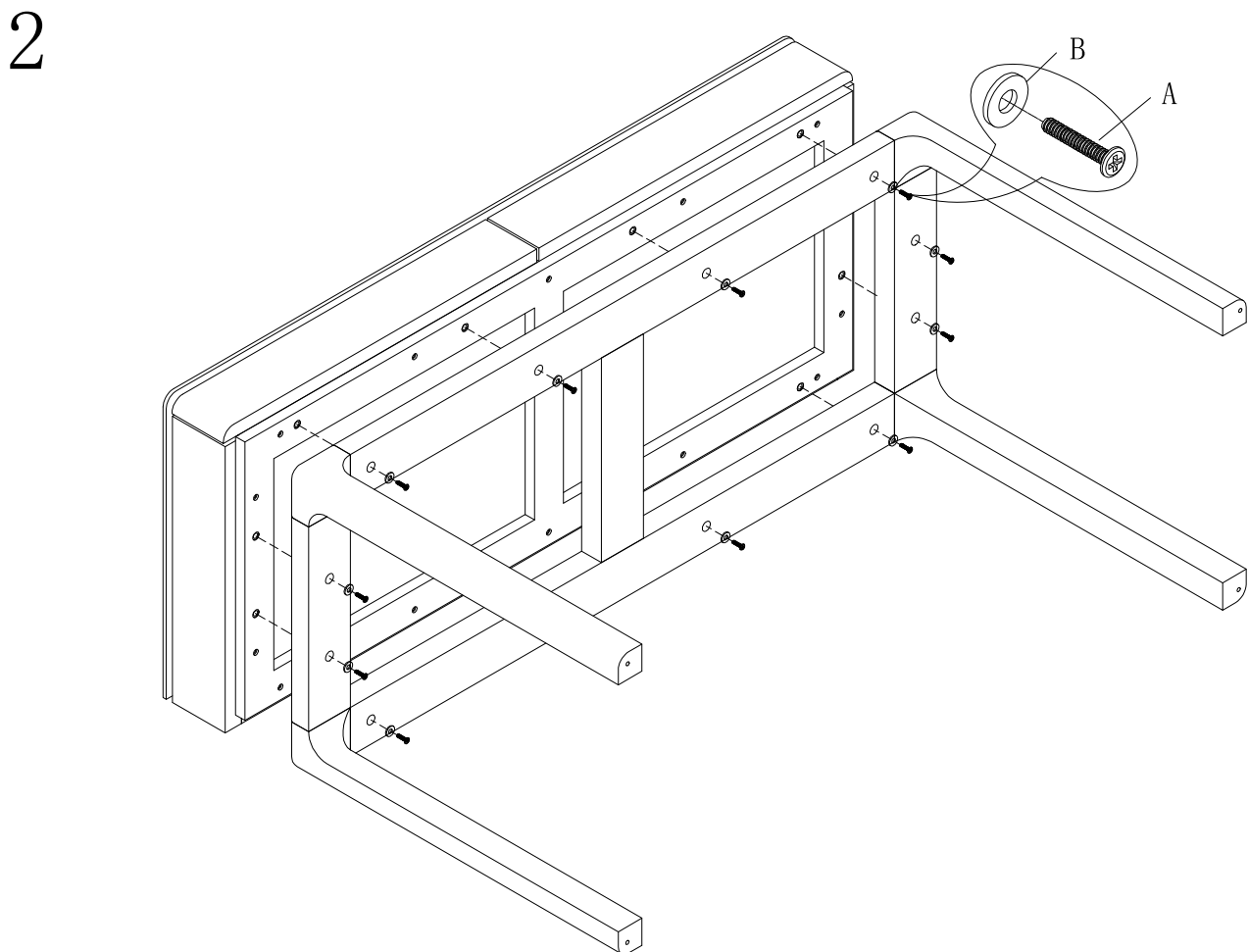
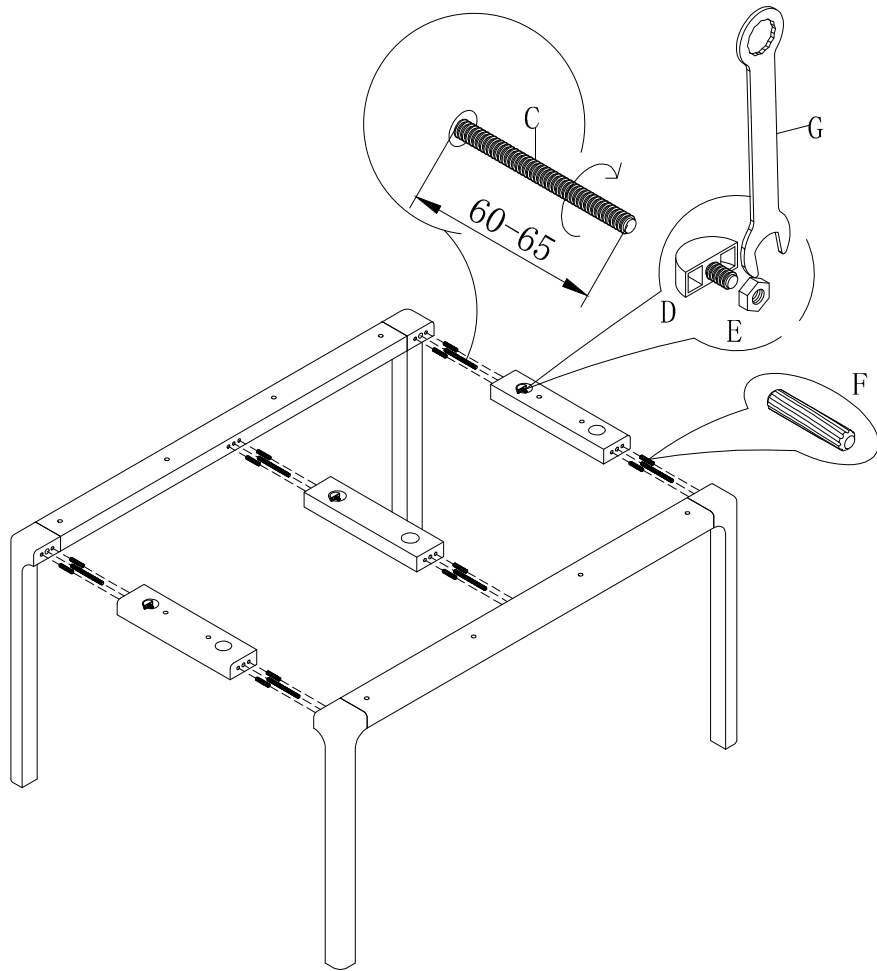
E x6  
Spec:M8



F x12  
Spec:Ø12\*50

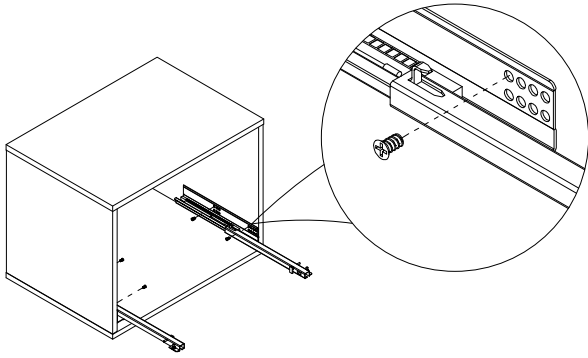


G x1  
Spec:14#

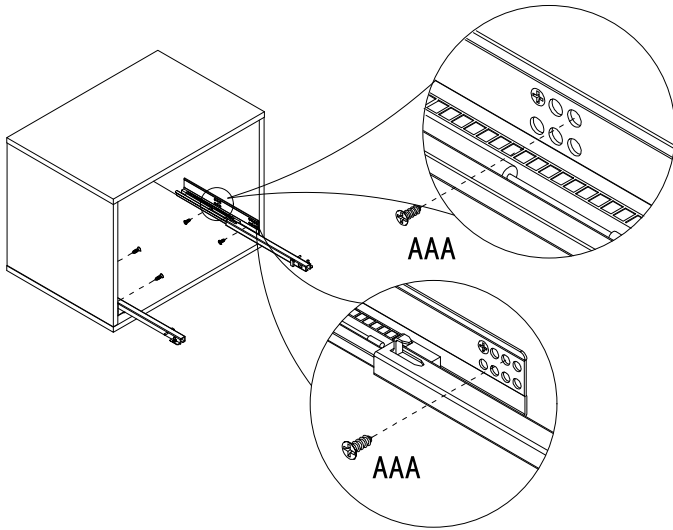


# Drawer assembly

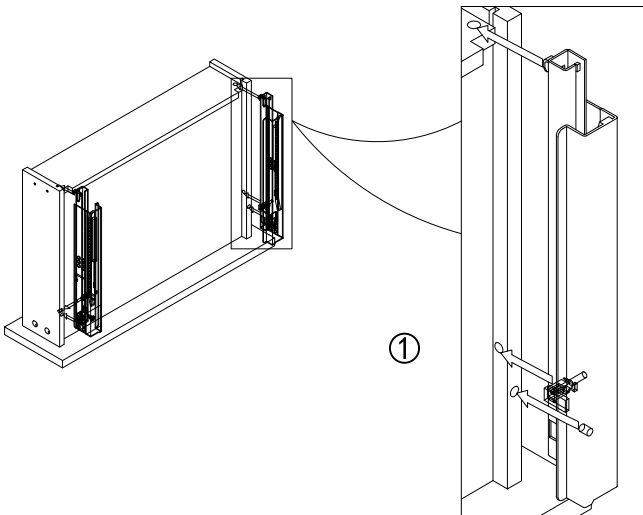
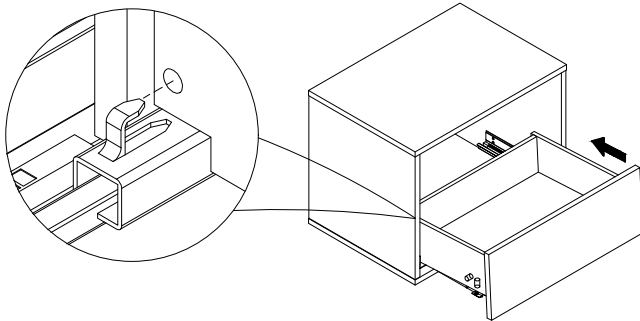
1



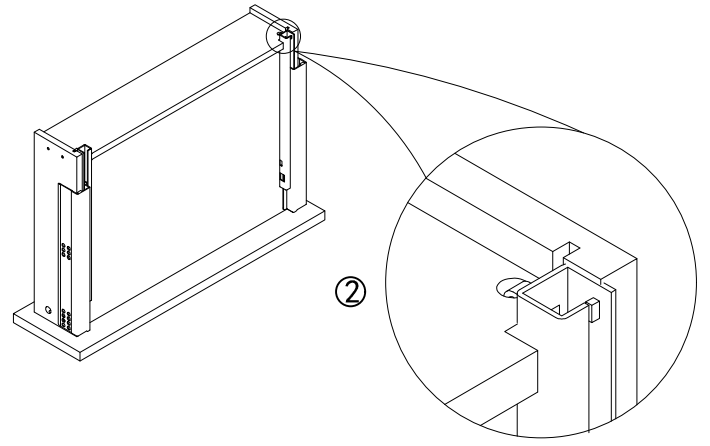
2



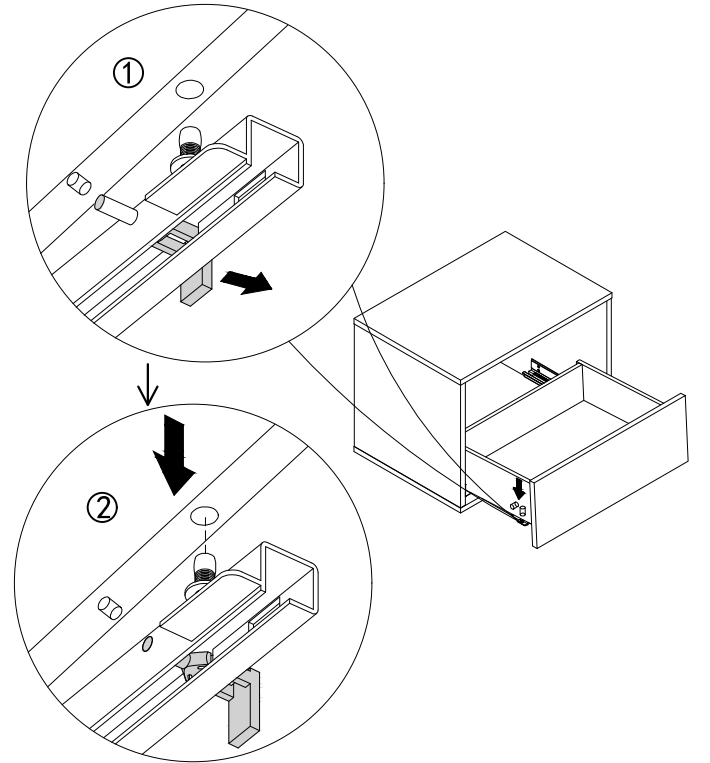
3



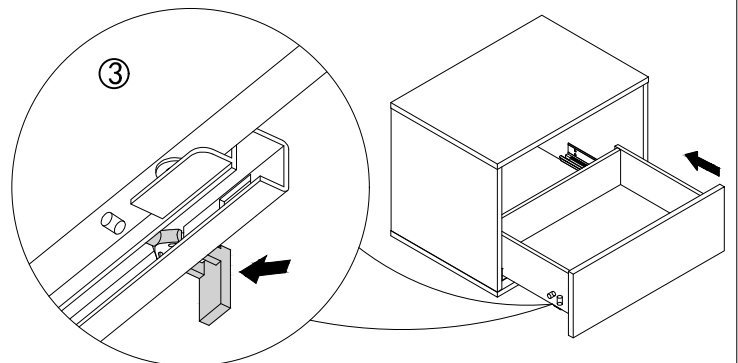
2



4

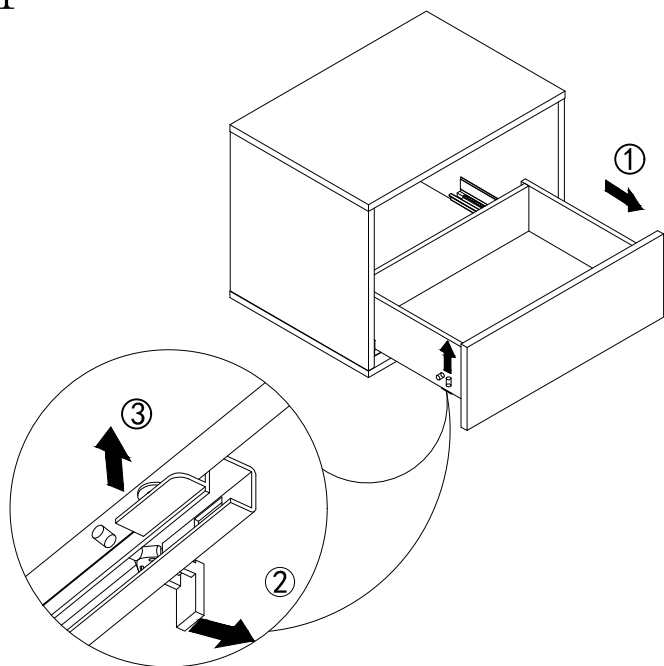


5

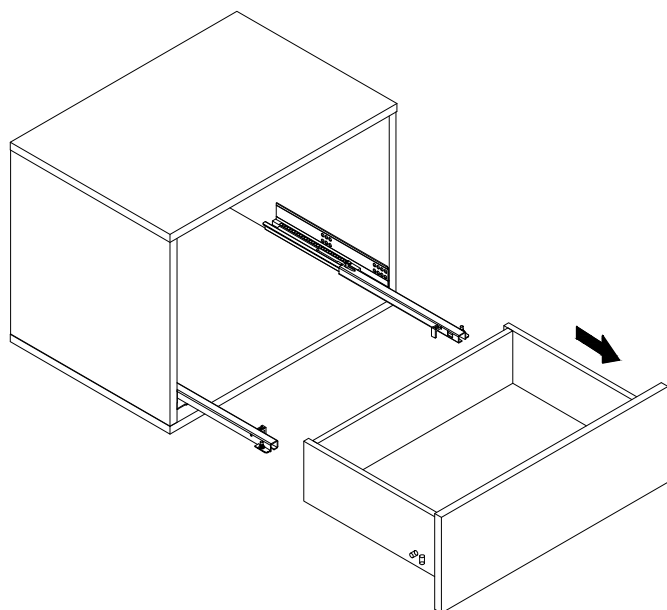


# Drawer Renival

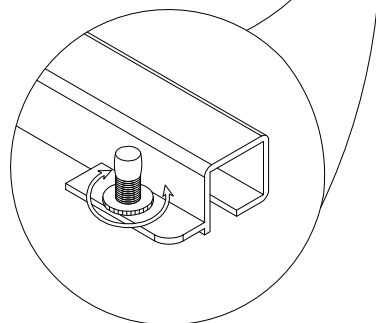
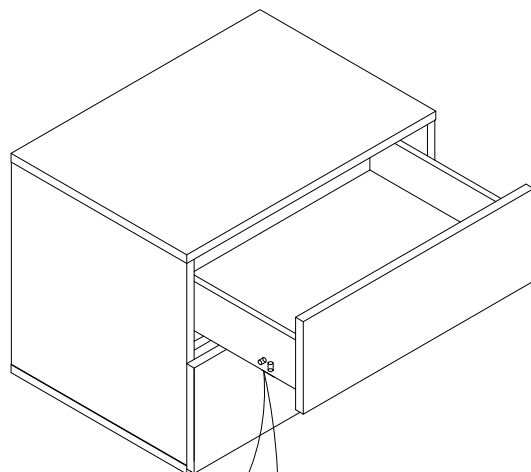
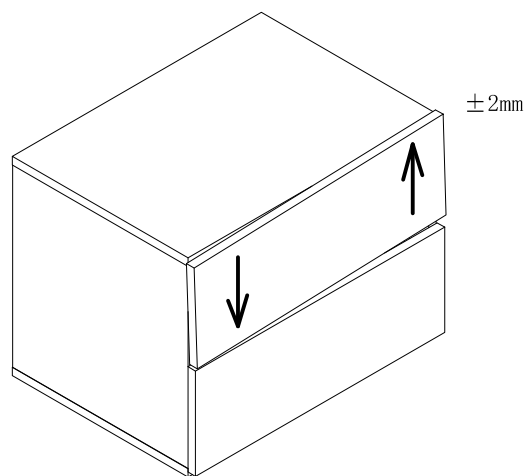
1

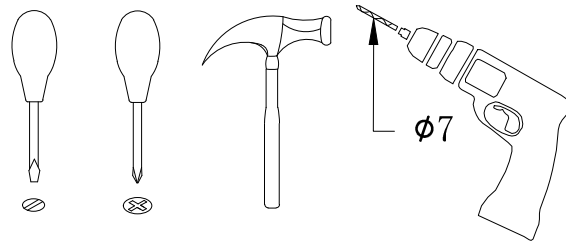




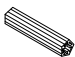

2



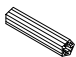



# Adjustable Method





-   
**AA1** x1  
 Spec: L215\*W25
-   
**AA2** x1  
 Spec:  $\phi 3.8$ \*L16
-   
**AA3** x1  
 Spec:  $\phi 7$ \*L26
-   
**AA4** x1  
 Spec:  $\phi 3.8$ \*L32

-   
**BB1** x2  
 Spec: L215\*W25
-   
**BB2** x2  
 Spec:  $\phi 3.8$ \*L16
-   
**BB3** x2  
 Spec:  $\phi 7$ \*L26
-   
**BB4** x2  
 Spec:  $\phi 3.8$ \*L32

