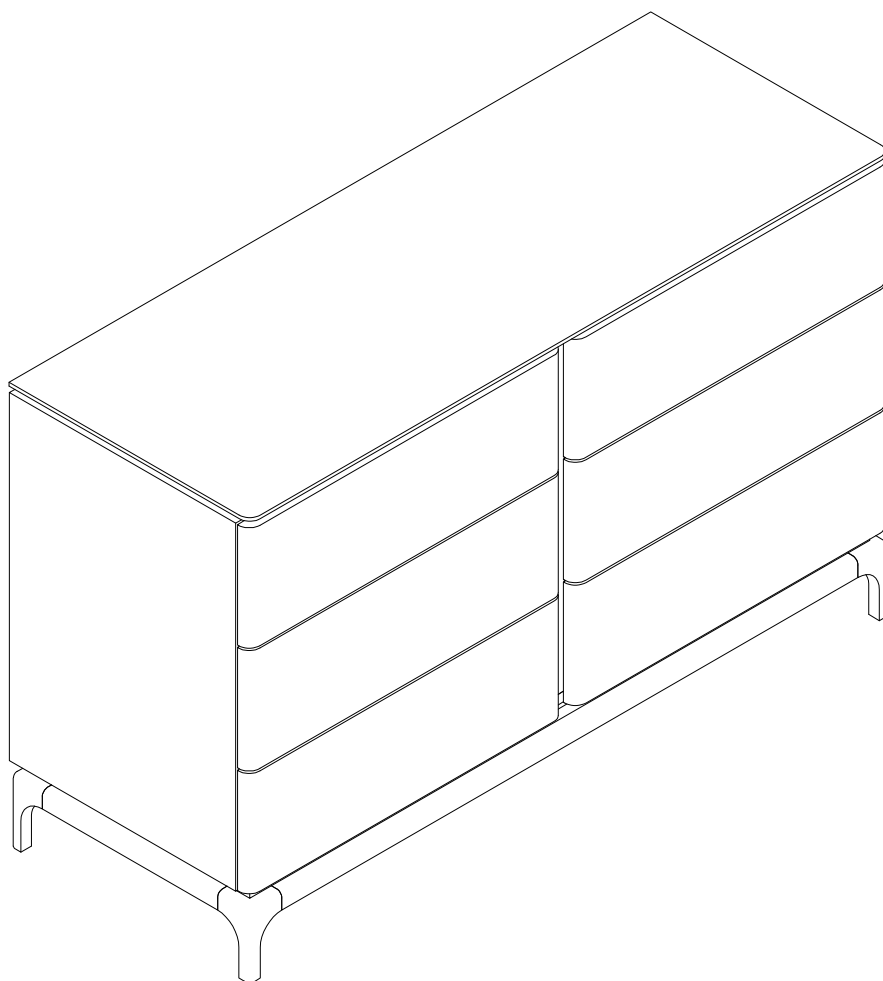


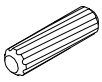
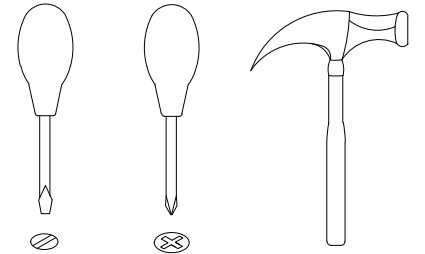
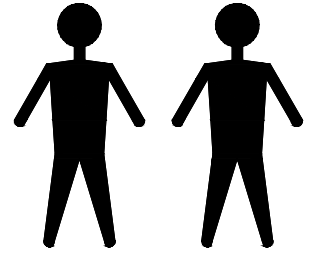


VC.VOL.DR.27.1

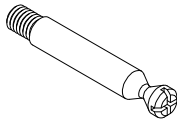


EAC

VC.VOL.DR.27.1



A x8
Spec: $\varnothing 8 \times 30$



B x16
Spec: $\varnothing 7 \times L48$



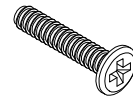
C x16
Spec: $\varnothing 15 \times H15$



D x28
Spec:



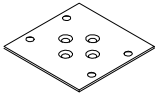
E x12
Spec: $\varnothing 8 \times \varnothing 14$



F x12
Spec: M6*35



G x1
Spec: 10g



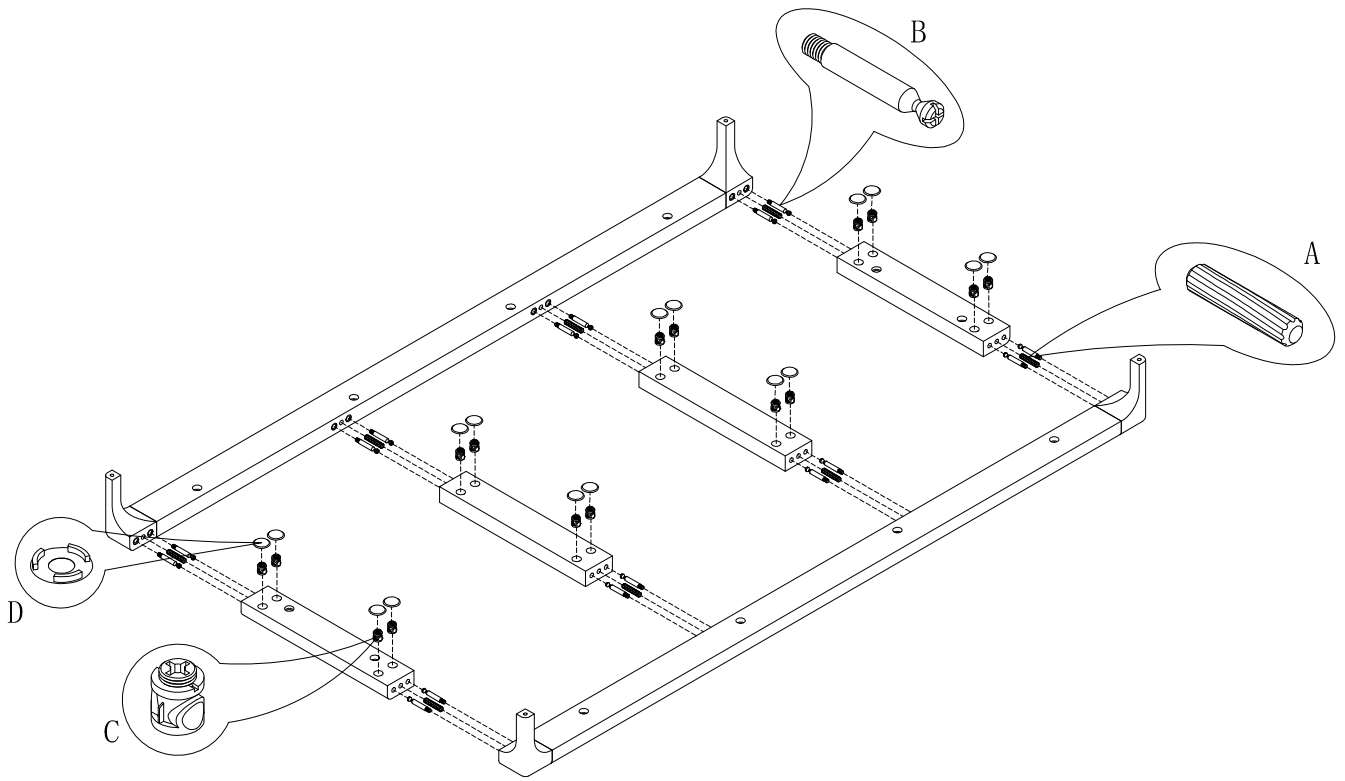
H x1
Spec: 78*78*1.8



I x4
Spec: $\varnothing 4 \times L16$

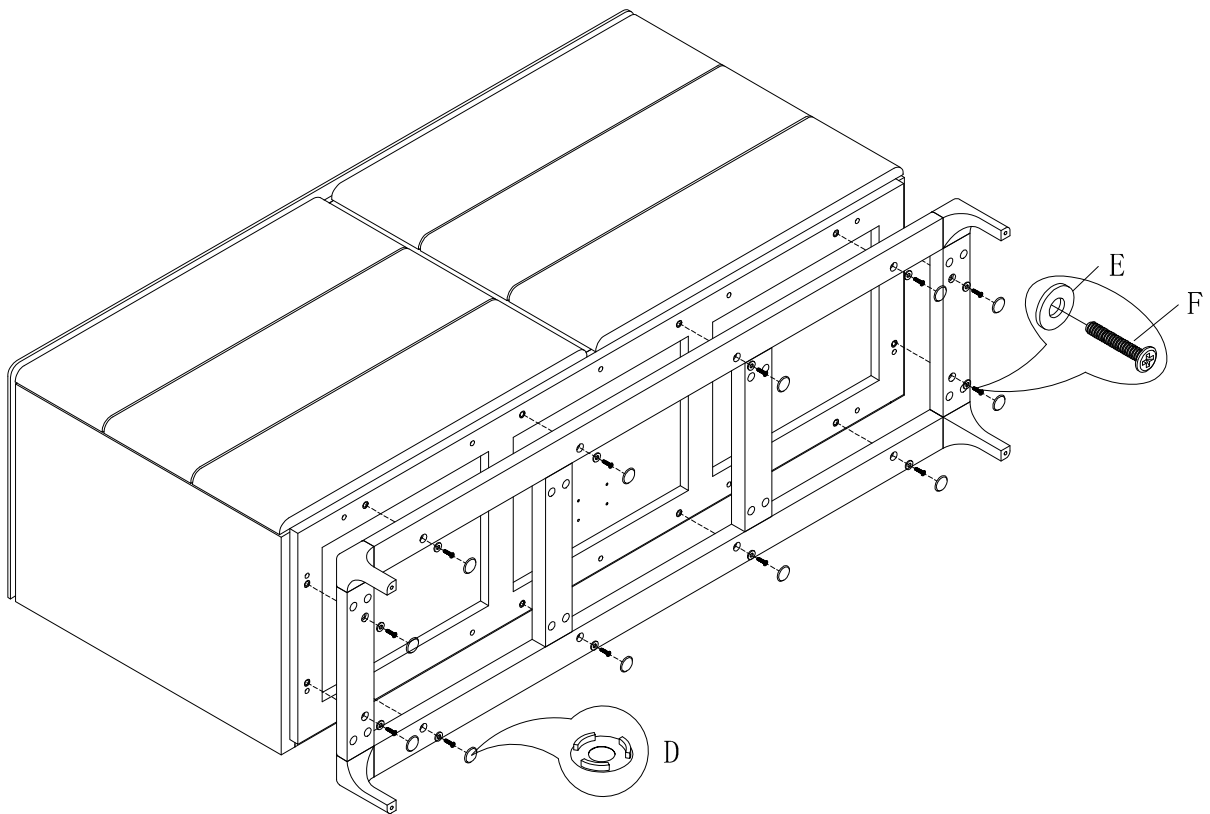


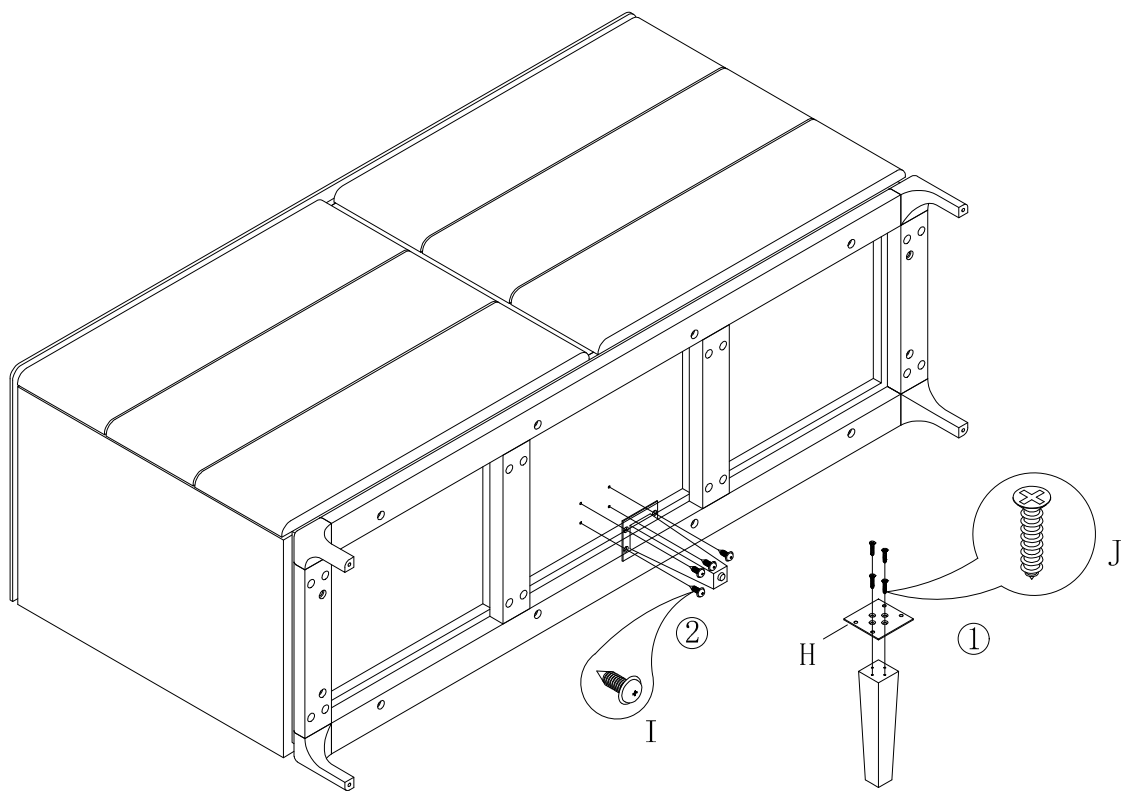
J x4
Spec: $\varnothing 3.5 \times L20$



1

2

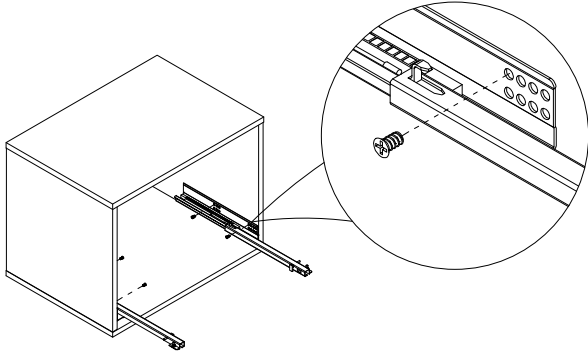




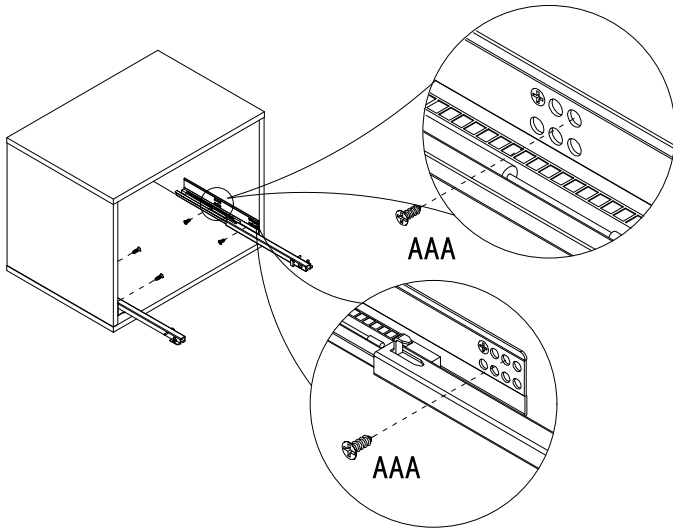
3

Drawer assembly

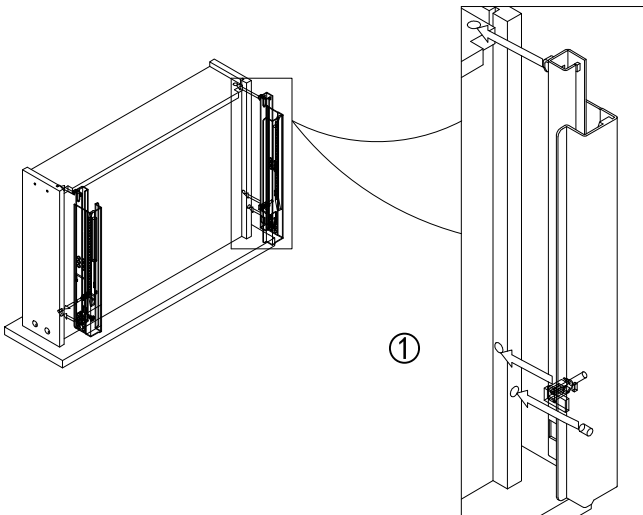
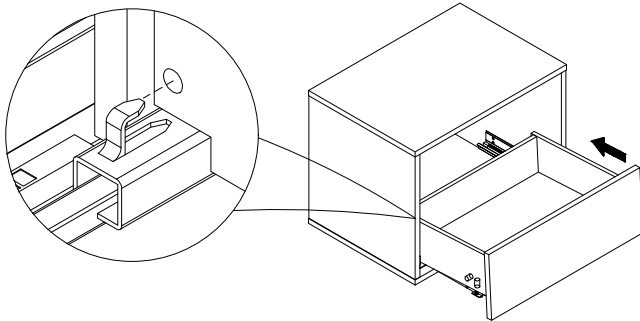
1



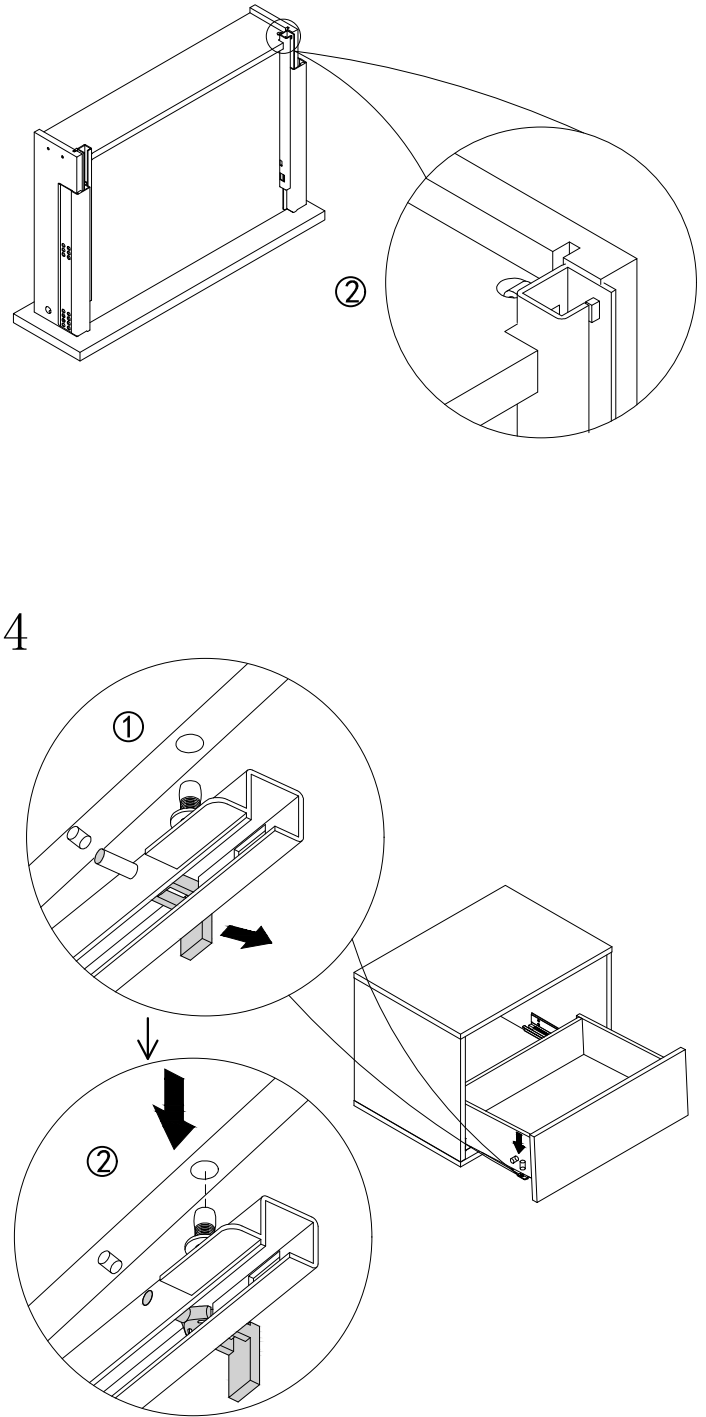
2



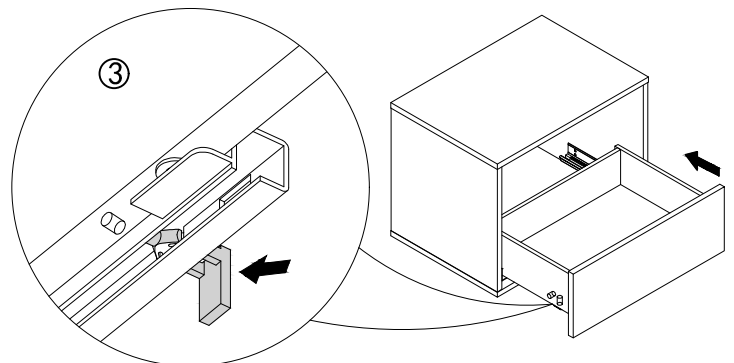
3



4

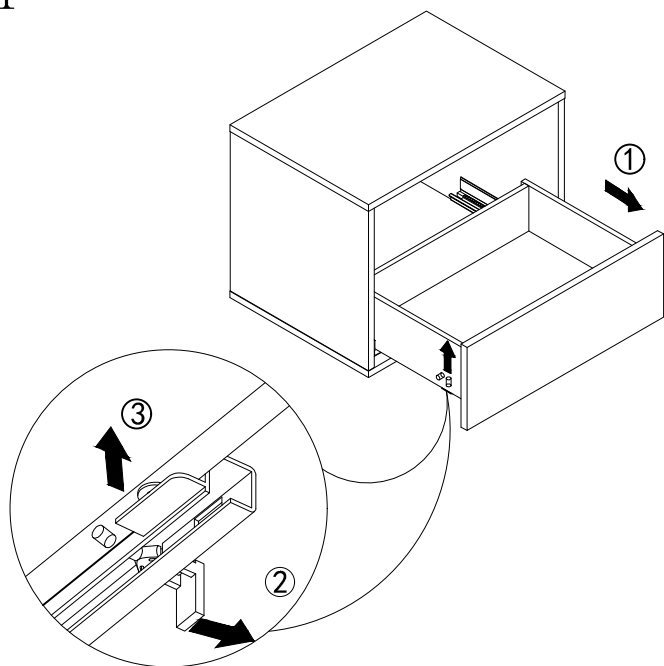


5

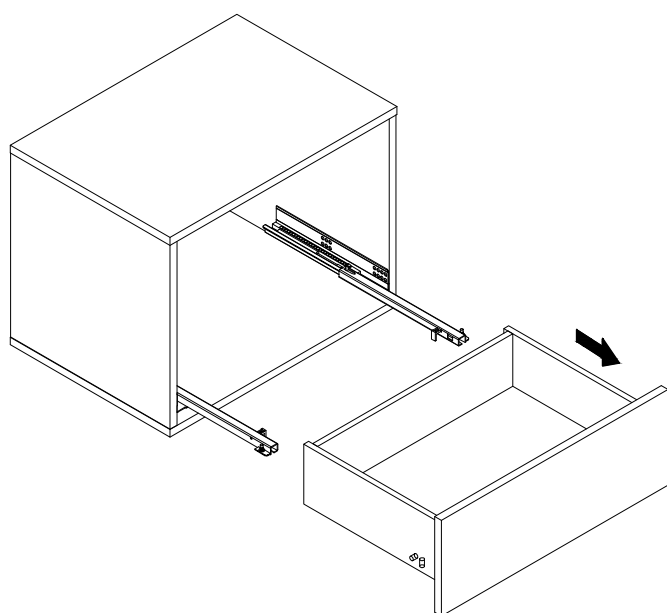


Drawer Renival

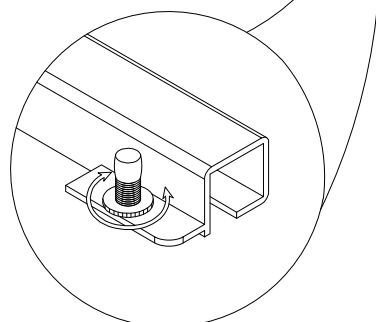
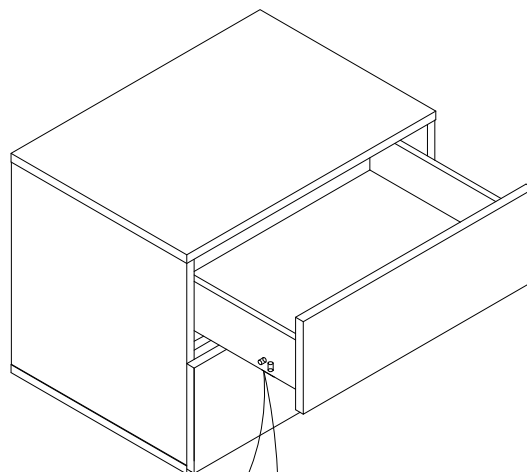
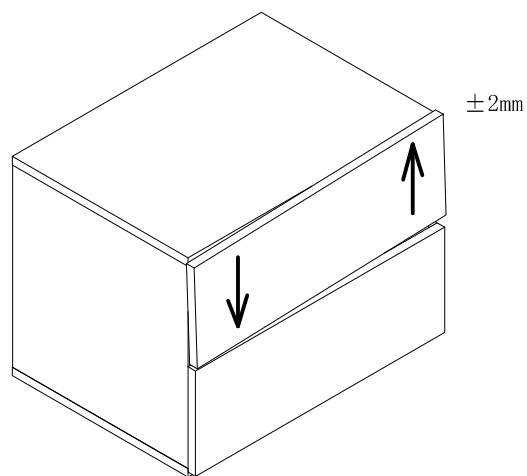
1

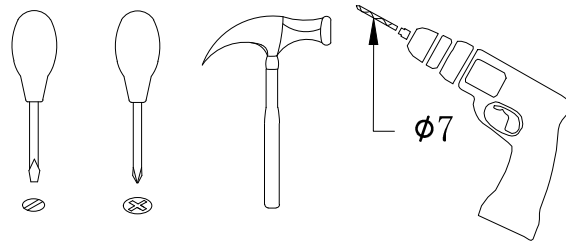




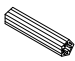
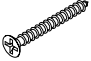
2



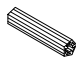



Adjustable Method





- 
 AA1 x1
 Spec: L215*W25
- 
 AA2 x1
 Spec: $\phi 3.8 * L16$
- 
 AA3 x1
 Spec: $\phi 7 * L26$
- 
 AA4 x1
 Spec: $\phi 3.8 * L32$

- 
 BB1 x2
 Spec: L215*W25
- 
 BB2 x2
 Spec: $\phi 3.8 * L16$
- 
 BB3 x2
 Spec: $\phi 7 * L26$
- 
 BB4 x2
 Spec: $\phi 3.8 * L32$

