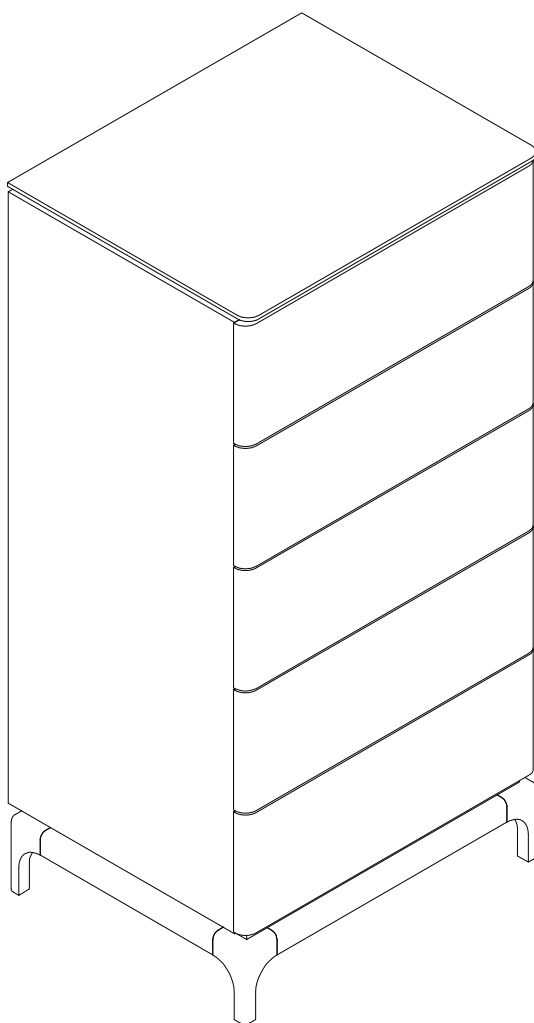


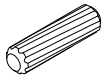
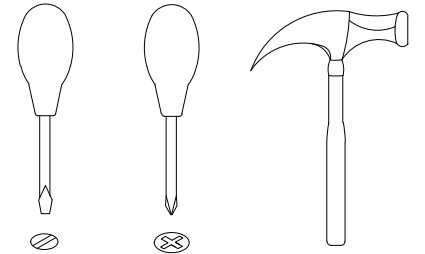
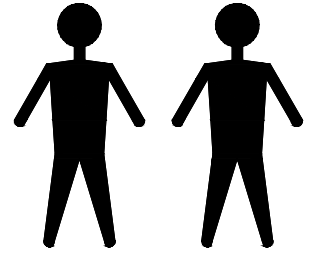


VC.VOL.TD.26.1

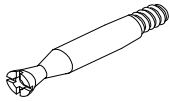


EAC

VC.VOL.TD.26.1



A x4
Spec: $\varnothing 8 \times 30$



B x8
Spec: $\varnothing 7 \times L48$



C x8
Spec: $\varnothing 15 \times H15$



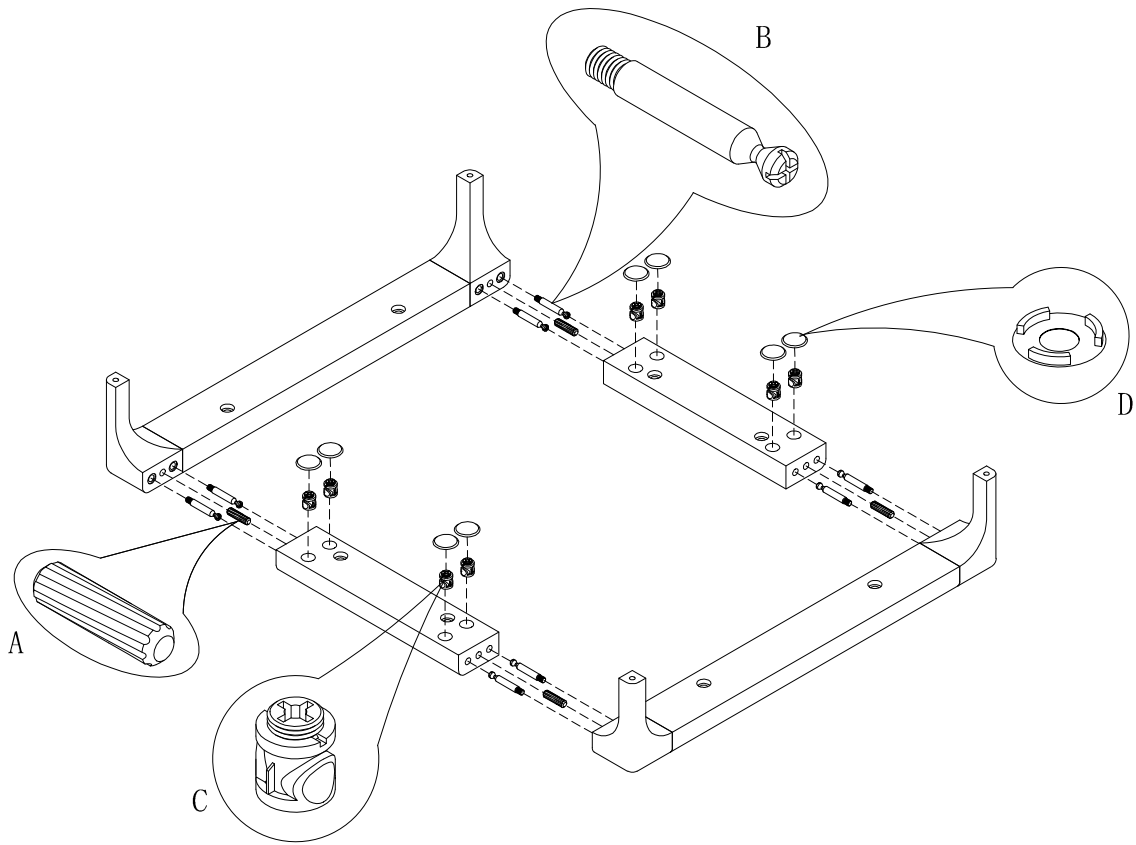
D x16
Spec:



E x8
Spec: $\varnothing 8 \times \varnothing 14$

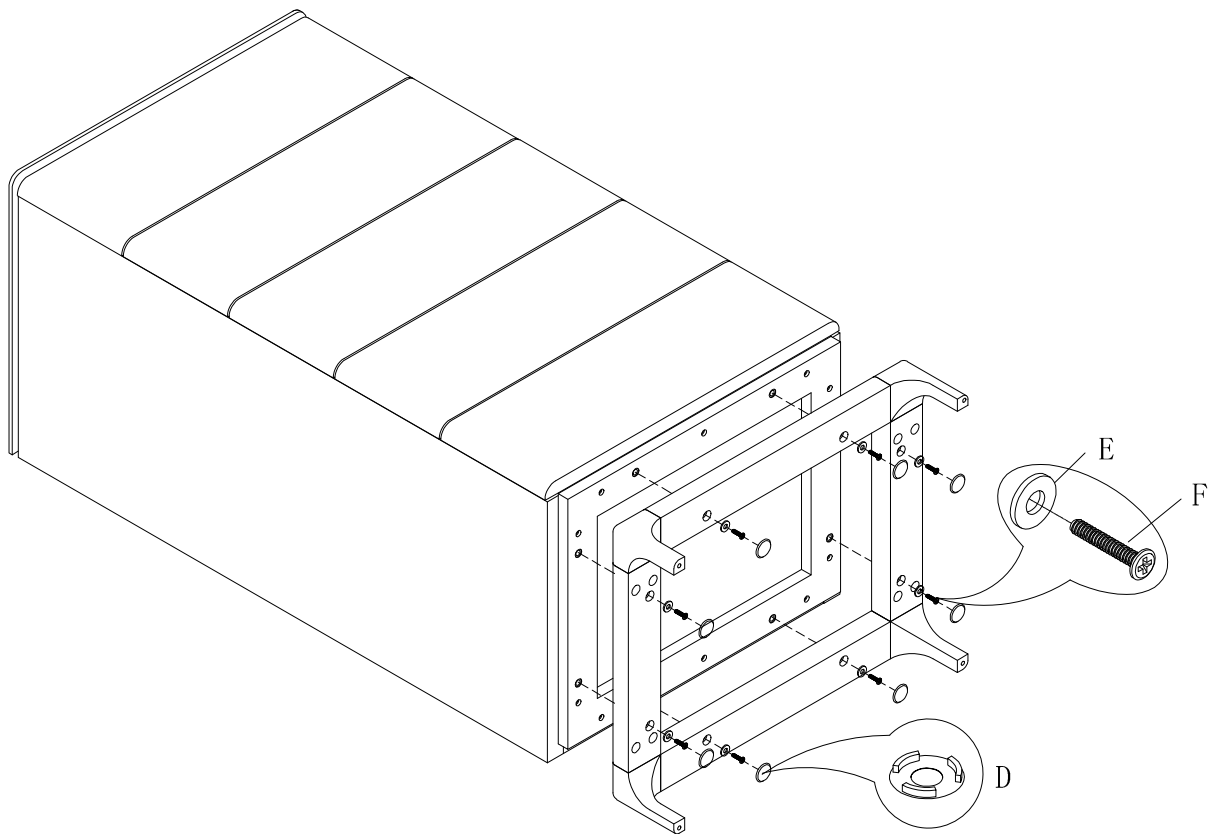


F x8
Spec: M6*35



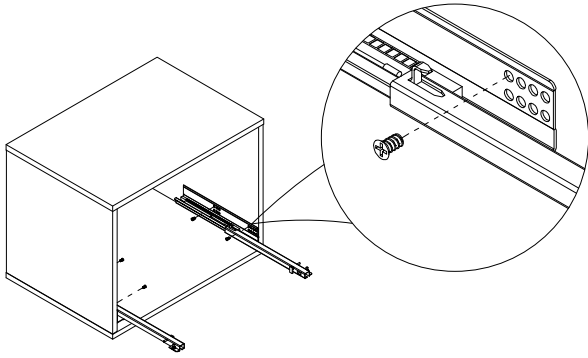
1

2

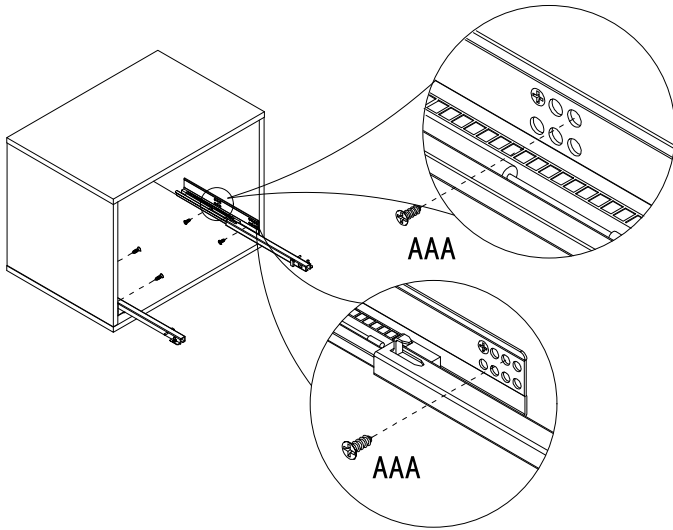


Drawer assembly

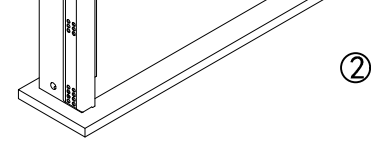
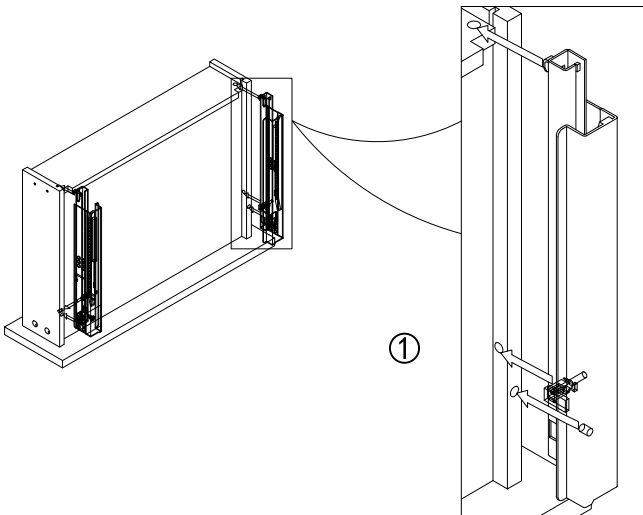
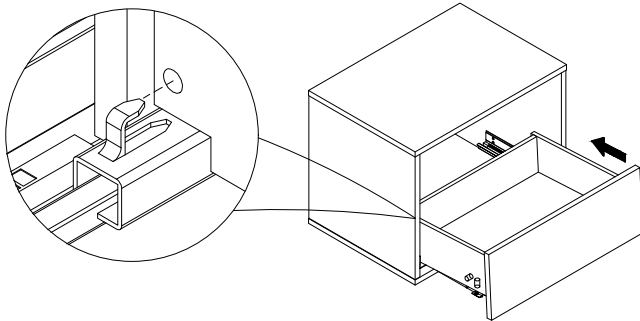
1



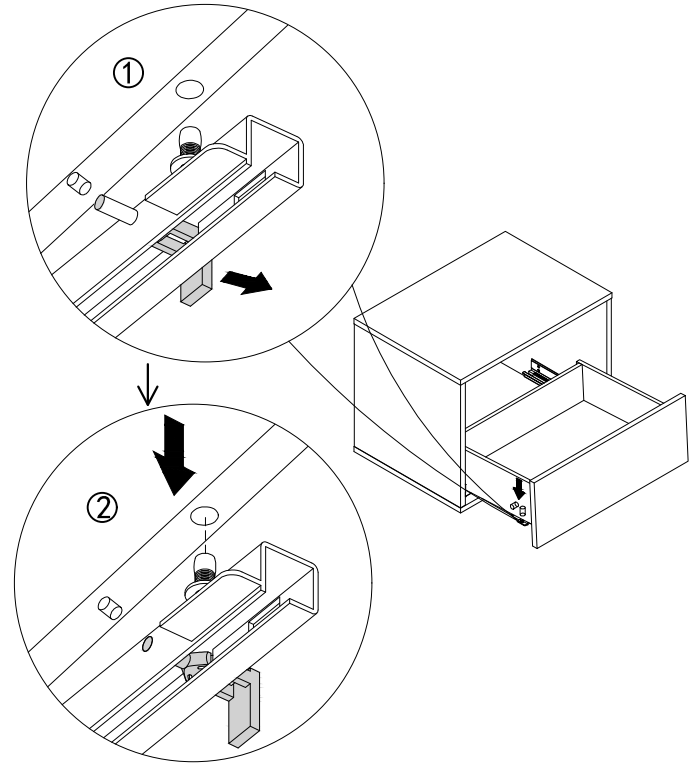
2



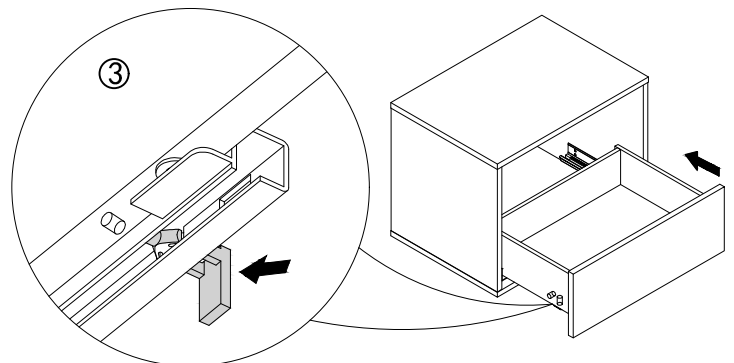
3



4

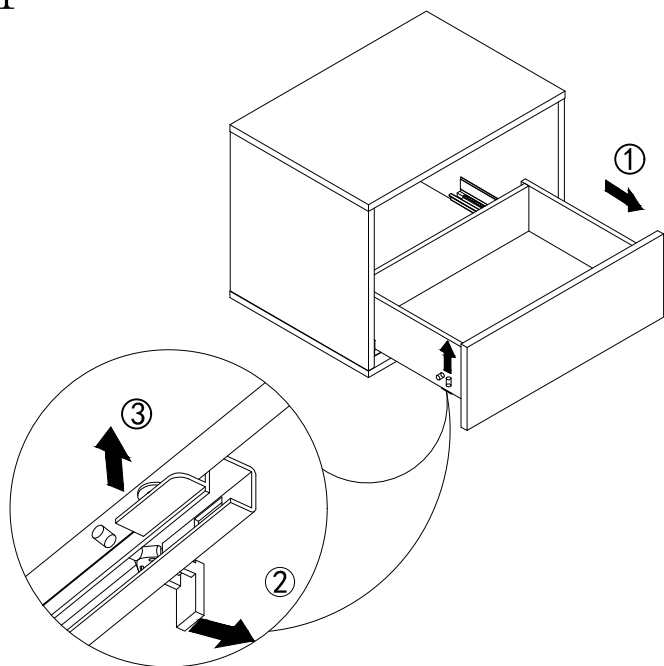


5

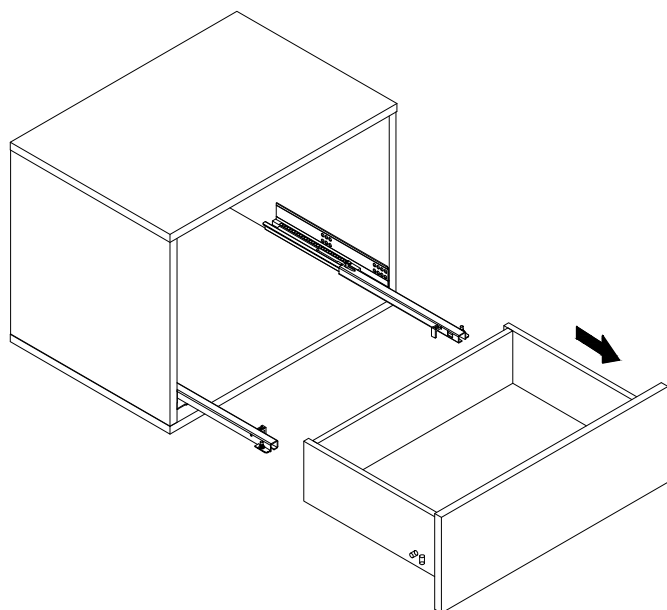


Drawer Renival

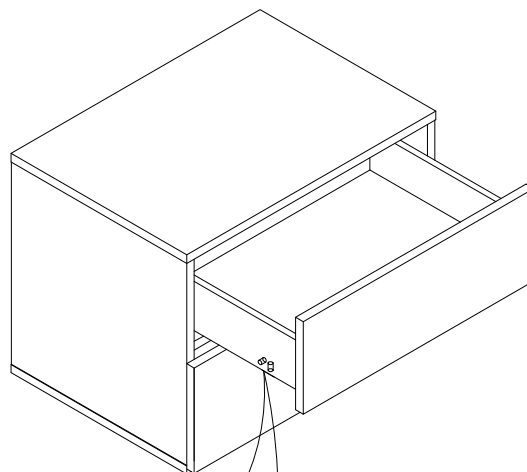
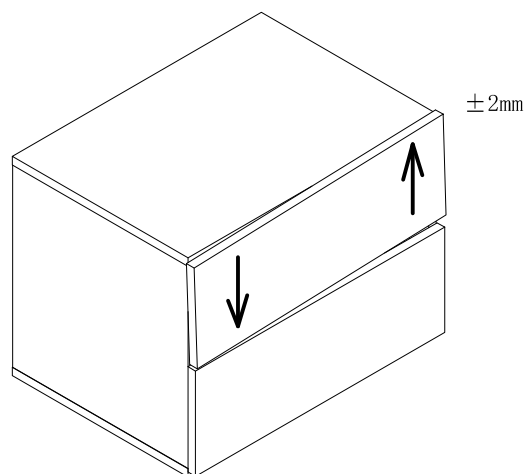
1

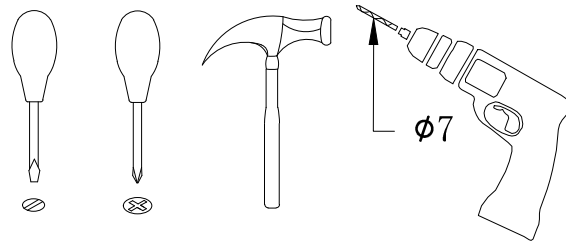




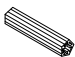

2



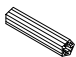



Adjustable Method





- 
AA1 x1
 Spec: L215*W25
- 
AA2 x1
 Spec: $\phi 3.8 * L16$
- 
AA3 x1
 Spec: $\phi 7 * L26$
- 
AA4 x1
 Spec: $\phi 3.8 * L32$

- 
BB1 x2
 Spec: L215*W25
- 
BB2 x2
 Spec: $\phi 3.8 * L16$
- 
BB3 x2
 Spec: $\phi 7 * L26$
- 
BB4 x2
 Spec: $\phi 3.8 * L32$

