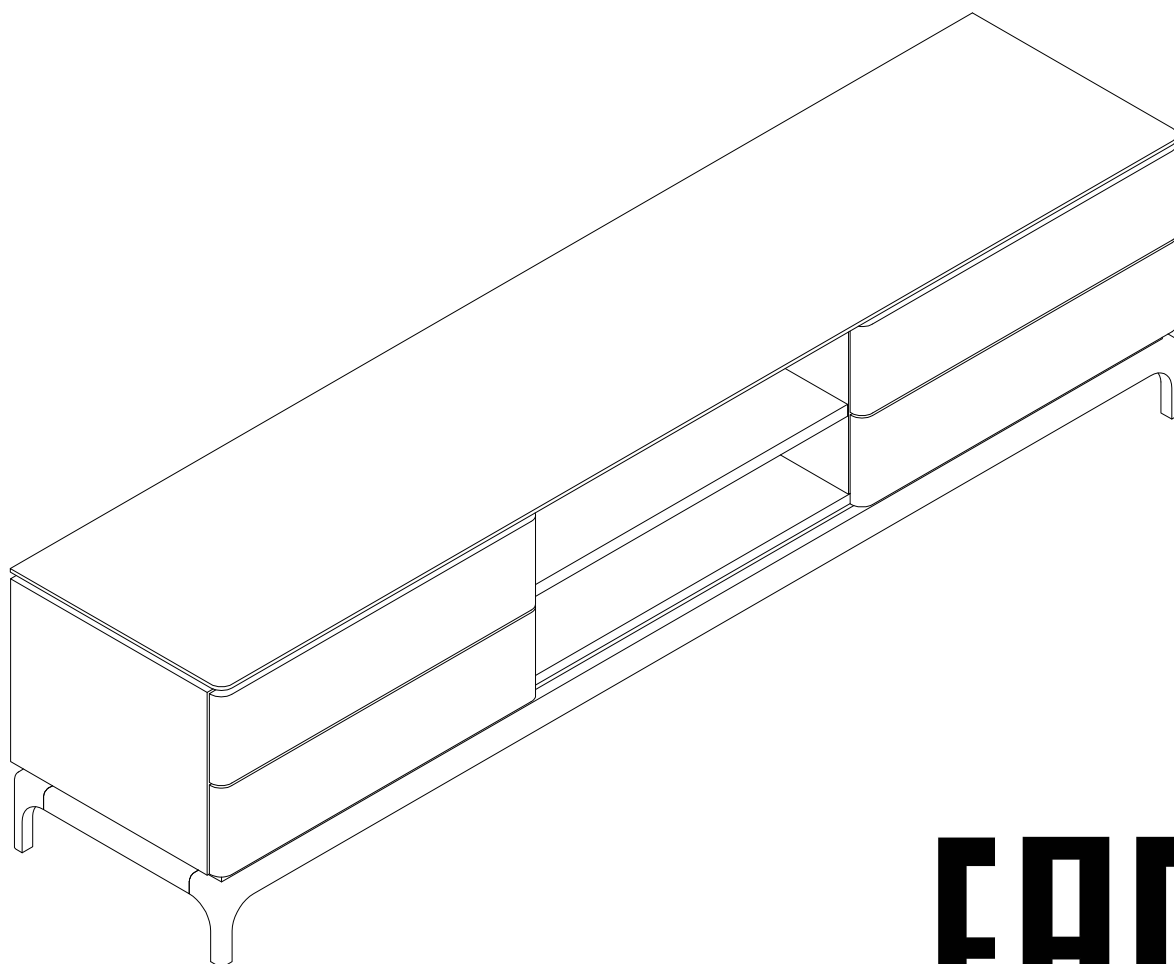


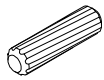
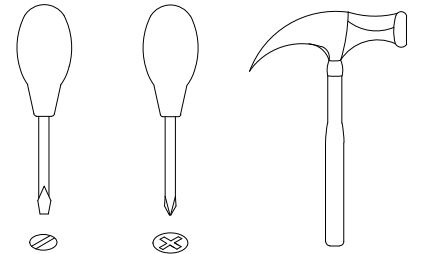
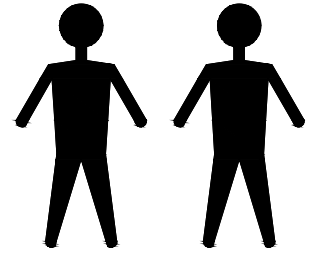


VC.VOL.TV.16.1

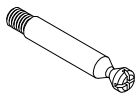


EAC

VC.VOL.TV.16.1



A x6
Spec: $\varnothing 8 \times 30$



B x12
Spec: $\varnothing 7 \times L48$



C x12
Spec: $\varnothing 15 \times H15$



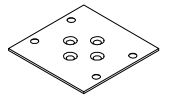
D x28
Spec:



E x16
Spec: $\varnothing 8 \times \varnothing 14$



F x16
Spec: M6*35



G x2
Spec: $78 \times 78 \times 1.8$



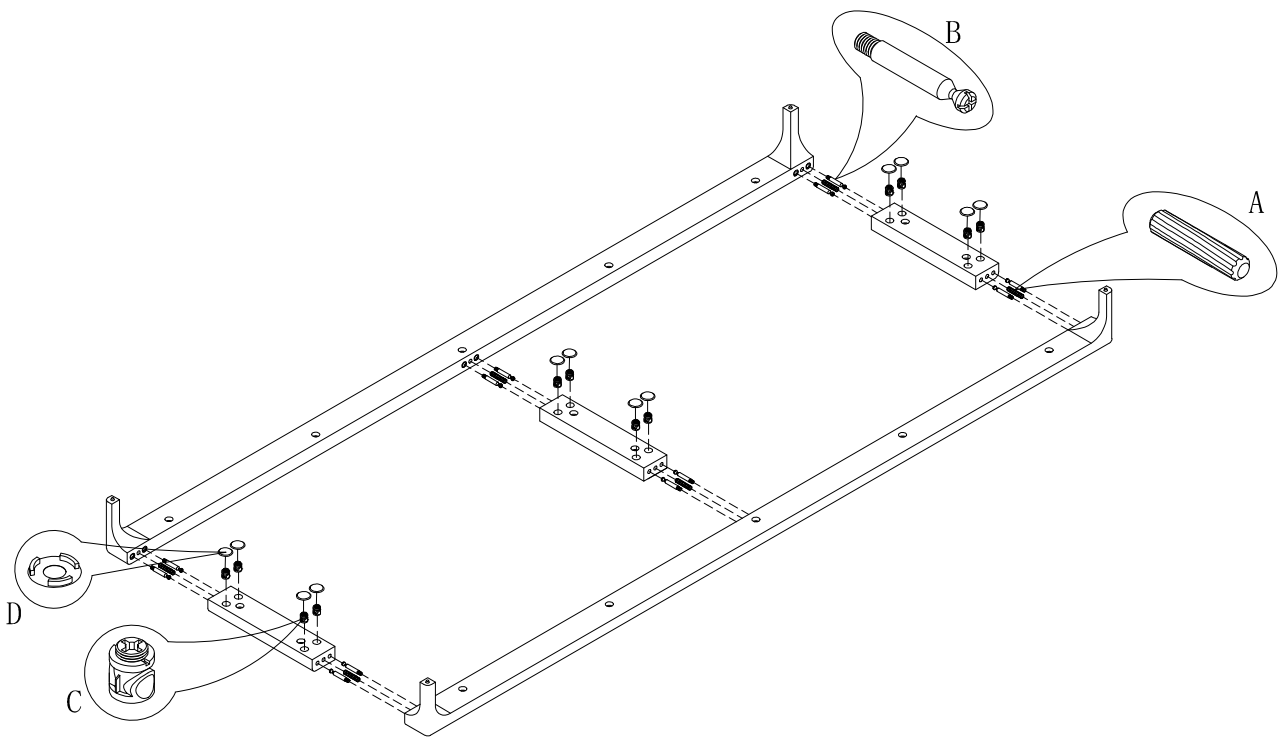
H x8
Spec: $\varnothing 4 \times L16$



I x8
Spec: $\varnothing 3.8 \times L20$

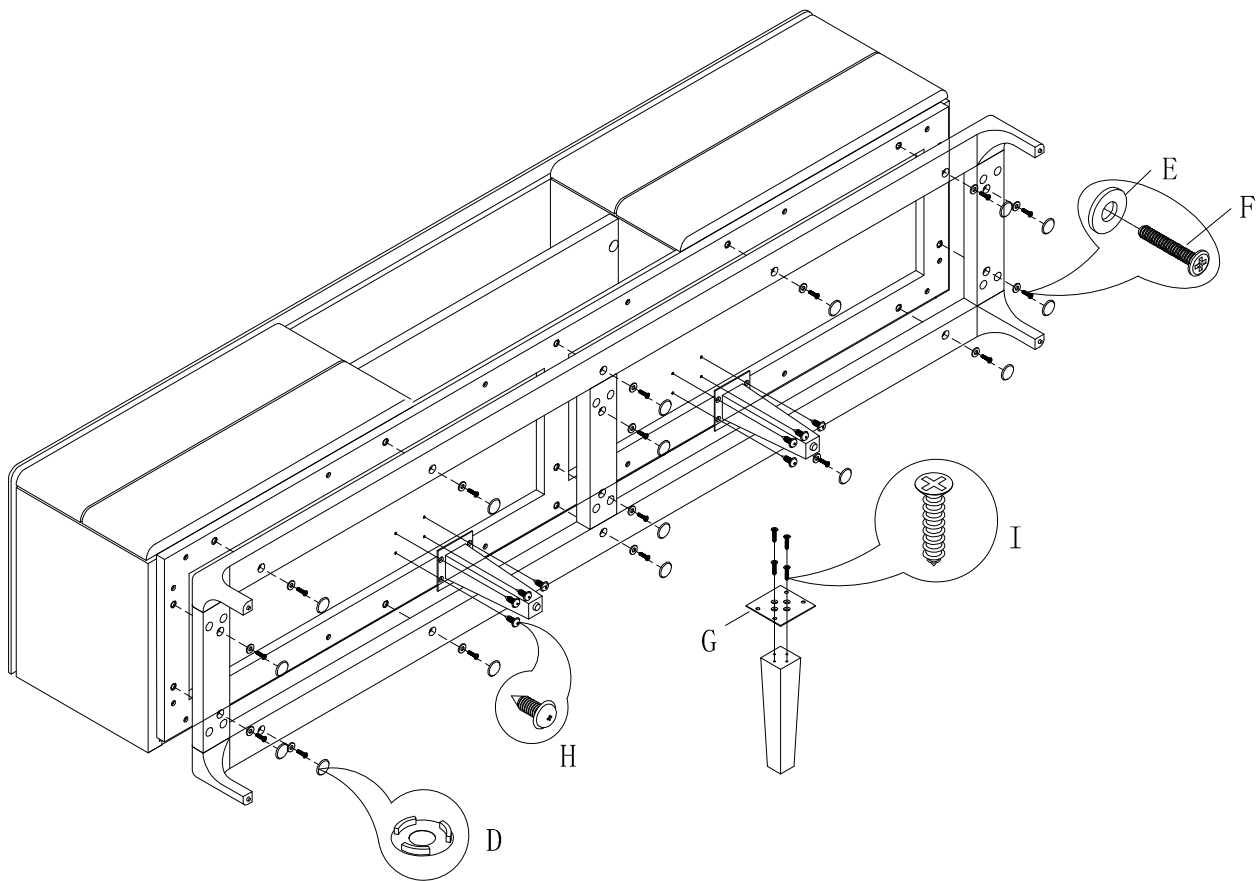


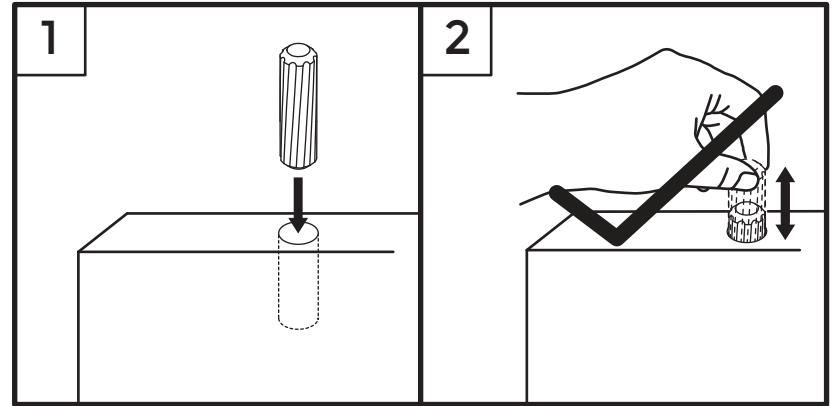
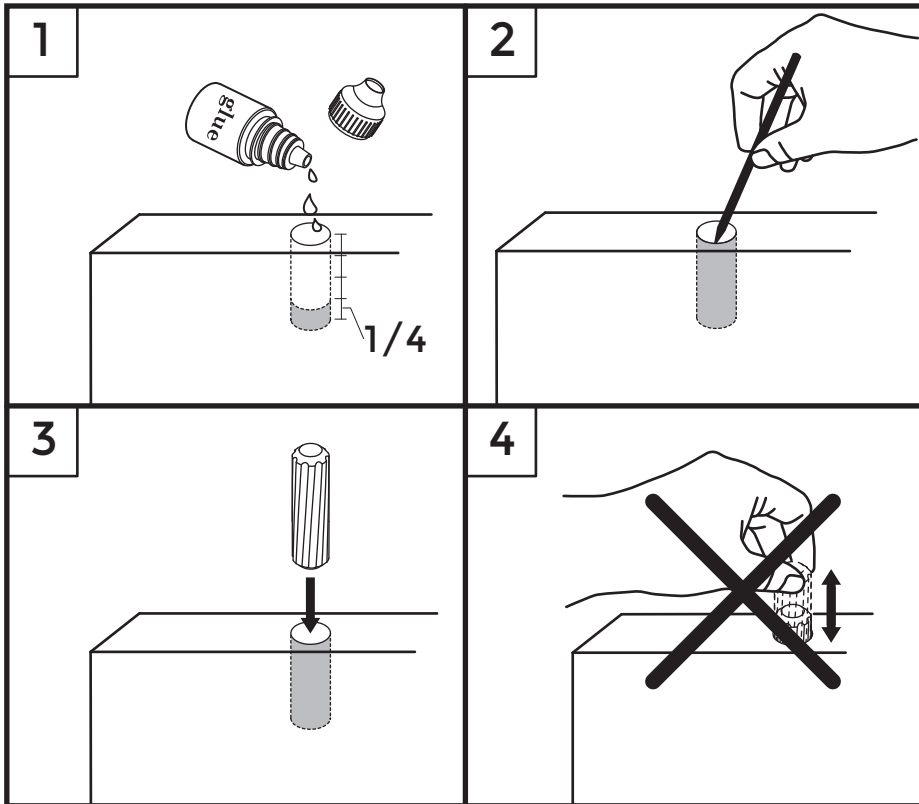
J x1
Spec: 10g



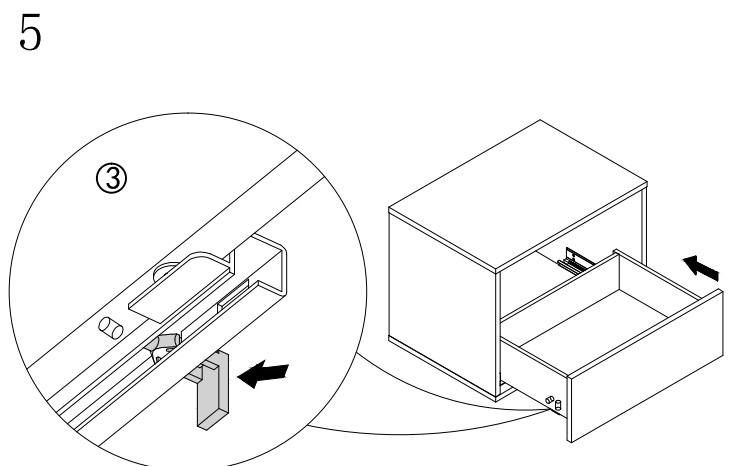
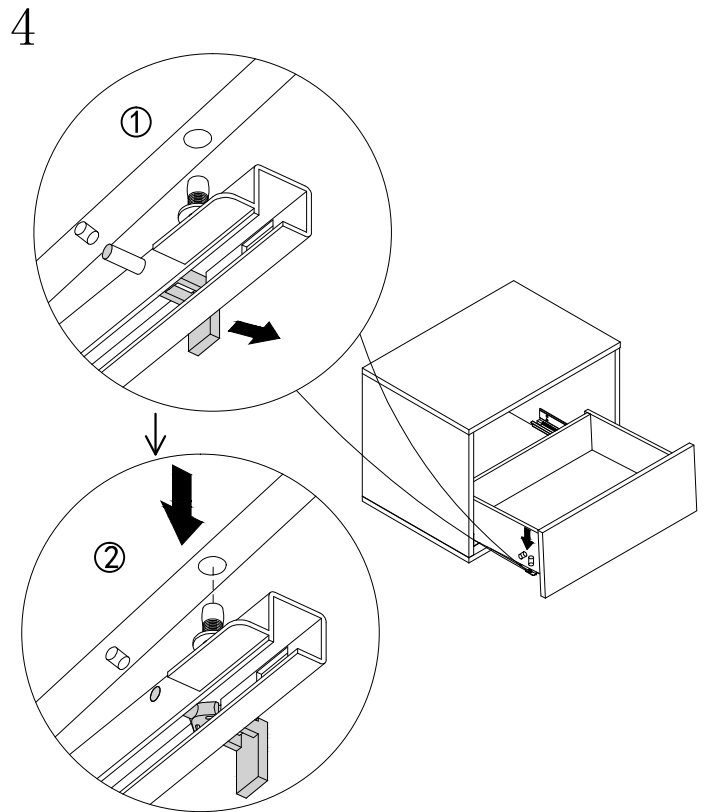
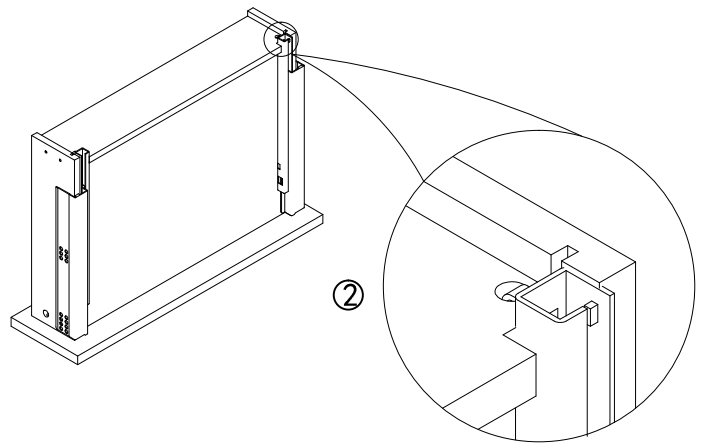
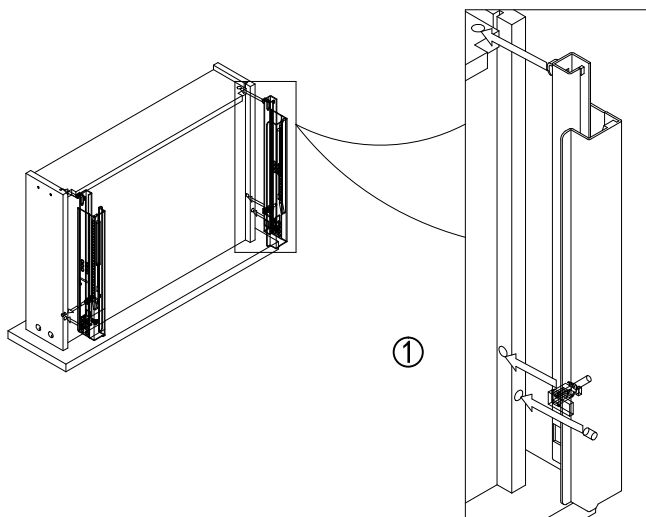
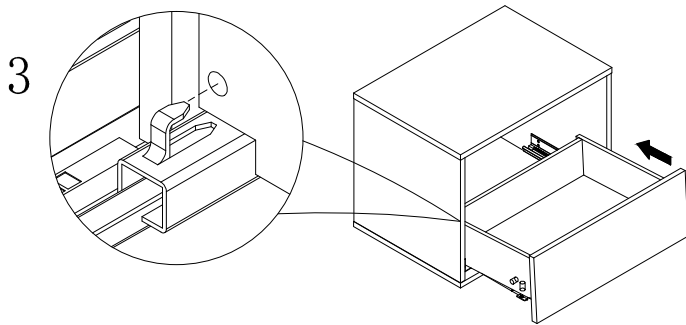
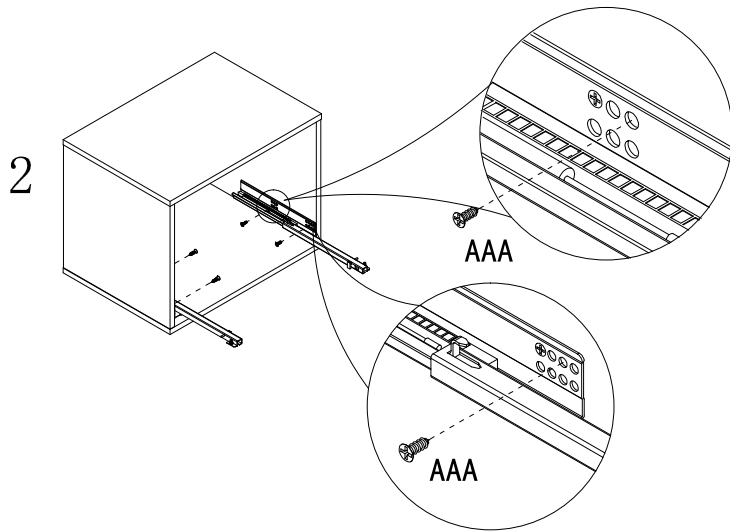
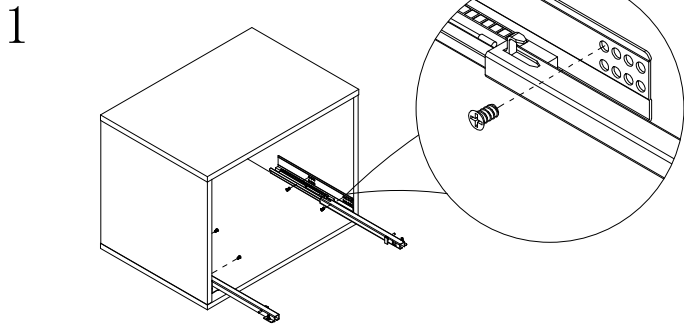
1

2



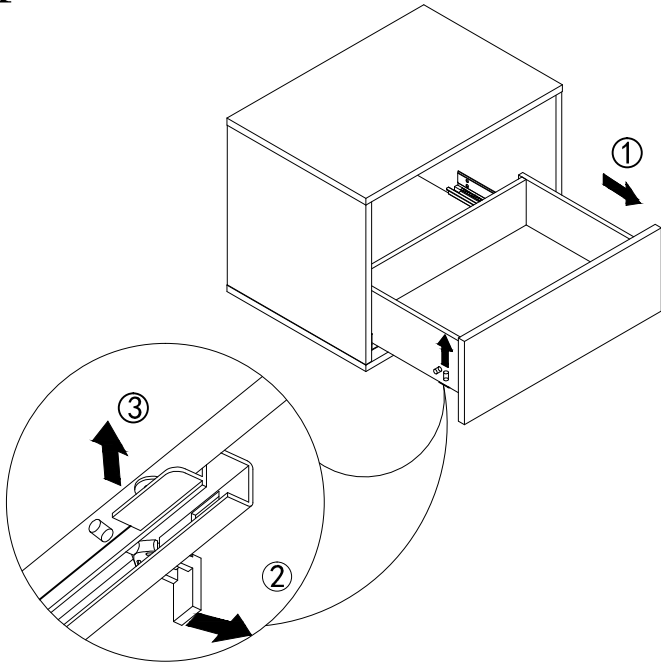


Drawer assembly

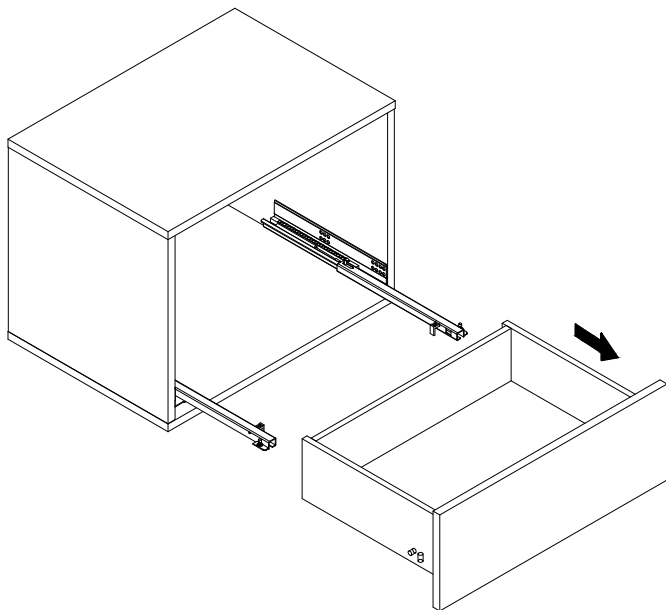


Drawer Renival

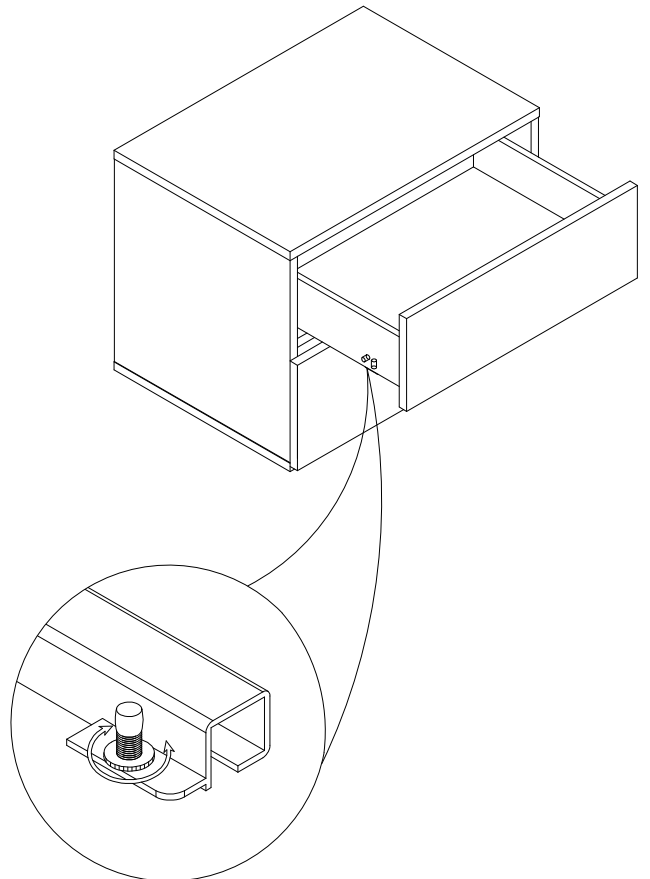
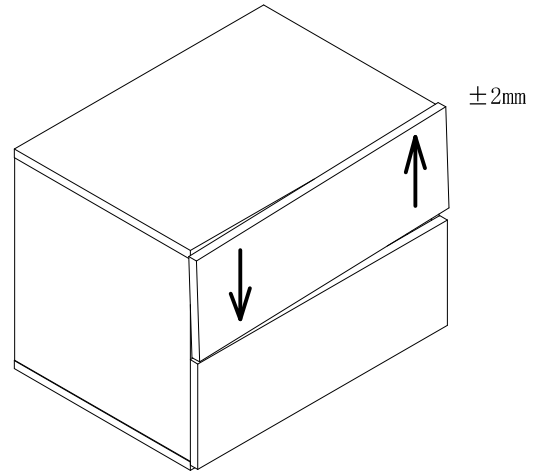
1

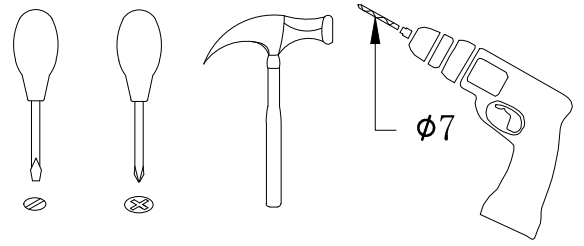




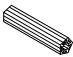

2



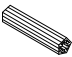



Adjustable Method





- 
 AA1 x1
 Spec: L215*W25
- 
 AA2 x1
 Spec: $\phi 3.8 * L16$
- 
 AA3 x1
 Spec: $\phi 7 * L26$
- 
 AA4 x1
 Spec: $\phi 3.8 * L32$

- 
 BB1 x2
 Spec: L215*W25
- 
 BB2 x2
 Spec: $\phi 3.8 * L16$
- 
 BB3 x2
 Spec: $\phi 7 * L26$
- 
 BB4 x2
 Spec: $\phi 3.8 * L32$

