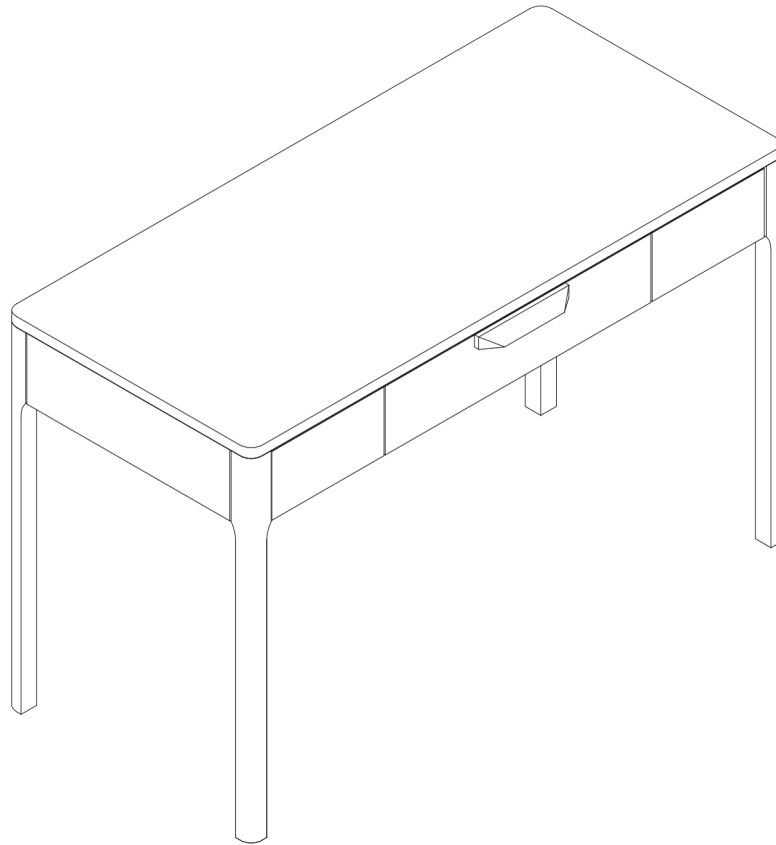


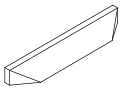
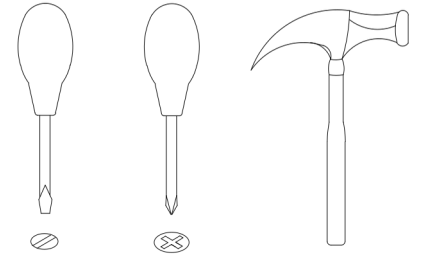
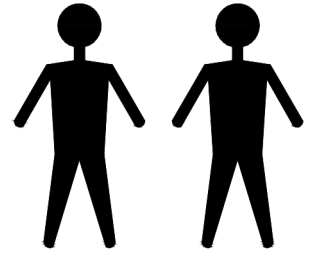


VC.AML.CT.110.1

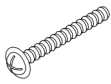


EAC

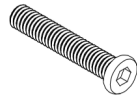
VC.AML.CT.110.1



A x1
Spec:



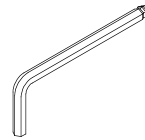
B x2
Spec:M4*L21



C x10
Spec: 5/16*35



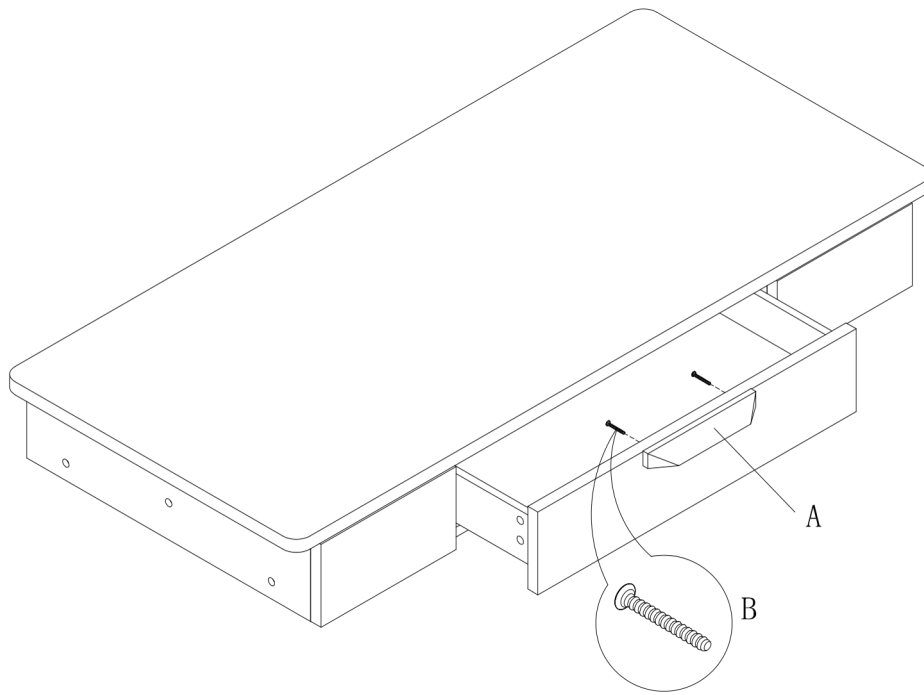
D x10
Spec:Ø8*Ø14



E x1
Spec:5#



F x10
Spec:



1

2

